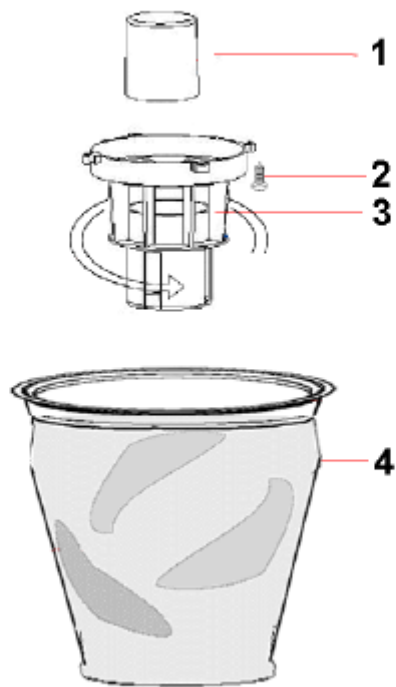
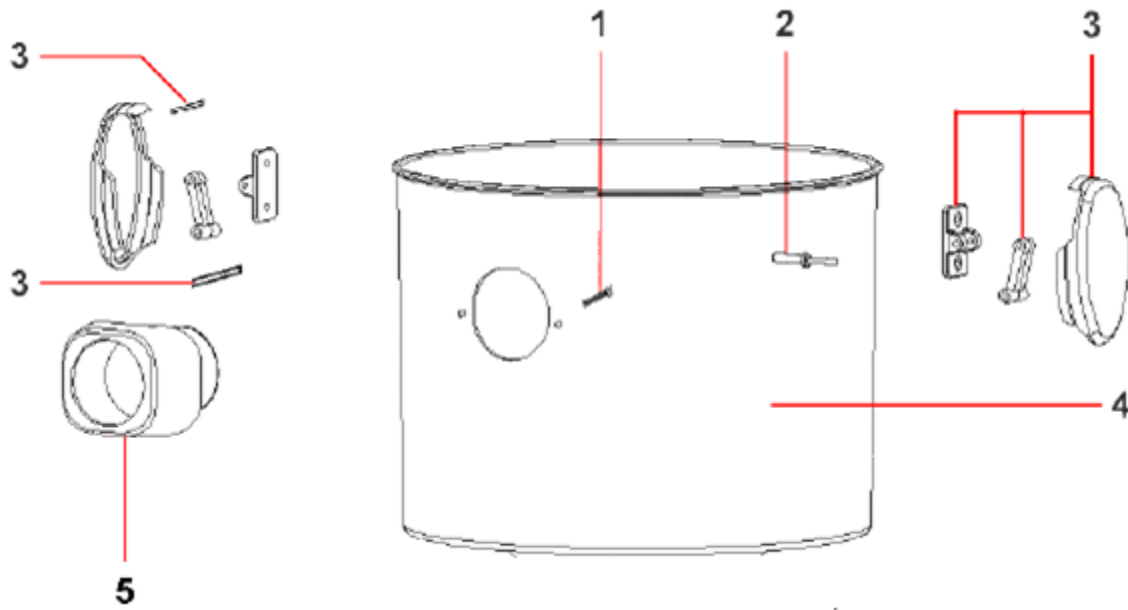


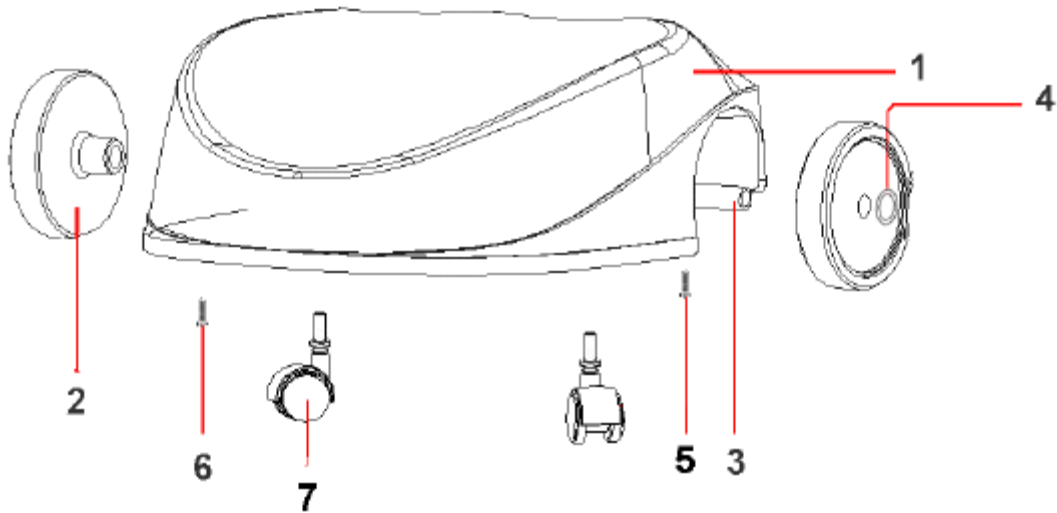
HEAD				
POS.	COD.	DESCRIPTION	DESCRIPTION	Q.TY
1	50359	Vite ATF TC 5x16 Z.N.	Self Tipping Screw 5x16 ZN	4
2	51269	INTERRUTTORE	Red Light Switch 2P	1
3	51448	Maniglia D. 320	Esat Handle D. 320	1
4	50335	Fermacavo	Cablefix	1
5	51449	Kit Mors. Alim.	Terminal board 2 poles	1
6	50331	Logo	Trademark AR f.to 59x31,5	1
7	50334	VITE 5x25 TC ZN	Self Tipping Screw 5x25 TC ZN	4
8	51450	CoperchioD. 300	Black Esat Cover D. 300	1
9	50334	VITE 5x25 TC ZN	Self Tipping Screw 5x25 TC ZN	6
10	51451	CAVO H05 2x0,75mm ² L=3,0mt	Electric cable H05 2x0,75mm ² L=3,0mt	1
11	50403	Coprimotore D. 345	Motor Cover D. 345	1
12	50347	RONDELLA H=8 Ø85x65mm	Ring Washer H=8 Ø85x65mm	1
13	50334	VITE 5x25 TC ZN	Self Tipping Screw 5x25 TC ZN	6
14	50405	Fermamotore D. 336	Black Motor Holder D. 336	1
15	51452	GUARNIZIONE s/f h=10	"L" Gasket s/f h=10	1
16	51268	Motore 1stage P1050/1250W	Motor by-pass 1stage P1050/1250W - PC25 Slim	1
17	51453	GUARNIZIONE s/f h=10	"L" Gasket s/f h=10	1
18	51454	Basamento Motore D. 436	Single Stage Motor Base D. 436	1
19	50408	Guarnizione testa/fusto	Head/Tank Gasket SBR diam. 339x280x3	1
20	50334	VITE 5x25 TC ZN	Self Tipping Screw 5x25 TC ZN	2
21	50348	DISTANZIALE MOTORE H=20	Motor plastic spacer ring H=20	1
22	51455	DISTANZIALE MOTORE H=27	Motor plastic spacer ring H=27	1



GRUPPO FILTRANTE WET/DRY				
POS.	COD.	DESCRIZIONE	DESCRIZIONE	Q.TA'
1	50364	Galleggiante	Float Ø80	1
2	50359	VITE 5x16 FLL	Self Tipping Screw 5x16 FLL	4
3	50366	Portagalleggiante	Float Supporting Ø168	1
4	51161	Filtro poliestere Ø34	Polyester Little Filter with Ring Ø34	1



PLASTIC TANK H=250				
POS.	COD.	DESCRIPTION	DESCRIPTION	Q.TY
1	50334	Vite ATF TC 5x25 Z.N.	Self Tipping Screw 5x25 TC ZN	2
2	51456	Rivet 4,8x17	Rivet 4,8x15	4
3	50375	GANCIO A SCATTO	Spring Hook	2
4	51457	FUSTO	Tank H=250	1
5	51458	Bocchettone d'entrata	Inlet	1



TROLLEY				
POS.	COD.	DESCRIPTION	DESCRIPTION	Q.TY
1	51267	Corpo carrello	Body Trolley 361x370 Esat	1
2	51459	RUOTA Ø125	Black Wheel Ø125	2
3	51315	ASSALE D.16 L=360mm	Plastic Wheel Stand D.16 L=360mm	1
4	51460	FERMO D.16	Black Wheel Stopper D.16	2
5	51461	VITE 5x30 TC ZN	Self Tipping Screw 5x30 TC ZN	2
6	50359	VITE 5x16 ZN	Self Tipping Screw 5x30 TC ZN	4
7	51377	RUOTA GEMELLATA Ø35	Complete Black Twin Wheel Ø35	2