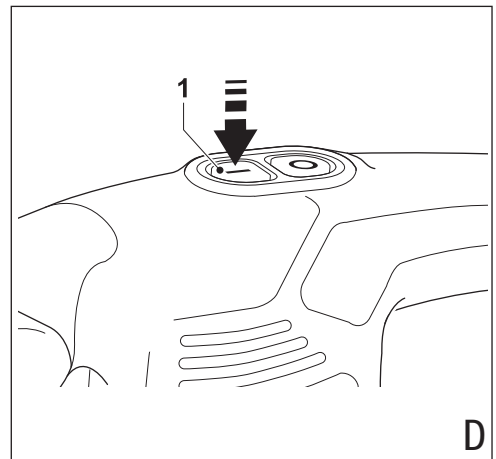
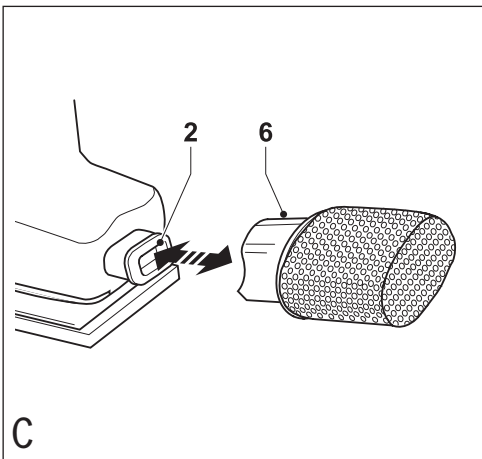
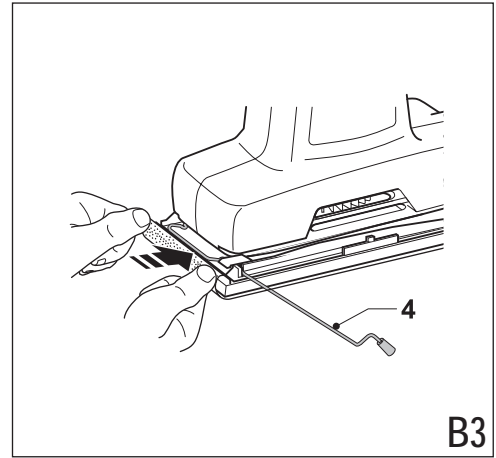
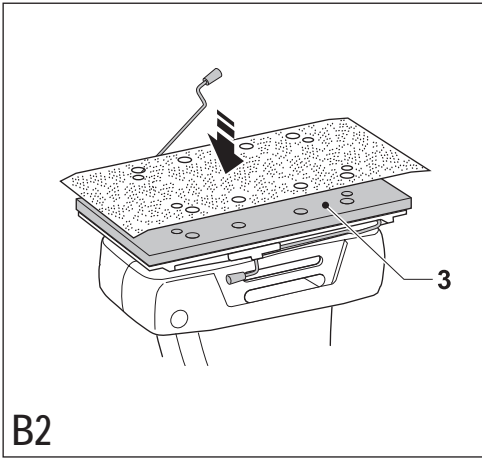
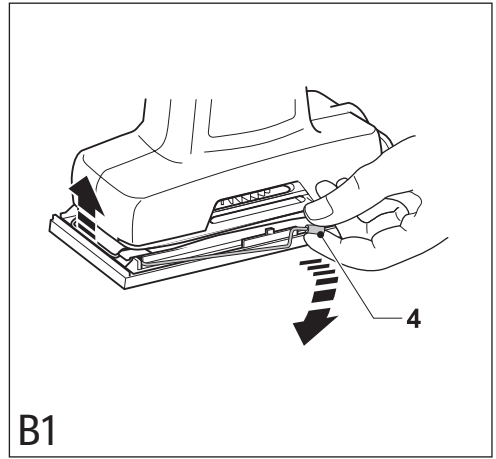
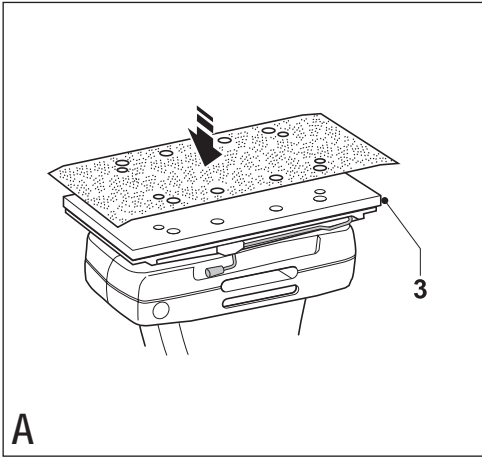
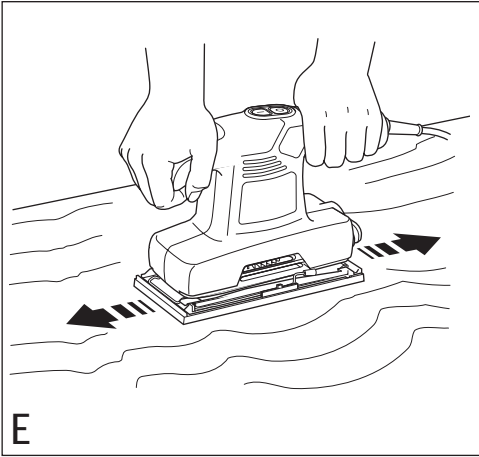


KA310
KA320E

English	(Original instructions)	5
Deutsch	(Übersetzung der Originalanleitung)	10
Français	(Traduction des instructions d'origine)	16
Italiano	(Traduzione delle istruzioni originali)	21
Nederlands	(Vertaling van de originele instructies)	26
Español	(Traducción de las instrucciones originales)	31
Português	(Tradução das instruções originais)	37
Svenska	(Översättning av de ursprungliga anvisningarna)	43
Norsk	(Oversettelse av de opprinnelige instruksjonene)	48
Dansk	(Oversættelse af de originale instruktioner)	53
Suomi	(Alkuperäisten ohjeiden käännös)	58
Ελληνικά	(Μετάφραση των αρχικών οδηγιών)	63





Intended use

Your Black & Decker sander has been designed for sanding wood, metal, plastics and painted surfaces. This tool is intended for consumer use only.

Safety instructions

General power tool safety warnings



Warning! Read all safety warnings and all instructions. Failure to follow the warnings and instructions listed below may result in electric shock, fire and/or serious injury.

Save all warnings and instructions for future reference.

The term "power tool" in all of the warnings listed below refers to your mains operated (corded) power tool or battery operated (cordless) power tool.

1. **Work area safety**
 - a. **Keep work area clean and well lit.** Cluttered or dark areas invite accidents.
 - b. **Do not operate power tools in explosive atmospheres, such as in the presence of flammable liquids, gases or dust.** Power tools create sparks which may ignite the dust or fumes.
 - c. **Keep children and bystanders away while operating a power tool.** Distractions can cause you to lose control.
2. **Electrical safety**
 - a. **Power tool plugs must match the outlet. Never modify the plug in any way.** Do not use any adapter plugs with earthed (grounded) power tools. Unmodified plugs and matching outlets will reduce risk of electric shock.
 - b. **Avoid body contact with earthed or grounded surfaces such as pipes, radiators, ranges and refrigerators.** There is an increased risk of electric shock if your body is earthed or grounded.
 - c. **Do not expose power tools to rain or wet conditions.** Water entering a power tool will increase the risk of electric shock.
 - d. **Do not abuse the cord. Never use the cord for carrying, pulling or unplugging the power tool. Keep cord away from heat, oil, sharp edges or moving parts.** Damaged or entangled cords increase the risk of electric shock.
 - e. **When operating a power tool outdoors, use an extension cord suitable for outdoor use.** Use of a cord suitable for outdoor use reduces the risk of electric shock.
 - f. **If operating a power tool in a damp location is unavoidable, use a residual current device (RCD) protected supply.** Use of an RCD reduces the risk of electric shock.
3. **Personal safety**
 - a. **Stay alert, watch what you are doing and use common sense when operating a power tool. Do not use a power tool while you are tired or under the influence of drugs, alcohol or medication.** A moment of inattention while operating power tools may result in serious personal injury.
 - b. **Use personal protective equipment. Always wear eye protection.** Protective equipment such as dust mask, non-skid safety shoes, hard hat, or hearing protection used for appropriate conditions will reduce personal injuries.
 - c. **Prevent unintentional starting. Ensure the switch is in the off-position before connecting to power source and/or battery pack, picking up or carrying the tool.** Carrying power tools with your finger on the switch or energising power tools that have the switch on invites accidents.
 - d. **Remove any adjusting key or wrench before turning the power tool on.** A wrench or a key left attached to a rotating part of the power tool may result in personal injury.
 - e. **Do not overreach. Keep proper footing and balance at all times.** This enables better control of the power tool in unexpected situations.
 - f. **Dress properly. Do not wear loose clothing or jewellery. Keep your hair, clothing and gloves away from moving parts.** Loose clothes, jewellery or long hair can be caught in moving parts.
 - g. **If devices are provided for the connection of dust extraction and collection facilities, ensure these are connected and properly used.** Use of dust collection can reduce dust-related hazards.
4. **Power tool use and care**
 - a. **Do not force the power tool. Use the correct power tool for your application.** The correct power tool will do the job better and safer at the rate for which it was designed.
 - b. **Do not use the power tool if the switch does not turn it on and off.** Any power tool that cannot be controlled with the switch is dangerous and must be repaired.
 - c. **Disconnect the plug from the power source and/or the battery pack from the power tool before making any adjustments, changing accessories, or storing power tools.** Such preventive safety measures reduce the risk of starting the power tool accidentally.
 - d. **Store idle power tools out of the reach of children and do not allow persons unfamiliar with the power tool or these instructions to operate the power tool.** Power tools are dangerous in the hands of untrained users.
 - e. **Maintain power tools. Check for misalignment or binding of moving parts, breakage of parts and any other condition that may affect the power tools operation. If damaged, have the power tool repaired before use.** Many accidents are caused by poorly maintained power tools.

- f. **Keep cutting tools sharp and clean.** Properly maintained cutting tools with sharp cutting edges are less likely to bind and are easier to control.
 - g. **Use the power tool, accessories and tool bits etc. in accordance with these instructions, taking into account the working conditions and the work to be performed.** Use of the power tool for operations different from those intended could result in a hazardous situation.
5. Service
- a. **Have your power tool serviced by a qualified repair person using only identical replacement parts.** This will ensure that the safety of the power tool is maintained.

Additional power tool safety warnings



Warning! Additional safety warnings for sanders

- ◆ **Hold the power tool by insulated gripping surfaces, because the sanding belt / sanding base may contact its own cord.** Cutting a "live" wire may make exposed metal parts of the power tool "live" could give the operator an electric shock.
- ◆ **Use clamps or another practical way to secure and support the workpiece to a stable platform.** Holding the work by hand or against your body leaves it unstable and may lead to loss of control.
- ◆ **Warning!** Contact with or inhalation of dusts arising from sanding applications may endanger the health of the operator and possible bystanders. Wear a dust mask specifically designed for protection against dust and fumes and ensure that persons within or entering the work area are also protected.
- ◆ Thoroughly remove all dust after sanding.
- ◆ Take special care when sanding paint which is possibly lead based or when sanding some woods and metal which may produce toxic dust:
 - Do not let children or pregnant women enter the work area.
 - Do not eat, drink or smoke in the work area.
 - Dispose of dust particles and any other debris safely.
- ◆ This tool is not intended for use by persons (including children) with reduced physical, sensory or mental capabilities, or lack of experience and knowledge, unless they have been given supervision or instruction concerning use of the appliance by a person responsible for their safety. Children should be supervised to ensure that they do not play with the appliance.
- ◆ The intended use is described in this instruction manual. The use of any accessory or attachment or performance of any operation with this tool other than those recommended

in this instruction manual may present a risk of personal injury and/or damage to property.

Safety of others

- ◆ This appliance is not intended for use by persons (including children) with reduced physical, sensory or mental capabilities, or lack of experience and knowledge, unless they have been given supervision or instruction concerning use of the appliance by a person responsible for their safety.
- ◆ Children should be supervised to ensure that they do not play with the appliance.

Residual risks.

Additional residual risks may arise when using the tool which may not be included in the enclosed safety warnings. These risks can arise from misuse, prolonged use etc.

Even with the application of the relevant safety regulations and the implementation of safety devices, certain residual risks can not be avoided. These include:

- ◆ **Injuries caused by touching any rotating/moving parts.**
- ◆ **Injuries caused when changing any parts, blades or accessories.**
- ◆ **Injuries caused by prolonged use of a tool. When using any tool for prolonged periods ensure you take regular breaks.**
- ◆ **Impairment of hearing.**
- ◆ **Health hazards caused by breathing dust developed when using your tool (example:- working with wood, especially oak, beech and MDF.)**

Vibration

The declared vibration emission values stated in the technical data and the declaration of conformity have been measured in accordance with a standard test method provided by EN 60745 and may be used for comparing one tool with another. The declared vibration emission value may also be used in a preliminary assessment of exposure.

Warning! The vibration emission value during actual use of the power tool can differ from the declared value depending on the ways in which the tool is used. The vibration level may increase above the level stated.

When assessing vibration exposure to determine safety measures required by 2002/44/EC to protect persons regularly using power tools in employment, an estimation of vibration exposure should consider, the actual conditions of use and the way the tool is used, including taking account of all parts of the operating cycle such as the times when the tool is switched off and when it is running idle in addition to the trigger time.

Labels on tool

The following pictograms are shown on the tool:



Warning! To reduce the risk of injury, the user must read the instruction manual.

Electrical safety



This tool is double insulated; therefore no earth wire is required. Always check that the power supply corresponds to the voltage on the rating plate.

- ◆ If the supply cord is damaged, it must be replaced by the manufacturer or an authorised Black & Decker Service Centre in order to avoid a hazard.

Using an extension cable

- ◆ Always use an approved extension cable suitable for the power input of this tool (see technical data). Before use, inspect the extension cable for signs of damage, wear and ageing. Replace the extension cable if damaged or defective. When using a cable reel, always unwind the cable completely. Use of an extension cable not suitable for the power input of the tool or which is damaged or defective may result in a risk of fire and electric shock.

Features

This tool includes some or all of the following features.

1. On/off switch
2. Dust extraction outlet
3. Sanding base
4. Paper clamp lever
5. Variable speed control knob

Assembly

Warning! Before assembly, make sure that the tool is switched off and unplugged.

Fitting sanding sheets (fig. A & B1 - B3)

Warning! Never use the tool without a sanding sheet or accessory in place.

Fitting sanding sheets with nylon loops (fig. A)

- ◆ Make sure that the tool is switched off and unplugged.
- ◆ Press the sheet firmly and evenly onto the sanding base (3), making sure that the holes in the sheet line up with the holes in the base.

Fitting regular sanding sheets (fig. B1 - B3)

- ◆ Make sure that the tool is switched off and unplugged.
- ◆ Soften the sanding sheet by rubbing its non-abrasive side over the edge of a worktop.

- ◆ Press the paper clamp levers (4) upwards to release them from the retaining grooves and open the paper clamps by pressing them down (fig. B1).
- ◆ Place the sheet onto the sanding base (3), making sure that the holes in the sheet line up with the holes in the base (fig. B2).
- ◆ Insert the edge of the sanding sheet into the front paper clamp as shown (fig. B3).
- ◆ Press the front paper clamp lever (4) downwards and locate it in the retaining groove.
- ◆ While keeping a slight tension on the sheet, insert the rear edge of the sheet into the rear paper clamp.
- ◆ Press the rear paper clamp lever (4) downwards and locate it in the retaining groove.

Fitting and removing the dustbag (fig. C)

- ◆ Fit the dustbag (6) over the dust extraction outlet (2).
- ◆ Slide the dustbag onto the tool and make sure that it is securely located.
- ◆ To remove the dustbag, pull it to the rear and off the outlet.

Use

Warning! Let the tool work at its own pace. Do not overload.

KA320E - Variable speed control

The variable speed control allows you to adapt the speed of the tool to the workpiece material.

- ◆ Set the control knob (5) to the desired setting. Use a high speed for wood, medium speed for veneer and synthetics and low speed for acrylic glass, non-ferrous metals and for removing paints.

Switching on and off (fig. D)

- ◆ To switch the tool on, press the front part I of the on/off switch (1).
- ◆ To switch the tool off, press the rear part O of the on/off switch.

Emptying the dustbag (fig. C)

The dustbag (6) should be emptied every 10 minutes of use.

- ◆ Pull the dustbag (6) to the rear and off the tool.
- ◆ Hold the spout down and shake the dustbag (6) to empty the contents.
- ◆ Slide the dustbag (6) onto the tool and make sure that it is securely located.

Hints for optimum use (fig. E)

- ◆ Always hold the tool with both hands.
- ◆ Do not exert too much pressure on the tool.
- ◆ Regularly check the condition of the sanding sheet. Replace when necessary.

- ◆ Always sand with the grain of the wood.
- ◆ When sanding new layers of paint before applying another layer, use extra fine grit.
- ◆ On very uneven surfaces, or when removing layers of paint, start with a coarse grit. On other surfaces, start with a medium grit. In both cases, gradually change to a fine grit for a smooth finish.
- ◆ Consult your retailer for more information on available accessories.

Accessories

The performance of your tool depends on the accessory used. Black & Decker and Piranha accessories are engineered to high quality standards and designed to enhance the performance of your tool. By using these accessories you will get the very best from your tool.

Maintenance

Your tool has been designed to operate over a long period of time with a minimum of maintenance. Continuous satisfactory operation depends upon proper tool care and regular cleaning.

Warning! Before performing any maintenance, switch off and unplug the tool.

- ◆ Regularly clean the ventilation slots in your tool using a soft brush or dry cloth.
- ◆ Regularly clean the motor housing using a damp cloth. Do not use any abrasive or solvent-based cleaner.

Mains plug replacement (U.K. & Ireland only)

If a new mains plug needs to be fitted:

- ◆ Safely dispose of the old plug.
- ◆ Connect the brown lead to the live terminal in the new plug.
- ◆ Connect the blue lead to the neutral terminal.

Warning! No connection is to be made to the earth terminal. Follow the fitting instructions supplied with good quality plugs. Recommended fuse: 5 A.

Protecting the environment



Separate collection. This product must not be disposed of with normal household waste.

Should you find one day that your Black & Decker product needs replacement, or if it is of no further use to you, do not dispose of it with household waste. Make this product available for separate collection.



Separate collection of used products and packaging allows materials to be recycled and used again. Re-use of recycled materials helps prevent environmental pollution and reduces the demand for raw materials.

Local regulations may provide for separate collection of electrical products from the household, at municipal waste sites or by the retailer when you purchase a new product.

Black & Decker provides a facility for the collection and recycling of Black & Decker products once they have reached the end of their working life. To take advantage of this service please return your product to any authorised repair agent who will collect them on our behalf.

You can check the location of your nearest authorised repair agent by contacting your local Black & Decker office at the address indicated in this manual. Alternatively, a list of authorised Black & Decker repair agents and full details of our after-sales service and contacts are available on the Internet at: www.2helpU.com

Technical data

		KA310 Type1	KA320E Type1
Input voltage	V _{AC}	230	230
Power input	W	240	240
Oscillations (no load)	min ⁻¹	30,000	14,000 - 30,000
Orbits (no load)	min ⁻¹	15,000	7,000 - 15,000
Sanding base surface	mm	90 x 187	90 x 187
Weight	kg	1.3	1.3

Level of sound pressure according to EN 60745:
 Sound pressure (L_{PA}) 87 dB(A), uncertainty (K) 3 dB(A)
 Sound power (L_{WA}) 98 dB(A), uncertainty (K) 3 dB(A)

Vibration total values (triax vector sum) according to EN 60745:

Vibration emission value (a_h) 9.8 m/s²,
 uncertainty (K) 1,5 m/s²

EC declaration of conformity

MACHINERY DIRECTIVE



KA310/KA320E

Black & Decker declares that these products described under "technical data" are in compliance with:

2006/42/EC, EN 60745-1, EN 60745-2-4

For more information, please contact Black & Decker at the following address or refer to the back of the manual.

The undersigned is responsible for compilation of the technical file and makes this declaration on behalf of Black & Decker.

Kevin Hewitt
 Vice-President Global Engineering
 Black & Decker Europe, 210 Bath Road, Slough,
 Berkshire, SL1 3YD
 United Kingdom
 15/03/2010

Guarantee

Black & Decker is confident of the quality of its products and offers an outstanding guarantee. This guarantee statement is in addition to and in no way prejudices your statutory rights. The guarantee is valid within the territories of the Member States of the European Union and the European Free Trade Area.

If a Black & Decker product becomes defective due to faulty materials, workmanship or lack of conformity, within 24 months from the date of purchase, Black & Decker guarantees to replace defective parts, repair products subjected to fair wear and tear or replace such products to ensure minimum inconvenience to the customer unless:

- ◆ The product has been used for trade, professional or hire purposes;
- ◆ The product has been subjected to misuse or neglect;
- ◆ The product has sustained damage through foreign objects, substances or accidents;
- ◆ Repairs have been attempted by persons other than authorised repair agents or Black & Decker service staff.

To claim on the guarantee, you will need to submit proof of purchase to the seller or an authorised repair agent. You can check the location of your nearest authorised repair agent by contacting your local Black & Decker office at the address indicated in this manual. Alternatively, a list of authorised Black & Decker repair agents and full details of our after-sales service and contacts are available on the Internet at: www.2helpU.com

Please visit our website www.blackanddecker.co.uk to register your new Black & Decker product and to be kept up to date on new products and special offers. Further information on the Black & Decker brand and our range of products is available at www.blackanddecker.co.uk

Bestimmungsgemäße Verwendung

Ihr Black & Decker Schleifer wurde zum Schleifen von Holz, Metall, Kunststoff und lackierten Oberflächen entwickelt. Dieses Gerät ist nicht für den gewerblichen Einsatz vorgesehen.

Sicherheitshinweise

Allgemeine Warnhinweise zur Sicherheit von Elektrowerkzeugen



Achtung! Lesen Sie sämtliche Sicherheitswarnhinweise und sonstigen Anweisungen. Die Nichteinhaltung der nachstehend aufgeführten Warnhinweise und sonstigen Anweisungen kann einen elektrischen Schlag, Brand und/oder schwere Verletzungen verursachen.

Bewahren Sie alle Warnhinweise und sonstigen Anweisungen zur künftigen Bezugnahme auf. Der nachfolgend verwendete Begriff "Gerät" bezieht sich auf netzbetriebene Geräte (mit Netzkabel) und auf akkubetriebene Geräte (ohne Netzkabel).

1. Sicherheit am Arbeitsplatz

- a. Halten Sie Ihren Arbeitsbereich sauber und gut ausgeleuchtet. Unordnung und dunkle Arbeitsbereiche fördern Unfälle geradezu heraus.
- b. Arbeiten Sie mit Geräten nicht in explosionsgefährdeter Umgebung, in der sich brennbare Flüssigkeiten, Gase oder Stäube befinden. Geräte erzeugen Funken, die den Staub oder die Dämpfe entzünden können.
- c. Halten Sie Kinder und andere Personen während der Benutzung eines Geräts fern. Bei Ablenkung können Sie die Kontrolle verlieren.

2. Elektrische Sicherheit

- a. Der Anschlussstecker des Geräts muß in die Steckdose passen. Der Stecker darf in keiner Weise verändert werden. Verwenden Sie keine Adapterstecker gemeinsam mit schutzgeerdeten Geräten. Unveränderte Stecker und passende Steckdosen verringern das Risiko eines elektrischen Schlages.
- b. Vermeiden Sie Körperkontakt mit geerdeten **Oberflächen von Rohren, Heizungen, Herden und Kühlschränken**. Es besteht ein erhöhtes Risiko eines elektrischen Schlages, wenn Ihr Körper geerdet ist.
- c. Halten Sie Geräte von Regen und Nässe fern. Das Eindringen von Wasser in ein Gerät erhöht das Risiko eines elektrischen Schlages.
- d. **Mißbrauchen Sie nicht das Kabel**. Verwenden Sie das Kabel niemals zum Tragen, Ziehen oder Trennen des Gerätes vom Netz. Halten Sie das Kabel fern von

Hitze, Öl, scharfen Kanten oder sich bewegenden Teilen. Beschädigte oder verwickelte Kabel erhöhen das Risiko eines elektrischen Schlages.

- e. Wenn Sie mit einem Gerät im Freien arbeiten, verwenden Sie nur Verlängerungskabel, die auch für den Außenbereich zugelassen sind. Die Verwendung eines für den Außenbereich geeigneten Verlängerungskabels verringert das Risiko eines elektrischen Schlages.
 - f. Falls der Betrieb des Elektrowerkzeugs in einer feuchten Umgebung unvermeidbar ist, verwenden Sie einen mit einem Fehlerstromschutzschalter (FI-Schutzschalter) abgesicherten Stromkreis. Durch die Verwendung eines FI-Schutzschalters wird das Risiko eines Stromschlags verringert.
- ### 3. Sicherheit von Personen
- a. Seien Sie aufmerksam, achten Sie darauf, was Sie tun, und gehen Sie vernünftig mit einem Gerät um. Benutzen Sie das Gerät nicht, wenn Sie müde sind oder unter dem Einfluß von Drogen, Alkohol oder Medikamenten stehen. Ein Moment der Unachtsamkeit beim Gebrauch von Geräten kann zu ernsthaften Verletzungen führen.
 - b. Tragen Sie persönliche Schutzausrüstung. Tragen Sie immer eine Schutzbrille. Das Tragen persönlicher Schutzausrüstung, wie Staubmaske, rutschfeste Sicherheitsschuhe, Schutzhelm oder Gehörschutz, je nach Art und Einsatz des Elektrowerkzeuges, verringert das Risiko von Verletzungen.
 - c. Vermeiden Sie eine unbeabsichtigte Inbetriebnahme. Vergewissern Sie sich, dass der Schalter auf der Aus-Stellung steht, bevor Sie den Stecker in die Steckdose stecken und/oder das Akkupaket im Werkzeug stecken, das Werkzeug aufnehmen oder tragen. Wenn Sie beim Tragen des Elektrowerkzeuges den Finger am Schalter haben oder das Werkzeug eingeschaltet an die Stromversorgung anschließen, kann dies zu Unfällen führen.
 - d. Entfernen Sie Einstell- oder Schraubenschlüssel, bevor Sie das Gerät einschalten. Ein Schlüssel, der sich in einem sich drehenden Teil befindet, kann zu Verletzungen führen.
 - e. Nicht zu weit nach vorne strecken! Achten Sie auf einen sicheren Stand, um in jeder Arbeitsposition das Gleichgewicht zu halten. Dadurch können Sie das Gerät in unerwarteten Situationen besser unter Kontrolle halten.
 - f. Tragen Sie geeignete Kleidung. Tragen Sie keine weite Kleidung oder Schmuck. Halten Sie Haare, Kleidung und Handschuhe fern von sich bewegenden Teilen. Lockere Kleidung, Schmuck oder lange Haare können von sich bewegenden Teilen erfaßt werden.
 - g. Falls Staubabsaug- und -auffangvorrichtungen vorhanden sind, vergewissern Sie sich, daß diese angeschlossen sind und richtig verwendet werden.

Das Verwenden dieser Einrichtungen verringert Gefährdungen durch Staub.

4. Gebrauch und Pflege von Geräten

- a. Überlasten Sie das Gerät nicht. Verwenden Sie für Ihre Arbeit das dafür bestimmte Gerät. Mit dem passenden Gerät arbeiten Sie besser und sicherer im angegebenen Leistungsbereich.
 - b. Benutzen Sie kein Gerät, dessen Schalter defekt ist. Ein Gerät, das sich nicht mehr ein- oder ausschalten läßt, ist gefährlich und muß repariert werden.
 - c. Trennen Sie den Stecker von der Stromquelle und/ oder das Akkupaket vom Elektrowerkzeug, bevor Einstellungen vorgenommen, Zubehör gewechselt oder Elektrowerkzeuge verstaut werden. Diese Vorsichtsmaßnahmen verhindern den unbeabsichtigten Start des Gerätes.
 - d. Bewahren Sie unbenutzte Geräte außerhalb der Reichweite von Kindern auf. Lassen Sie Geräte nicht von Personen benutzen, die damit nicht vertraut sind oder diese Anweisungen nicht gelesen haben. Geräte sind gefährlich, wenn Sie von unerfahrenen Personen benutzt werden.
 - e. Halten Sie Geräte in einem einwandfreien Zustand. Kontrollieren Sie, ob bewegliche Teile falsch ausgerichtet sind oder klemmen und ob Teile gebrochen oder so beschädigt sind, daß die Funktion des Geräts beeinträchtigt ist. Lassen Sie beschädigte Geräte vor dem Gebrauch reparieren. Viele Unfälle haben ihre Ursache in schlecht gewarteten Geräten.
 - f. Halten Sie Schneidgeräte scharf und sauber. Sorgfältig gepflegte Schneidgeräte mit scharfen Schneidkanten verklemmen sich weniger und sind leichter zu führen.
 - g. Verwenden Sie das Elektrowerkzeug, Zubehör sowie Werkzeug-Bits, usw. entsprechend diesen Anweisungen. Berücksichtigen Sie dabei die Arbeitsbedingungen sowie die durchzuführende Arbeit. Der Gebrauch von Geräten für andere als die vorgesehenen Anwendungen kann zu gefährlichen Situationen führen.
5. Service
 - a. **Lassen Sie Ihr Gerät nur von qualifiziertem Fachpersonal und nur mit Original-Ersatzteilen reparieren.** Damit wird gewährleistet, daß die Sicherheit des Geräts erhalten bleibt.

Zusätzliche Warnhinweise zur Sicherheit von Elektrowerkzeugen



Achtung! Zusätzliche Sicherheitshinweise für Schleifgeräte

- ◆ Halten Sie das Elektrowerkzeug an den isolierten **Griffflächen, weil das Band die eigene Anschlußleitung** berühren könnte. Eine spannungsführende Leitung einschneiden, setzt die freiliegenden Metallteile des Geräts unter Spannung und der Benutzer erleidet einen Stromschlag.
- ◆ Verwenden Sie **Zwingen oder ähnliche Mittel, um das Werkstück auf einer stabilen Plattform zu halten und zu sichern.** Falls das Werkstück mit der Hand oder gegen den Körper gehalten wird, bleibt es instabil und Sie können die Kontrolle verlieren.
- ◆ **Achtung!** Ein Kontakt mit Stäuben oder das Einatmen von Stäuben, die durch den Schleifvorgang entstehen, kann die Gesundheit des Bedieners und eventueller anderer Personen in der Nähe des Geräts gefährden. Tragen Sie zum Schutz vor Stäuben und Dämpfen eine Staubmaske, und stellen Sie sicher, daß auch andere Personen geschützt sind, die den Arbeitsplatz betreten oder sich darin aufhalten.
- ◆ Entfernen Sie nach dem Schleifen sorgfältig alle Staubreste.
- ◆ Treffen Sie beim Schleifen von möglicherweise bleihaltiger Farbe oder von bestimmten Holz- und Metallarten, die giftigen Staub bilden können, besondere Maßnahmen:
 - Verhindern Sie, daß Kinder oder Schwangere den Arbeitsplatz betreten.
 - Essen, trinken und rauchen Sie nicht am Arbeitsplatz.
 - Entsorgen Sie Staubteilchen und andere Schleifabfälle auf sachgerechte Weise.
- ◆ Dieses Gerät darf nicht von Personen (einschließlich Kindern) mit eingeschränkten körperlichen, sensorischen oder geistigen Fähigkeiten verwendet werden. Auch darf es nicht von Personen verwendet werden, die keine Erfahrung mit dem Gerät oder Kenntnis darüber haben, es sei denn, sie stehen beim Gebrauch unter der Aufsicht und Anleitung einer für deren Sicherheit verantwortlichen Person. Kinder müssen beaufsichtigt werden, um sicherzustellen, daß sie nicht mit dem Gerät spielen.
- ◆ Die bestimmungsgemäße Verwendung ist in dieser Bedienungsanleitung beschrieben. Das Verwenden anderer als der in dieser Anleitung empfohlenen Anbaugeräte und Zubehörteile oder die Ausführung von Arbeiten mit diesem Gerät, die nicht der bestimmungsgemäßen Verwendung entsprechen, kann zu Unfallgefahren und/oder Sachschäden führen.

Sicherheit anderer Personen

- ◆ Dieses Gerät darf nicht von Personen (einschließlich Kindern) mit eingeschränkten körperlichen, sensorischen oder geistigen Fähigkeiten verwendet werden. Auch darf es nicht von Personen verwendet werden, die keine Erfahrung mit dem Gerät oder Kenntnis darüber haben, es sei denn, sie stehen beim Gebrauch unter der Aufsicht

und Anleitung einer für deren Sicherheit verantwortlichen Person.

- ◆ Kinder müssen beaufsichtigt werden, um sicherzustellen, daß sie nicht mit dem Gerät spielen.

Restrisiken.

Für den Gebrauch dieses Geräts verbleiben zusätzliche Restrisiken, die möglicherweise nicht in den Sicherheitswarnungen genannt werden. Diese Risiken bestehen beispielsweise bei Missbrauch oder längerem Gebrauch.

Auch bei der Einhaltung der entsprechenden Sicherheitsvorschriften und der Verwendung aller Sicherheitsgeräte bestehen weiterhin bestimmte Restrisiken. Diese werden im Folgenden aufgeführt:

- ◆ Verletzungen, die durch das Berühren von sich drehenden/bewegenden Teilen verursacht werden.
- ◆ Verletzungen, die durch das Austauschen von Teilen, Messern oder Zubehör verursacht werden.
- ◆ Verletzungen, die durch längeren Gebrauch eines Geräts verursacht werden. Legen Sie bei längerem Gebrauch regelmäßige Pausen ein.
- ◆ Beeinträchtigung des Gehörs.
- ◆ Gesundheitsrisiken durch das Einatmen von Staub beim Gebrauch des Geräts (Beispielsweise bei Holzarbeiten, insbesondere Eiche, Buche und Pressspan).

Vibrationen

Die angegebenen Vibrationswerte in den Technischen Daten und der Konformitätserklärung wurden gemäß einer standardisierten und durch EN 60745 festgelegten Prüfmethode gemessen und können herangezogen werden, um ein Werkzeug mit einem anderen zu vergleichen. Der angegebene Vibrationswert kann auch für eine vorläufige Einstufung der Freisetzung herangezogen werden.

Achtung! Der Vibrationswert beim eigentlichen Gebrauch des Elektrowerkzeuges kann vom angegebenen Wert abweichen. Dies hängt davon ab, auf welche Weise das Werkzeug verwendet wird. Der Vibrationswert kann über den angegebenen Wert hinaus ansteigen.

Bei der Einstufung der Vibrationen zur Festlegung der von 2002/44/EG geforderten Sicherheitsmaßnahmen zum Schutz von Personen, die beruflich regelmäßig mit Elektrowerkzeugen arbeiten, muß eine Vibrationseinstufung die tatsächlichen Gebrauchsbedingungen und die Art und Weise berücksichtigen, wie das Werkzeug verwendet wird. Auch müssen alle Aspekte des Arbeitszyklus berücksichtigt werden, wie beispielsweise die Zeiten, in denen das Werkzeug aus- und eingeschaltet ist und im Leerlauf läuft.

Schilder auf dem Gerät

Es befinden sich folgende Bildzeichen auf dem Gerät:



Achtung! Um die Verletzungsgefahr zu verringern, muß der Benutzer die Bedienungsanleitung lesen.

Elektrische Sicherheit



Dieses Gerät ist schutzisoliert, daher ist keine Erdleitung erforderlich. Überprüfen Sie immer, ob die Netzspannung der auf dem Typenschild des Elektrowerkzeuges angegebenen Spannung entspricht.

- ◆ Falls das Netzkabel beschädigt ist, so ist es vom Hersteller oder einem autorisierten Black & Decker Service Center auszutauschen, um Gefahren vorzubeugen.

Verwendung eines Verlängerungskabels

- ◆ Verwenden Sie nur zugelassene Verlängerungskabel, die sich für die Leistungsaufnahme dieses Geräts eignen (siehe technische Daten). Überprüfen Sie das Verlängerungskabel vor dem Gebrauch auf Beschädigung, Verschleiß und Alterserscheinungen. Tauschen Sie ein beschädigtes oder defektes Verlängerungskabel aus. Rollen Sie das Kabel bei Verwendung einer Kabeltrommel immer völlig aus. Die Verwendung eines Verlängerungskabels, das für die Leistungsaufnahme des Geräts nicht geeignet ist, oder ein beschädigtes Verlängerungskabel kann einen Brand und Stromschläge verursachen.

Merkmale

Dieses Gerät weist einige oder alle der folgenden Merkmale auf.

1. Ein-/Aus-Schalter
2. Staubabsauganschluß
3. Schleifplatte
4. Papierklemmhebel
5. Drehzahl-Vorwahlknopf

Montage

Achtung! Vergewissern Sie sich vor der Montage, daß das Gerät ausgeschaltet ist und daß der Netzstecker gezogen wurde.

Anbringen des Schleifpapiers (Abb. A & B1 - B3)

Achtung! Verwenden Sie das Gerät nie, wenn kein Schleifpapier oder -zubehör auf der Schleifplatte angebracht ist.

Anbringen von Klettfix-Schleifpapier (Abb. A)

- ◆ Vergewissern Sie sich, daß das Gerät ausgeschaltet ist und der Netzstecker gezogen wurde.

- ◆ Drücken Sie das Schleifpapier kräftig und gleichmäßig auf die Schleifplatte (3). Sorgen Sie dafür, daß die Löcher im Schleifpapier mit denen in der Schleifplatte fluchten.

Anbringen von normalem Schleifpapier (Abb. B1 - B3)

- ◆ Vergewissern Sie sich, daß das Gerät ausgeschaltet ist und der Netzstecker gezogen wurde.
- ◆ Bereiten Sie das Schleifpapier vor, indem Sie die glatte Seite des Blattes über die Kante der Werkbank ziehen.
- ◆ Drücken Sie die Papierklemmhebel (4) nach oben, um sie aus den Nuten zu lösen. Öffnen Sie dann die Papierklemmen, indem Sie die Klemmhebel nach unten drücken (Abb. B1).
- ◆ Bringen Sie das Schleifpapier auf der Schleifplatte (3) an. Sorgen Sie dafür, daß die Löcher im Schleifpapier mit denen in der Schleifplatte fluchten (Abb. B2).
- ◆ Stecken Sie das eine Ende des Schleifpapiers wie abgebildet in die vordere Papierklemme (Abb. B3).
- ◆ Drücken Sie den vorderen Klemmhebel (4) nach unten und arretieren Sie ihn in der Nut.
- ◆ Straffen Sie das Schleifpapier ein wenig und stecken Sie das andere Ende des Papiers in die hintere Papierklemme.
- ◆ Drücken Sie den hinteren Klemmhebel (4) nach unten und arretieren Sie ihn in der Nut.

Anbringen und Entfernen des Staubfangsacks (Abb. C)

- ◆ Setzen Sie den Staubfangsack (6) auf den Staubabsaugauslaß (2).
- ◆ Schieben Sie den Staubfangsack auf das Werkzeug und vergewissern Sie sich, dass er sicher sitzt.
- ◆ Um den Staubfangsack zu entfernen, ziehen Sie den Staubfangsack nach hinten und vom Anschluß herunter.

Gebrauch

Achtung! Beschleunigen Sie den Arbeitsvorgang nicht mit Gewalt. Vermeiden Sie eine Überlastung des Gerätes.

KA320E - Geschwindigkeitsvorwahl

Die Geschwindigkeitsvorwahl erlaubt eine Anpassung der Motordrehzahl an das zu bearbeitende Material.

- ◆ Stellen Sie den Regler (5) auf den gewünschten Wert ein. Verwenden Sie für Holz eine hohe Geschwindigkeit, für Furnierholz und Kunststoffe eine mittlere Geschwindigkeit, und für Nichteisenmetalle sowie zum Entfernen von Farbe eine niedrige Geschwindigkeit.

Ein- und Ausschalten (Abb. D)

- ◆ Um das Gerät einzuschalten, drücken Sie den vorderen Teil I des Ein-/Aus-Schalters (1).
- ◆ Um das Gerät auszuschalten, drücken Sie den hinteren Teil O des Ein-/Aus-Schalters.

Leeren des Staubfangsacks (Abb. C)

Der Staubfangsack (6) sollte während des Betriebs alle 10 Minuten entleert werden.

- ◆ Ziehen Sie den Staubfangsack (6) nach hinten und vom Gerät ab.
- ◆ Halten Sie die Tülle nach unten, und schütteln Sie den Staubfangsack (6), um ihn zu entleeren.
- ◆ Schieben Sie den Staubfangsack (6) auf das Werkzeug und vergewissern Sie sich, dass er sicher sitzt.

Hinweise für optimale Arbeitsergebnisse (Abb. E)

- ◆ Halten Sie das Gerät immer mit beiden Händen.
- ◆ Üben Sie keinen zu großen Druck auf das Gerät aus.
- ◆ Überprüfen Sie regelmäßig den Zustand des Schleifpapiers. Tauschen Sie es bei Bedarf aus.
- ◆ Schleifen Sie immer in Richtung der Holzmaserung.
- ◆ Zum Schleifen frischer Farbschichten vor dem Auftragen weiterer Schichten verwenden Sie sehr feines Schleifpapier.
- ◆ Auf sehr unebenen Oberflächen sowie zum Entfernen alter Farbschichten verwenden Sie zunächst grobes Schleifpapier. Auf anderen Oberflächen verwenden Sie zunächst mittelgrobes Schleifpapier. In beiden Fällen wechseln Sie nach einiger Zeit auf feines Schleifpapier, damit Sie eine sehr glatte Oberfläche erhalten.
- ◆ Wenden Sie sich für weitere Informationen über Zubehör an Ihren Händler.

Zubehör

Die Leistung Ihres Geräts hängt vom verwendeten Zubehör ab. Black & Decker und Piranha Zubehör ist nach hohen Qualitätsnormen gefertigt und dafür ausgelegt, die Leistung Ihres Geräts zu steigern. Durch Verwendung dieses Zubehörs erzielen Sie die größtmögliche Leistung Ihres Geräts.

Wartung

Ihr Gerät wurde für eine lange Lebensdauer und einen möglichst geringen Wartungsaufwand entwickelt.

Ein dauerhafter, einwandfreier Betrieb setzt eine regelmäßige Pflege und Reinigung voraus.

Achtung! Bevor Sie irgendwelche Wartungsarbeiten vornehmen, schalten Sie das Gerät aus, und ziehen Sie den Netzstecker.

- ◆ Reinigen Sie regelmäßig die Lüftungsschlitze im Gerät mit Hilfe einer weichen Bürste oder eines trockenen Tuches.
- ◆ Reinigen Sie regelmäßig das Motorgehäuse mit Hilfe eines feuchten Tuches. Verwenden Sie keine scheuernden Reinigungsmittel oder Reinigungsmittel auf Lösungsmittelbasis.

Umweltschutz



Getrennte Entsorgung. Dieses Produkt darf nicht über den normalen Hausmüll entsorgt werden.

Sollte Ihr Black & Decker Produkt eines Tages erneuert werden müssen, oder falls Sie es nicht weiter verwenden wollen, so darf es nicht über den Hausmüll entsorgt werden. Stellen Sie dieses Produkt zur getrennten Entsorgung bereit.



Durch die getrennte Entsorgung gebrauchter Produkte und Verpackungen können die Materialien recycelt und wiederverwertet werden. Die Wiederverwertung recycelter Materialien schont die Umwelt und verringert die Nachfrage nach Rohstoffen.

Die regionalen Bestimmungen schreiben unter Umständen die getrennte Entsorgung elektrischer Produkte aus dem Haushalt an Sammelstellen oder seitens des Händlers vor, bei dem Sie das neue Produkt erworben haben.

Black & Decker nimmt Ihre ausgedienten Black & Decker Geräten zurück und sorgt für eine umweltfreundliche Entsorgung und Wiederverwertung. Um diesen Dienst zu nutzen, schicken Sie bitte Ihr Produkt zu einer Vertragswerkstatt. Hier wird es dann auf unsere Kosten gesammelt.

Die Adresse der zuständigen Black & Decker Vertretung steht in diesem Handbuch, darüber läßt sich die nächstgelegene Vertragswerkstatt ermitteln. Außerdem ist eine Liste der Vertragswerkstätten und aller Kundendienststellen von Black & Decker sowie der zuständigen Ansprechpartner im Internet zu finden unter: www.2helpU.com

Technische Daten

	KA310 Typ.1	KA320E Typ.1
Spannung	V_{AC} 230	230
Leistungsaufnahme	W 240	240
Schwingungen (Leerlauf)	min^{-1} 30.000	14.000 - 30.000
Exzenterbewegungen (Leerlauf)	min^{-1} 15.000	7.000 - 15.000
Schleifplatte	mm 90 x 187	90 x 187
Gewicht	kg 1,3	1,3

Höhe des Schalldrucks gemäß EN 60745:

Schalldruck (L_{pA}) 87 dB(A), Unsicherheitsfaktor (K) 3 dB(A)
Schallleistung (L_{WA}) 98 dB(A), Unsicherheitsfaktor (K) 3 dB(A)

Gesamtvibrationswerte (Triax-Vektorsumme) gemäß EN 60745:

Vibrationswert (a_h) 9.8 m/s^2 , Unsicherheitsfaktor (K) 1,5 m/s^2

EG-Konformitätserklärung

MASCHINENRICHTLINIE



KA310, KA320E

Black & Decker erklärt, daß diese unter „Technische Daten“ beschriebenen Produkte folgende Richtlinien erfüllen:
2006/42/EG, EN 60745-1, EN 60745-2-4

Wenden Sie sich für weitere Informationen bitte an folgende Black & Decker Anschrift bzw. an die hinten im Handbuch angegebene Anschrift.

Der Unterzeichnete ist für die Zusammenstellung der technischen Datei verantwortlich und gibt diese Erklärung im Namen von Black & Decker ab.

Kevin Hewitt
Vice-President Global Engineering
Black & Decker Europe, 210 Bath Road, Slough,
Berkshire, SL1 3YD
Vereinigtes Königreich
15/03/2010

Garantie

Black & Decker vertraut auf die Qualität der eigenen Geräte und bietet dem Käufer eine außergewöhnliche Garantie.

Diese Garantiezusage versteht sich unbeschadet der gesetzlichen Gewährleistungsansprüche und schränkt diese keinesfalls ein. Sie gilt in sämtlichen Mitgliedsstaaten der Europäischen Union und der Europäischen Freihandelszone EFTA.

Tritt innerhalb von 24 Monaten ab Kaufdatum an einem Gerät von Black & Decker ein auf Material- oder Verarbeitungsfehler zurückzuführender Mangel auf, garantiert Black & Decker den Austausch defekter Teile, die Reparatur von Geräten mit üblichem Verschleiß bzw. den Austausch eines mangelhaften Geräts, ohne den Kunden dabei mehr als unbedingt nötig in Anspruch zu nehmen, allerdings vorbehaltlich folgender Ausnahmen:

- ◆ wenn das Gerät gewerblich, beruflich oder im Verleihgeschäft benutzt wurde;
- ◆ wenn das Gerät mißbräuchlich verwendet oder mit mangelnder Sorgfalt behandelt wurde;
- ◆ wenn das Gerät durch irgendwelche Fremdeinwirkung beschädigt wurde;
- ◆ wenn ein unbefugter Reparaturversuch durch anderes Personal als das einer Vertragswerkstatt oder des Black & Decker-Kundendienstes unternommen wurde.

Zur Inanspruchnahme dieser Garantie ist dem Verkäufer bzw. der Vertragswerkstatt ein Kaufnachweis vorzulegen. Der Kaufnachweis muß Kaufdatum und Gerätetyp bescheinigen. Die Adresse des zuständigen Büros von Black & Decker steht in dieser Anleitung, darüber läßt sich die nächstgelegene Vertragswerkstatt ermitteln. Außerdem ist eine Liste der Vertragswerkstätten und aller Kundendienststellen von Black & Decker sowie der zuständigen Ansprechpartner im Internet zu finden unter: www.2helpU.com

Bitte besuchen Sie unsere Webseite www.blackanddecker.de, um Ihr neues Black & Decker Produkt zu registrieren und über neue Produkte und Sonderangebote aktuell informiert zu werden. Weitere Informationen über die Marke Black & Decker und unsere Produkte finden Sie unter www.blackanddecker.de

Utilisation prévue

Votre ponceuse Black & Decker a été spécialement conçue pour poncer le bois, le métal, le plastique et les surfaces peintes. Cet outil a été conçu pour une utilisation exclusivement domestique.

Instructions de sécurité

Consignes de sécurité générales pour les outils électriques



Attention ! Prenez connaissance de tous les avertissements de sécurité et de toutes les instructions. Le non-respect des avertissements et des instructions indiqués ci-dessous peut entraîner une électrocution, un incendie ou de graves blessures.

Conservez tous les avertissements et instructions pour référence future. La notion d'« outil électroportatif » mentionnée par la suite se rapporte à des outils électriques raccordés au secteur (avec câble de raccordement) ou fonctionnant sur piles (sans fil).

1. Sécurité de la zone de travail

- a. **Maintenez la zone de travail propre et bien éclairée.** Un lieu de travail en désordre ou mal éclairé augmente le risque d'accidents.
- b. **N'utilisez pas les outils électroportatifs dans un environnement présentant des risques d'explosion ni en présence de liquides, gaz ou poussières inflammables.** Les outils électroportatifs génèrent des étincelles risquant d'enflammer les poussières ou les vapeurs.
- c. **Tenez les enfants et autres personnes éloignés durant l'utilisation de l'outil électroportatif.** En cas d'inattention, vous risquez de perdre le contrôle sur l'outil.

2. Sécurité électrique

- a. **La fiche de secteur de l'outil électroportatif doit convenir à la prise de courant. Ne modifiez en aucun cas la fiche. N'utilisez pas de fiches d'adaptateur avec des outils ayant une prise de terre.** Les fiches non modifiées et les prises de courant appropriées réduisent le risque d'électrocution.
- b. **Évitez le contact physique avec des surfaces mises à la terre telles que tuyaux, radiateurs, fours et réfrigérateurs.** Il y a un risque élevé d'électrocution si votre corps est relié à la terre.
- c. **N'exposez pas l'outil électroportatif à la pluie ni à l'humidité.** La pénétration d'eau dans un outil électroportatif augmente le risque d'électrocution.

- d. **Préservez le câble d'alimentation. N'utilisez pas le câble à d'autres fins que celles prévues, notamment pour porter l'outil, l'accrocher voire le débrancher de la prise de courant.** Maintenez le câble éloigné des sources de chaleur, des parties grasses, des bords tranchants ou des parties de l'outil en rotation. Un câble endommagé ou enchevêtré augmente le risque d'électrocution.
- e. **Si vous utilisez l'outil électroportatif à l'extérieur, utilisez une rallonge homologuée pour utilisation à l'air libre.** L'utilisation d'une rallonge électrique homologuée pour les applications extérieures réduit le risque d'électrocution.
- f. **Si l'usage d'un outil dans un emplacement humide est inévitable, utilisez une alimentation protégée par un dispositif à courant différentiel résiduel (RCD).** L'usage d'un RCD réduit le risque de choc électrique.

3. Sécurité personnelle

- a. **Restez vigilant, surveillez ce que vous faites. Faites preuve de bon sens quand vous utilisez l'outil électroportatif. N'utilisez pas l'outil lorsque vous êtes fatigué ou après avoir consommé de l'alcool, des drogues voire des médicaments.** Un moment d'inattention lors de l'utilisation de l'outil peut entraîner de graves blessures.
- b. **Utilisez un équipement de protection personnelle. Portez toujours une protection pour les yeux.** Les équipements de protection personnelle tels que les masques anti-poussières, chaussures de sécurité antidérapantes, casques ou protections acoustiques utilisés dans des conditions appropriées réduisent les blessures.
- c. **Évitez toute mise en marche involontaire. Vérifiez que l'interrupteur est en position arrêté avant de brancher l'outil au secteur ou au bloc de batteries, de le prendre ou de le porter.** Transporter les outils en avec le doigt sur l'interrupteur ou les brancher avec l'interrupteur en position de marche est une source d'accidents.
- d. **Enlevez tout outil ou clé de réglage avant de mettre l'outil en marche.** Une clé ou un outil se trouvant sur une partie en rotation peut causer des blessures.
- e. **Adoptez une position confortable. Adoptez une position stable et gardez votre équilibre à tout moment.** Vous contrôlerez mieux l'outil dans des situations inattendues.
- f. **Portez des vêtements appropriés. Ne portez pas de vêtements flottants ou de bijoux. N'approchez pas les cheveux, vêtements ou gants des parties des pièces mobiles.** Les vêtements amples, les bijoux ou les cheveux longs peuvent être attrapés dans les pièces en mouvement.
- g. **Si des dispositifs servant à aspirer ou à recueillir les poussières doivent être utilisés, vérifiez qu'ils sont correctement raccordés et utilisés.** Le fait d'aspirer

la poussière permet de réduire les risques inhérents à la poussière.

4. Utilisation des outils électroportatifs et précautions

- a. **Ne surchargez pas l'outil. Utilisez l'outil électroportatif approprié pour le travail à effectuer.** Avec l'outil électroportatif approprié, vous travaillerez mieux et avec plus de sécurité à la vitesse pour laquelle il a été conçu.
- b. **N'utilisez pas un outil électroportatif dont l'interrupteur est défectueux.** Un outil électroportatif qui ne peut plus être mis en ou hors fonctionnement est dangereux et doit être réparé.
- c. **Déconnectez la prise de la source d'alimentation ou le pack-batterie de l'outil électrique avant tout réglage, changement d'accessoire voire rangement des outils électriques.** Cette mesure de précaution empêche une mise en marche par mégarde.
- d. **Rangez les outils électroportatifs hors de portée des enfants. Ne laissez pas les personnes n'étant pas familiarisées avec l'outil ou n'ayant pas lu ces instructions l'utiliser.** Les outils électroportatifs sont dangereux lorsqu'ils sont utilisés par des personnes non initiées.
- e. **Prenez soin des outils électroportatifs. Vérifiez que les parties en mouvement fonctionnent correctement et qu'elles ne sont pas coincées ; vérifiez qu'il n'y a pas de pièces cassées ou endommagées susceptibles de nuire au bon fonctionnement de l'outil. S'il est endommagé, faites réparer l'outil avant de l'utiliser.** De nombreux accidents sont dus à des outils électroportatifs mal entretenus.
- f. **Maintenez les outils de coupe aiguisés et propres.** Des outils soigneusement entretenus avec des bords tranchants bien aiguisés se coincent moins souvent et peuvent être guidés plus facilement.
- g. **Utilisez l'outil électrique, les accessoires et forets, etc. conformément à ces instructions, en tenant compte des conditions de travail et des tâches à effectuer.** L'utilisation des outils électroportatifs à d'autres fins que celles prévues peut entraîner des situations dangereuses.

5. Réparations

- a. **Faites réparer votre outil électroportatif uniquement par du personnel qualifié et seulement avec des pièces de rechange d'origine.** Cela garantira le maintien de la sécurité de votre outil.

Avertissements de sécurité supplémentaires pour les outils électriques



Attention ! Avertissements de sécurité additionnels pour ponceuses

- ◆ **Tenez l'outil uniquement par les surfaces isolées des poignées, parce que la courroie peut mettre en contact avec son propre cordon électrique.** Couper un câble sous tension met les parties métalliques de l'outil sous tension et peut provoquer une électrocution de l'utilisateur.
- ◆ **Utilisez des fixations ou tout autre moyen pratique pour fixer et soutenir la pièce à ouvrir sur une plateforme stable.** Si vous tenez la pièce à la main ou contre votre corps, elle est instable et vous pouvez en perdre le contrôle.
- ◆ **Attention !** L'inhalation ou le contact avec des poussières de sciure peuvent mettre en péril la santé de l'utilisateur et des personnes à proximité. Portez un masque contre la poussière spécialement conçu pour vous protéger des sciures et des fumées toxiques. Veillez également à ce que les personnes se trouvant à l'intérieur de la zone de travail ou y pénétrant soient également protégées.
- ◆ Enlevez soigneusement toute poussière après le ponçage.
- ◆ Faites spécialement attention lorsque vous poncez de la peinture pouvant être à base de plomb ou lorsque vous poncez des bois et des métaux pouvant produire de la poussière toxique.
 - Ne laissez pas les enfants ou les femmes enceintes entrer dans la zone de travail.
 - Ne mangez pas, ne buvez pas et ne fumez pas dans la zone de travail.
 - Nettoyez l'outil de toutes particules de poussière et autre débris.
- ◆ Cet outil n'est pas destiné à être utilisé par des personnes (notamment des enfants) présentant des capacités physiques, sensorielles ou mentales limitées voire dépourvues de connaissance et d'expérience, sauf si elles sont supervisées ou ont reçu des instructions pour l'usage de l'appareil par une personne responsable de leur sécurité. Les enfants ne doivent pas jouer avec l'appareil.
- ◆ Le domaine d'utilisation de l'outil est décrit dans le présent manuel. L'utilisation d'accessoires ou la réalisation d'opérations avec cet outil autres que ceux recommandés dans le présent manuel peut entraîner un risque de blessure ou de dégâts.

Sécurité des tiers

- ◆ Cet appareil n'est pas destiné à être utilisé par des personnes (notamment des enfants) présentant des capacités physiques, sensorielles ou mentales limitées voire dépourvues de connaissance et d'expérience, sauf si elles sont supervisées ou ont reçu des instructions pour l'usage de l'appareil par une personne responsable de leur sécurité.
- ◆ Les enfants ne doivent pas jouer avec l'appareil.

Risques résiduels.

L'utilisation d'un outil non mentionné dans les consignes de sécurité données peut entraîner des risques résiduels supplémentaires. Ces risques peuvent survenir si l'outil est mal utilisé, si l'utilisation est prolongée, etc.

Malgré l'application des normes de sécurité correspondantes et la présence de dispositifs de sécurité, les risques résiduels suivants ne peuvent être évités. Ceci comprend :

- ◆ Les blessures dues au contact avec une pièce mobile/ en rotation.
- ◆ Les blessures causées en changeant des pièces, lames ou accessoires.
- ◆ Les blessures dues à l'utilisation prolongée d'un outil. Une utilisation prolongée de l'outil nécessite des pauses régulières.
- ◆ Déficience auditive.
- ◆ Risques pour la santé causés par l'inhalation de poussières produites pendant l'utilisation de l'outil (exemple : travail avec du bois, surtout le chêne, le hêtre et les panneaux en MDF).

Vibration

Les valeurs des émissions de vibrations mentionnées dans les données techniques et la déclaration de conformité ont été mesurées conformément à la méthode de test normalisée indiquée par EN 60745 et permettent les comparaisons entre outils. Les valeurs des émissions de vibrations peuvent également servir à une évaluation préliminaire de l'exposition.

Attention ! Les valeurs des émissions de vibrations en utilisant réellement l'outil peuvent différer des valeurs déclarées en fonction du mode d'usage de l'outil.

Le niveau de vibration peut dépasser le niveau indiqué.

Pour évaluer l'exposition aux vibrations afin de déterminer les mesures de sécurité imposées par 2002/44/CE pour protéger les personnes utilisant régulièrement des outils électriques, une estimation de l'exposition aux vibrations devrait prendre en compte les conditions réelles et le mode d'utilisation de l'outil, notamment l'ensemble du cycle de fonctionnement ainsi l'arrêt de l'outil et son fonctionnement au ralenti, outre le démarrage.

Étiquettes apposées sur l'outil

Les pictogrammes suivants sont présents sur l'outil :



Attention ! Afin de réduire les risques de blessures, l'utilisateur doit lire le manuel d'instructions.

Sécurité électrique



L'outil est doublement isolé ; par conséquent, aucun câble de masse n'est nécessaire. Vérifiez si le voltage mentionné sur la plaque signalétique de la machine correspond bien à la tension de secteur présente sur lieu.

- ◆ Si le câble d'alimentation est endommagé, il doit être remplacé par le fabricant ou par un centre de réparation agréé Black & Decker afin d'éviter tout accident.

Câbles de rallonge

- ◆ Utilisez toujours une rallonge adaptée à la puissance d'alimentation de cet outil (voir caractéristiques techniques). Avant d'utiliser l'outil, vérifiez que le câble n'est ni endommagé ni usé. Changez le câble de rallonge s'il est endommagé. En cas d'utilisation d'un dévidoir, déroulez toujours le câble complètement. L'utilisation d'une rallonge non adaptée ou endommagée ou défectueuse peut entraîner un risque d'incendie ou d'électrocution.

Caractéristiques

Cet outil comprend toutes ou certaines des caractéristiques suivantes.

1. Interrupteur marche/arrêt
2. Orifice d'évacuation de la poussière
3. Base de ponçage
4. Manette de serrage du papier
5. Bouton de contrôle de vitesse variable

Assemblage

Attention ! Avant l'assemblage, assurez-vous que l'outil est éteint et débranché.

Mise en place des feuilles de ponçage (fig. A & B1 - B3)

Attention ! N'utilisez jamais l'outil sans feuille de ponçage ou accessoire en place.

Mise en place des feuilles de ponçage par bande agrippante (fig. A)

- ◆ Assurez-vous que l'outil est bien hors tension et débranché.
- ◆ Appuyez fermement sur la feuille et de façon égale sur la base de ponçage (3), en veillant à ce que les trous de la feuille coïncident avec les trous de la base.

Mise en place des feuilles de ponçage normales (fig. B1 - B3)

- ◆ Assurez-vous que l'outil est bien hors tension et débranché.
- ◆ Lissez le verso du papier abrasif sur une arête pour l'assouplir.
- ◆ Soulevez les manettes de serrage du papier (4) pour les

libérer des rainures et ouvrez les cliquets qui retiennent le papier en les baissant (fig. B1).

- ◆ Placez la feuille sur la base de ponçage (3), en veillant à ce que les trous de la feuille coïncident avec les trous de la base (fig. B2).
- ◆ Insérez le côté de la feuille de ponçage dans le premier cliquet comme illustré (fig. B3).
- ◆ Enfoncez la première manette de serrage du papier (4) et positionnez-la dans la rainure de retenue.
- ◆ Tout en exerçant une faible pression sur la feuille, insérez le côté arrière de la feuille dans le cliquet arrière.
- ◆ Enfoncez la manette de serrage arrière (4) et positionnez-la dans la rainure de retenue.

Montage et démontage du sac à poussières (fig. C)

- ◆ Monter le sac à poussières (6) sur l'orifice d'aspiration de la poussière (2).
- ◆ Glissez le sac à poussières (2) sur l'outil et assurez-vous qu'il est bien fixé.
- ◆ Pour retirer le sac à poussières, tirez le sac vers l'arrière en le sortant de l'orifice.

Utilisation

Attention ! Laissez l'outil fonctionner à sa propre vitesse. Ne le surchargez pas.

KA320E - Variateur de vitesse

Le contrôle de la vitesse variable vous permet d'adapter la vitesse de l'outil au matériau de la pièce sur laquelle vous travaillez.

- ◆ Ajustez la vitesse souhaitée à l'aide du bouton de commande (5). Utilisez une vitesse rapide pour le bois, une vitesse moyenne pour le bois contre-plaqué et les matières synthétiques, et une vitesse faible pour les métaux non ferreux et pour enlever de la peinture.

Démarrage et arrêt (fig. D)

- ◆ Pour allumer l'outil, appuyez sur la partie avant I de l'interrupteur marche/arrêt (1).
- ◆ Pour éteindre l'outil, appuyez sur la partie arrière 0 de l'interrupteur marche/arrêt.

Comment vider le sac à poussières (fig. C)

Le sac à poussières (6) doit être vidé toutes les 10 minutes.

- ◆ Tirez le sac à poussière (6) vers l'arrière et extrayez-le de l'outil.
- ◆ Tenez le bec et secouez le sac (6) pour le vider.
- ◆ Glissez le sac à poussières (6) sur l'outil et assurez-vous qu'il est bien fixé.

Conseils pour une utilisation optimale (fig. E)

- ◆ Tenez toujours l'outil avec les deux mains.
- ◆ N'exercez pas trop de pression sur l'outil.

- ◆ Vérifiez régulièrement l'état de la feuille de ponçage. Remplacez-la lorsque cela est nécessaire.
- ◆ Poncez toujours avec le grain correspondant au bois.
- ◆ Lorsque vous poncez de nouvelles couches de peinture avant d'en appliquer une autre, utilisez un abrasif extra fin.
- ◆ Pour les surfaces irrégulières ou lorsque vous enlevez des couches de peinture, commencez par un abrasif à gros grains. Sur d'autres surfaces, commencez avec un abrasif moyen. Dans les deux cas, changez graduellement et passez à un abrasif fin pour une finition douce.
- ◆ Renseignez-vous chez votre revendeur pour plus d'informations sur les accessoires disponibles.

Accessoires

Les performances de votre outil dépendent de l'accessoire que vous utilisez. Les accessoires Black & Decker et Piranha sont conçus selon les normes de haute qualité pour améliorer les performances de votre outil. En utilisant ces accessoires, vous obtiendrez les meilleurs résultats de votre outil.

Entretien

Votre outil a été conçu pour fonctionner pendant longtemps avec un minimum d'entretien. Un fonctionnement continu satisfaisant dépend d'un nettoyage régulier et d'un entretien approprié de l'outil.

Attention ! Avant d'effectuer tout entretien, éteignez et débranchez l'outil.

- ◆ Nettoyez régulièrement les orifices de ventilation de votre outil à l'aide d'une brosse douce ou d'un chiffon sec.
- ◆ Nettoyez régulièrement le compartiment du moteur à l'aide d'un chiffon humide. N'utilisez pas de produit abrasif ou à base de solvant.

Protection de l'environnement



Collecte séparée. Ce produit ne doit pas être jeté avec les déchets domestiques normaux.

Si vous décidez de remplacer ce produit Black & Decker, ou si vous n'en avez plus l'utilité, ne le jetez pas avec vos déchets domestiques. Rendez-le disponible pour une collecte séparée.



La collecte séparée des produits et emballages usés permet le recyclage des articles afin de les utiliser à nouveau. Le fait d'utiliser à nouveau des produits recyclés permet d'éviter la pollution environnementale et de réduire la demande de matières premières.

Les réglementations locales peuvent permettre la collecte séparée des produits électriques du foyer, dans des déchetteries municipales ou auprès du revendeur vous ayant vendu votre nouveau produit.

Black & Decker fournit un dispositif permettant de collecter et de recycler les produits Black & Decker lorsqu'ils ont atteint la fin de leur cycle de vie. Pour pouvoir profiter de ce service, veuillez retourner votre produit à un réparateur agréé qui se chargera de le collecter pour nous.

Pour connaître l'adresse du réparateur agréé le plus proche de chez vous, contactez le bureau Black & Decker à l'adresse indiquée dans ce manuel. Vous pourrez aussi trouver une liste des réparateurs agréés de Black & Decker et de plus amples détails sur notre service après-vente sur le site Internet à l'adresse suivante : www.2helpU.com

Caractéristiques techniques

	KA310 Typ.1	KA320E Typ.1
Tension	V_{AC} 230	230
Puissance absorbée	W 240	240
Oscillations (à vide)	min^{-1} 30.000	14.000 - 30.000
Orbites (à vide)	min^{-1} 15.000	7.000 - 15.000
Superficie de base de ponçage	mm 90 x 187	90 x 187
Poids	kg 1,3	1,3

Niveau de pression acoustique selon EN 60745 :

Pression acoustique (L_{pA}) 87 dB(A), incertitude (K) 3 dB(A)

Puissance acoustique (L_{WA}) 98 dB(A), incertitude (K) 3 dB(A)

Valeurs totales de vibration (somme vectorielle triax) selon EN 60745 :

Valeur d'émissions de vibrations (a_h) 9,8 m/s^2 ,
incertitude (K) 1,5 m/s^2

Déclaration de conformité CE

DIRECTIVE MACHINES



KA310/KA320E

Black & Decker déclare que ces produits décrits sous les "caractéristiques techniques" sont conformes avec :
2006/42/CE, EN 60745-1, EN 60745-2-4

Pour en savoir plus, veuillez contacter Black & Decker à l'adresse suivante ou consultez le dos du manuel.

Le soussigné est responsable de la compilation du fichier technique et effectue cette déclaration au nom de Black & Decker.

Kevin Hewitt
Vice-président Ingénierie globale
Black & Decker Europe, 210 Bath Road, Slough,
Berkshire, SL1 3YD
Royaume Uni
15/03/2010

Garantie

Black & Decker est confiant dans la qualité de ses produits et vous offre une garantie très étendue. Ce certificat de garantie est un document supplémentaire et ne peut en aucun cas se substituer à vos droits légaux. La garantie est valable sur tout le territoire des Etats Membres de l'Union Européenne et de la Zone de Libre Echange Européenne.

Si un produit Black & Decker s'avère défectueux en raison de matériaux en mauvaises conditions, d'une erreur humaine, ou d'un manque de conformité dans les 24 mois suivant la date d'achat, Black & Decker garantit le remplacement des pièces défectueuses, la réparation des produits usés ou cassés ou remplace ces produits à la convenance du client, sauf dans les circonstances suivantes :

- ◆ Le produit a été utilisé dans un but commercial, professionnel, ou a été loué.
- ◆ Le produit a été mal utilisé ou avec négligence.
- ◆ Le produit a subi des dommages à cause d'objets étrangers, de substances ou à cause d'accidents.
- ◆ Des réparations ont été tentées par des techniciens ne faisant pas partie du service technique de Black & Decker.

Pour avoir recours à la garantie, il est nécessaire de fournir une preuve d'achat au vendeur ou à un réparateur agréé.

Pour connaître l'adresse du réparateur agréé le plus proche de chez vous, contactez le bureau Black & Decker à l'adresse indiquée dans ce manuel. Vous pourrez aussi trouver une liste des réparateurs agréés de Black & Decker et de plus amples détails sur notre service après-vente sur le site Internet à l'adresse suivante : www.2helpU.com

Visitez notre site Web www.blackanddecker.fr pour enregistrer votre nouveau produit Black & Decker et être informé des nouveaux produits et des offres spéciales. Pour plus d'informations concernant la marque Black & Decker et notre gamme de produits, consultez notre site www.blackanddecker.fr

Uso previsto

La levigatrice Black & Decker è stata progettata per levigare superfici in legno, metallo, plastica e verniciate. L'utensile è stato progettato per un uso individuale.

Precauzioni di sicurezza

Avvisi generali di sicurezza per l'elettrotensile



Attenzione! Leggere tutti gli avvisi e le istruzioni di sicurezza. La mancata osservanza dei seguenti avvisi e istruzioni potrebbe causare scosse elettriche, incendi e/o infortuni gravi.

Conservare tutte gli avvisi e le istruzioni per consultazioni future. Il termine "elettrotensile" che ricorre in tutte le seguenti avvertenze si riferisce ad utensili elettrici con o senza filo.

1. Sicurezza dell'area di lavoro
 - a. **Mantenere pulita e bene illuminata l'area di lavoro.** Il disordine o la scarsa illuminazione possono causare incidenti.
 - b. **Evitare d'impiegare gli elettrotensili in ambienti esposti al rischio di esplosione, ad esempio in presenza di liquidi, gas o polveri infiammabili.**
Gli elettrotensili producono scintille che possono far infiammare la polvere o i fumi.
 - c. **Mantenere lontani bambini ed astanti mentre si usa l'elettrotensile.** Eventuali distrazioni possono comportare la perdita del controllo dell'elettrotensile.
2. Sicurezza elettrica
 - a. **La spina elettrica deve essere adatta alla presa.** Evitare assolutamente di alterare la spina. **Non impiegare spine adattatrici con elettrotensili provvisti di messa a terra.** L'uso di spine inalterate e corrispondenti alle prese della rete domestica riduce il rischio di scosse elettriche.
 - b. **Evitare il contatto fisico con superfici collegate a terra, come tubi, radiatori, forni e frigoriferi.** Un corpo collegato a terra è esposto maggiormente al rischio di scosse elettriche.
 - c. **Custodire gli elettrotensili al riparo dalla pioggia o dall'umidità.** L'eventuale infiltrazione di acqua in un elettrotensile aumenta il rischio di scosse elettriche.
 - d. **Non esporre il cavo a sollecitazioni. Non usare il cavo per trasportare o trainare l'elettrotensile e non tirarlo per estrarre la spina dalla presa di corrente.** Mantenere il cavo a distanza da fonti di calore, olio, bordi taglienti e/o parti in movimento. I cavi elettrici danneggiati o aggrovigliati aumentano il rischio di scosse elettriche.
 - e. **Se l'elettrotensile viene adoperato all'aperto, usare esclusivamente prolunge omologate per l'impiego all'esterno.** Un cavo adatto per impieghi all'esterno riduce il rischio di scosse elettriche.
3. Sicurezza delle persone
 - a. **È importante concentrarsi su ciò che si sta facendo e maneggiare con giudizio l'elettrotensile. Non adoperare l'elettrotensile se si è stanchi o sotto l'effetto di stupefacenti, alcol o medicinali.** Un attimo di distrazione durante l'uso dell'elettrotensile può causare gravi infortuni personali.
 - b. **Indossare un equipaggiamento protettivo. Utilizzare sempre occhiali protettivi di sicurezza.** Indossando un equipaggiamento protettivo, ad esempio: maschera antipolvere, calzature di sicurezza con suola antiscivolo, casco e protezioni per l'udito, in condizioni adeguate, si riduce il rischio di lesioni personali.
 - c. **Evitare l'accensione involontaria dell'elettrotensile. Verificare che l'interruttore di accensione sia posizionato su off prima di collegare il cavo di alimentazione o la batteria, di sollevare o trasportare l'elettrotensile.** Trasportare gli elettrotensili con il dito sull'interruttore di accensione o collegare all'alimentazione elettrotensili con l'interruttore posizionato su on, favorisce il verificarsi di incidenti.
 - d. **Prima di accendere un elettrotensile, togliere eventuali chiavi o attrezzi di regolazione.** Un attrezzo o una chiave lasciati in un componente mobile dell'elettrotensile possono causare lesioni.
 - e. **Non sporgersi. Mantenere sempre un buon equilibrio evitando posizioni malsicure.** In questo modo è possibile controllare meglio l'elettrotensile in situazioni inaspettate.
 - f. **Vestirsi adeguatamente. Evitare di indossare indumenti larghi o gioielli. Tenere capelli, vestiti e guanti lontani dalle parti in movimento.** Vestiti larghi, gioielli o capelli lunghi possono impigliarsi nei componenti in movimento.
 - g. **Se gli elettrotensili sono provvisti di attacchi per la connessione di dispositivi di aspirazione o raccolta della polvere, assicurarsi che questi siano installati e utilizzati correttamente.** L'uso di un dispositivo di aspirazione può ridurre i rischi correlati alle polveri.
4. Uso e cura degli elettrotensili
 - a. **Non sovraccaricare l'elettrotensile.** Usare un elettrotensile idoneo al lavoro da eseguire. Un elettrotensile appropriato permetterà una migliore e più sicura lavorazione alla potenza nominale prevista.
 - b. **Non utilizzare elettrotensili con interruttori difettosi.** Un elettrotensile che non può essere controllato

- mediante l'interruttore è pericoloso e deve essere riparato.
- c. **Scollegare la spina dalla presa e/o estrarre la batteria dall'elettrotensile prima di eseguire regolazioni, di sostituire degli accessori o di riporre l'elettrotensile.** Queste precauzioni riducono le possibilità che l'elettrotensile venga messo in funzione accidentalmente.
 - d. **Quando non vengono usati, gli elettrotensili devono essere custoditi fuori della portata dei bambini. Non consentire l'uso dell'elettrotensile a persone inesperte o che non abbiano letto le presenti istruzioni.** Gli elettrotensili risultano pericolosi se usati da persone inesperte.
 - e. **Sottoporre gli elettrotensili alle procedure di manutenzione del caso. Verificare che le parti mobili siano bene allineate e non inceppate, che non vi siano componenti rotti e che non sussistano altre condizioni che possano compromettere il funzionamento dell'elettrotensile. In caso di danni, riparare l'elettrotensile prima dell'uso.** La scarsa manutenzione causa molti incidenti.
 - f. **Mantenere affilati e puliti gli utensili da taglio.** Se sottoposti alla corretta manutenzione, gli utensili da taglio con taglienti affilati s'inceppano meno frequentemente e sono più facili da manovrare.
 - g. **Utilizzare l'elettrotensile, gli accessori, le punte ecc. in conformità alle presenti istruzioni, tenendo conto delle condizioni lavorative e del tipo di lavoro da eseguire.** L'impiego degli elettrotensili per usi diversi da quelli previsti può dar luogo a situazioni di pericolo.

5. Riparazioni

- a. **Fare riparare l'elettrotensile solo ed esclusivamente da personale specializzato e solo impiegando pezzi di ricambio originali.** Ciò permetterà di conservare le condizioni di sicurezza dell'elettrotensile.

Ulteriori avvisi di sicurezza per l'elettrotensile



Attenzione! Ulteriori avvisi di sicurezza per le levigatrici

- ◆ **Afferrare l'elettrotensile tramite le apposite impugnature isolanti, perché il nastro può entrare in contatto con il cavo di alimentazione.** Tagliare una "linea sotto tensione", può sottoporre a tensione le parti metalliche dell'elettrotensile e provocare una scossa elettrica.
- ◆ **Utilizzare morsetti o un altro metodo sicuro per fissare e supportare il pezzo in lavorazione su una piattaforma stabile.** Se il pezzo in lavorazione è sostenuto a mano o appoggiato al proprio corpo, rimane in posizione instabile e si possono verificare perdite di controllo.
- ◆ **Attenzione!** Il contatto o l'inalazione di polveri generate dalla levigazione può creare rischi per la salute

dell'operatore e degli eventuali astanti. Indossare una mascherina antipolvere specifica per polveri e fumi e controllare che anche le persone presenti o in arrivo nell'area di lavoro siano adeguatamente protette.

- ◆ Dopo la levigazione, rimuovere tutta la polvere.
- ◆ Fare molta attenzione quando si levigano vernici che probabilmente contengono il piombo come componente di base o quando si levigano certi legni e metalli la cui polvere può essere tossica:
 - Non consentire a bambini o donne in gravidanza di entrare nell'area di lavoro.
 - Non mangiare, bere o fumare nell'area di lavoro.
 - Smaltire la polvere e i rifiuti prendendo le necessarie misure di sicurezza.
- ◆ Questo elettrotensile non è destinato ad essere utilizzato da persone (bambini inclusi) con ridotte capacità fisiche, sensoriali o mentali, senza esperienza o non in possesso delle dovute conoscenze, senza la supervisione o l'addestramento sull'uso dell'elettrotensile da parte di una persona responsabile per la loro sicurezza. Controllare i bambini per evitare che giochino con l'elettrotensile.
- ◆ L'utilizzo previsto è quello indicato nel presente manuale. L'utilizzo di qualsiasi accessorio o attrezzatura o l'uso del presente elettrotensile per scopi diversi da quelli consigliati nel presente manuale d'istruzioni potrebbero comportare il rischio di infortuni e/o danni alle proprietà.

Sicurezza altrui

- ◆ Questo elettrotensile non è destinato ad essere utilizzato da persone (bambini inclusi) con ridotte capacità fisiche, sensoriali o mentali, senza esperienza o non in possesso delle dovute conoscenze, senza la supervisione o l'addestramento da parte di una persona responsabile per la loro sicurezza.
- ◆ Controllare i bambini per evitare che giochino con l'elettrotensile.

Rischi residui.

Altri rischi residui che possono sorgere durante l'impiego dell'elettrotensile e che possono non essere stati contemplati dagli allegati avvisi di sicurezza. Tali rischi possono sorgere a seguito di un uso prolungato o improprio, ecc.

Perfino adottando gli appositi regolamenti di sicurezza e utilizzando i dispositivi di sicurezza, certi rischi residui non possono essere evitati. Essi comprendono:

- ◆ **Lesioni causate o subite a seguito del contatto con parti rotanti/in movimento.**
- ◆ **Lesioni causate o subite durante la sostituzione di parti, lame o accessori.**
- ◆ **Lesioni causate dall'impiego prolungato di un elettrotensile. Quando si usa qualsiasi elettrotensile per lunghi periodi, accertarsi di fare regolarmente delle pause.**

- ◆ **Problemi di udito.**
- ◆ **Rischi per la salute causati dall'aspirazione di polvere generata dall'utilizzo dell'elettrotensile (ad esempio quando si lavora con il legno, in modo particolare quello di quercia, faggio o l'MDF).**

Vibrazioni

I valori delle vibrazioni dichiarati nei dati tecnici e nella dichiarazione di conformità sono stati misurati in conformità ai metodi di test standard descritti in: EN 60745 e possono essere utilizzati per comparare due elettrotensili. I valori di emissioni dichiarati possono essere usati anche per una valutazione preliminare dell'esposizione.

Attenzione! Il valore delle vibrazioni durante l'uso dell'elettrotensile può differire dai valori dichiarati a seconda del modo in cui viene usato l'elettrotensile. Il livello di vibrazioni può aumentare rispetto al livello nominale.

Quando si valuta l'esposizione alle vibrazioni e si stabiliscono le misure di sicurezza richieste dalla direttiva 2002/44/CE per proteggere il personale che utilizza regolarmente gli elettrotensili nello svolgimento delle proprie funzioni, considerare una stima dell'esposizione alle vibrazioni, le effettive condizioni d'uso e il modo in cui l'elettrotensile viene usato, analizzando tutte le parti del ciclo operativo, ovvero i periodi in cui l'elettrotensile è spento o gira a vuoto, oltre al tempo in cui è in uso.

Etichette sull'elettrotensile

Sull'elettrotensile sono presenti le seguenti immagini:



Attenzione! Per ridurre il rischio di lesioni, l'utente è tenuto a leggere il presente manuale di istruzioni.

Sicurezza elettrica



Il doppio isolamento di cui è provvisto l'elettrotensile rende superfluo il filo di terra. Controllare sempre che l'alimentazione corrisponda alla tensione indicata sulla targhetta delle caratteristiche.

- ◆ Se il cavo elettrico in dotazione risulta danneggiato, deve essere sostituito dal produttore o da un Centro di assistenza autorizzato Black & Decker, onde evitare rischi.

Impiego di una prolunga

- ◆ Adoperare sempre una prolunga di tipo omologato, adeguata alla potenza assorbita dell'utensile (v. scheda tecnica). Prima dell'uso, controllare che la prolunga non presenti segni di danni, usura e invecchiamento. Una prolunga danneggiata o difettosa deve sempre essere sostituita. Se si utilizza un avvolgitore, estrarre il cavo per l'intera lunghezza. Usare una

prolunga non adatta alla corrente di ingresso dell'utensile, o una prolunga danneggiata o difettosa, può provocare rischi di incendio e di scosse elettriche.

Funzioni

Questo elettrotensile è dotato di tutte le caratteristiche elencate di seguito, o di alcune di esse.

1. Interruttore acceso/spento
2. Uscita per estrazione polvere
3. Base della levigatrice
4. Leva fermacarta
5. Manopola di regolazione velocità

Montaggio

Attenzione! Prima di montarlo assicuratevi che l'utensile sia spento e desinserito.

Inserimento dei fogli di carta vetrata (fig. A & B1 - B3)

Attenzione! Non usare mai l'utensile senza avere inserito della carta vetrata o un accessorio.

Inserimento dei fogli di carta vetrata con fori in nylon (fig. A)

- ◆ Verificare che l'elettrotensile sia spento e che la spina non sia inserita nella presa.
- ◆ Premere saldamente e uniformemente il foglio sulla base della levigatrice, verificando che i fori del foglio coincidano con i fori della base.

Inserimento dei fogli di carta vetrata regolari (fig. B1 - B3)

- ◆ Verificare che l'elettrotensile sia spento e che la spina non sia inserita nella presa.
- ◆ Ammorbidire il foglio di carta vetrata strofinandone il lato non abrasivo sul bordo di una superficie di lavoro.
- ◆ Premere verso l'alto le leve fermacarta (4) per liberarle dalle scanalature che le bloccano e aprire i fermacarta abbassandoli (fig. B1).
- ◆ Collocare il foglio sulla base della levigatrice (3), verificando che i fori del foglio coincidano con i fori della base (fig. B2).
- ◆ Inserire il bordo del foglio abrasivo nel fermacarta anteriore, come mostrato (fig. B3).
- ◆ Premere verso il basso la leva del fermacarta anteriore (4) e inserirla nella scanalatura di blocco.
- ◆ Esercitando una leggera tensione sul foglio, inserirne il bordo posteriore nel fermacarta posteriore.
- ◆ Premere verso il basso la leva del fermacarta posteriore (4) e inserirla nella scanalatura di blocco.

Montaggio e smontaggio del sacchetto raccogli-polvere (fig. C)

- ◆ Installare il sacchetto raccogli-polvere (6) sull'uscita per l'estrazione della polvere (2).

- ◆ Far scorrere il sacchetto raccogli-polvere (2) sull'elettrotensile e verificare che sia posizionato saldamente.
- ◆ Per rimuovere il sacchetto raccogli-polvere, tirarlo sul lato posteriore allontanandolo dall'uscita.

Uso

Attenzione! Lasciare che l'utensile lavori al suo ritmo, senza sovraccaricarlo.

KA320E - Comando per la regolazione della velocità

Il comando di velocità variabile consente di regolare la velocità dell'utensile in base al materiale lavorato.

- ◆ Regolare la manopola di comando (5) sulla posizione desiderata. Utilizzare l'alta velocità per il legno, la velocità media per compensato e fibre sintetiche, e la velocità lenta per i metalli non ferrosi e per rimuovere la vernice.

Avviamento e spegnimento (fig. D)

- ◆ Per accendere l'utensile, premere il lato anteriore (il lato con la "I") dell'interruttore di accensione/spegnimento (1).
- ◆ Per spegnere l'utensile, premere il lato posteriore (il lato con la "O") dell'interruttore di accensione/spegnimento (1).

Svuotamento del sacchetto raccogli-polvere (fig. C)

Durante l'uso, il sacchetto raccogli-polvere (6) va svuotato ogni 10 minuti.

- ◆ Tirare indietro il sacchetto raccogli-polvere (6) e rimuoverlo dall'utensile.
- ◆ Mantenere giù il foro di uscita ed agitare il sacchetto (6) per svuotarlo del suo contenuto.
- ◆ Far scorrere il sacchetto raccogli-polvere (6) sull'elettrotensile e verificare che sia posizionato saldamente.

Consigli per un'ottima utilizzazione (fig. E)

- ◆ Sostenere sempre l'elettrotensile con entrambe le mani.
- ◆ Non esercitare una pressione eccessiva sull'elettrotensile.
- ◆ Verificare regolarmente lo stato del foglio di carta abrasiva. Sostituirlo quando necessario.
- ◆ Levigare sempre usando una grana analoga a quella del legno.
- ◆ Per levigare strati di vernice nuova, adoperare carta abrasiva a grana fine prima di applicare lo strato successivo di vernice.
- ◆ Su superfici particolarmente irregolari, o per la rimozione di strati di vernice, iniziare a levigare con carta abrasiva a grana grossa. Su altri tipi di superfici, cominciare con una grana media. In entrambi i casi, per ottenere una rifinitura omogenea passare gradualmente a una grana sottile.
- ◆ Consultare il rivenditore per ulteriori informazioni sugli accessori disponibili.

Accessori

Le prestazioni dell'utensile dipendono dall'accessorio usato. Gli accessori Black & Decker e Piranha, che sono prodotti di altissima qualità, sono stati progettati per ottimizzare la resa dell'utensile. Quando si scelgono questi accessori l'utensile offre prestazioni eccellenti.

Manutenzione

Questo elettrotensile è stato progettato per funzionare a lungo con un minimo di manutenzione. Per un funzionamento sempre soddisfacente è necessario avere cura dell'elettrotensile e provvedere alla regolare pulizia.

Attenzione! Prima di eseguire qualsiasi intervento di manutenzione, spegnere l'elettrotensile e disinserirne la spina dalla presa.

- ◆ Le feritoie di ventilazione dell'elettrotensile devono essere pulite regolarmente con un pennello morbido o un panno asciutto.
- ◆ Il vano del motore deve essere pulito regolarmente con un panno umido. Non usare materiali abrasivi o detergenti a base di solventi.

Protezione dell'ambiente



Raccolta differenziata. Questo prodotto non deve essere smaltito con i normali rifiuti domestici.

Nel caso in cui si decida di sostituire l'apparecchio oppure di disfarsene in quanto non più necessario, non dovrà essere smaltito con i normali rifiuti domestici. Smaltire il prodotto tramite raccolta differenziata.



La raccolta differenziata di prodotti e imballaggi usati, consente il riciclaggio e il riutilizzo dei materiali. Riutilizzare i materiali riciclati aiuta a prevenire l'inquinamento ambientale e riduce la richiesta di materie prime.

In base alle normative locali, i servizi per la raccolta differenziata di elettrodomestici possono essere disponibili presso i punti di raccolta municipali o presso il rivenditore, al momento dell'acquisto di un nuovo prodotto.

Black & Decker offre ai suoi clienti un servizio per la raccolta differenziata e la possibilità di riciclare i prodotti Black & Decker che hanno esaurito la loro durata in servizio. Per usufruire del servizio, è sufficiente restituire il prodotto a qualsiasi tecnico autorizzato, incaricato della raccolta per conto dell'azienda.

Per individuare il tecnico autorizzato più vicino, rivolgersi alla sede Black & Decker locale, presso il recapito indicato nel presente manuale. Altrimenti un elenco completo di tutti

i tecnici autorizzati Black & Decker e i dettagli completi sui contatti e i servizi post-vendita sono disponibili sul sito Internet: www.2helpU.com

Dati tecnici

	KA310 Typ.1	KA320E Typ.1
Tensione	V _{AC} 230	230
Potenza assorbita	W 240	240
Oscillazioni (senza carico)	min ⁻¹ 30.000	14.000 - 30.000
Traiettorie circolari (senza carico)	min ⁻¹ 15.000	7.000 - 15.000
Superficie di base della levigatrice	mm 90 x 187	90 x 187
Peso	kg 1,3	1,3

Livello di pressione sonora, dati conformi alla norma EN 60745:

Pressione sonora (L_{pA}) 87 dB(A), incertezza (K) 3 dB(A)
Potenza acustica (L_{WA}) 98 dB(A), incertezza (K) 3 dB(A)

Valori totali di vibrazione (somma vettoriale triax) determinati in base a EN 60745:

Valore di emissione delle vibrazioni (a_h) 9,8 m/s²,
incertezza (K) 1,5 m/s²

Dichiarazione di conformità CE

DIRETTIVA MACCHINE



KA310, KA320E

Black & Decker dichiara che i prodotti descritti nella sezione "dati tecnici" sono conformi con:
2006/42/CE, EN 60745-1, EN 60745-2-4

Per ulteriori informazioni, contattare Black & Decker ai seguenti indirizzi o consultare il retro del manuale.

Il sottoscritto è responsabile della compilazione del file tecnico e rilascia la presente dichiarazione per conto di Black & Decker.

Kevin Hewitt
Vicepresidente progettazione globale
Black & Decker Europe, 210 Bath Road, Slough,
Berkshire, SL1 3YD
Regno Unito
15/03/2010

Garanzia

Certa della qualità dei suoi prodotti, Black & Decker offre una **garanzia eccezionale**. Il presente certificato di garanzia è complementare ai diritti statutari e non li pregiudica in alcun modo. La garanzia è valida entro il territorio degli Stati membri dell'Unione Europea e dell'EFTA (European Free Trade Area).

Se un prodotto Black & Decker risulta difettoso per qualità del materiale, della costruzione o per mancata conformità entro 24 mesi dalla data di acquisto, Black & Decker garantisce la sostituzione delle parti difettose, provvede alla riparazione dei prodotti se ragionevolmente usurati oppure alla loro sostituzione, in modo da ridurre al minimo il disagio del cliente a meno che:

- ◆ Il prodotto non sia stato destinato ad usi commerciali, professionali o al noleggio;
- ◆ Il prodotto non sia stato usato in modo improprio o scorretto;
- ◆ Il prodotto non abbia subito danni causati da oggetti o sostanze estranee oppure incidenti;
- ◆ Il prodotto non abbia subito tentativi di riparazione non effettuati da tecnici autorizzati né dall'assistenza Black & Decker.

Per attivare la garanzia è necessario esibire la prova comprovante l'acquisto al venditore o al tecnico autorizzato. Per individuare il tecnico autorizzato più vicino, rivolgersi alla sede Black & Decker locale, presso il recapito indicato nel presente manuale. Altrimenti un elenco completo di tutti i tecnici autorizzati Black & Decker e i dettagli completi sui contatti e i servizi post-vendita sono disponibili su Internet presso: www.2helpU.com

I clienti che desiderano registrare il nuovo prodotto Black & Decker e ricevere gli aggiornamenti sui nuovi prodotti e le offerte speciali, sono invitati a visitare il sito Web (www.blackanddecker.it). Ulteriori informazioni sul marchio e la gamma di prodotti Black & Decker sono disponibili all'indirizzo www.blackanddecker.it

Gebruik volgens bestemming

Uw Black & Decker schuurmachine is ontworpen voor het schuren van hout, metaal, kunststof en gevelde oppervlakken. Deze machine is uitsluitend bestemd voor consumentengebruik.

Veiligheidsvoorschriften

Algemene veiligheidswaarschuwingen voor elektrisch gereedschap



Waarschuwing! Lees alle veiligheidsinstructies en alle voorschriften. Wanneer de volgende waarschuwingen en voorschriften niet in acht worden genomen, kan dit een elektrische schok, brand of ernstig letsel tot gevolg hebben.

Bewaar alle waarschuwingen en instructies zorgvuldig.

Het hierna gebruikte begrip "elektrisch gereedschap" heeft betrekking op elektrische gereedschappen voor gebruik op het stroomnet (met netsnoer) of op batterijen (snoerloos).

1. Veiligheid van de werkomgeving

- Houd uw werkomgeving schoon en opgeruimd.**
Een rommelige en een onverlichte werkomgeving kan tot ongevallen leiden.
- Werk niet met elektrische gereedschappen in een omgeving met explosiegevaar, zoals in aanwezigheid van brandbare vloeistoffen, gassen of stof.** Elektrische gereedschappen veroorzaken vonken die het stof of de dampen tot ontsteking kunnen brengen.
- Houd kinderen en andere personen tijdens het gebruik van het elektrische gereedschap uit de buurt.** Wanneer u wordt afgeleid, kunt u de controle over het gereedschap verliezen.

2. Elektrische veiligheid

- De netstekker van het gereedschap moet in het stopcontact passen. De stekker mag in geen geval worden veranderd. Gebruik geen adapterstekkers in combinatie met geaarde gereedschappen.**
Onveranderde stekkers en passende stopcontacten verminderen de kans op een elektrische schok.
- Voorkom aanraking van het lichaam met geaarde oppervlakken, bijvoorbeeld buizen, verwarmingen, fornuizen en koelkasten.** De kans op een elektrische schok is groter als uw lichaam geaard is.
- Stel elektrisch gereedschap niet bloot aan regen en vocht.** In elektrisch gereedschap binnendringend water vergroot de kans op een elektrische schok.
- Gebruik het snoer niet voor een verkeerd doel.**
Gebruik het snoer niet om het gereedschap te dragen, voor te trekken of om de stekker uit het stopcontact te

trekken. Houd het snoer uit de buurt van hitte, olie, scherpe randen of bewegende delen. Beschadigde of in de war geraakte snoeren vergroten de kans op een elektrische schok.

- Gebruik wanneer u buitenshuis met elektrisch gereedschap werkt alleen verlengsnoeren die voor gebruik buitenshuis zijn goedgekeurd.** Het gebruik van een voor gebruik buitenshuis geschikt verlengsnoer verkleint de kans op een elektrische schok.
 - Gebruik een netvoeding voorzien van een reststroomvoorziening (RCD) indien het gebruiken van elektrisch gereedschap op een vochtige locatie onvermijdelijk is.** Gebruik van een reststroomvoorziening verkleint het risico van elektrische schok.
- #### 3. Veiligheid van personen
- Wees alert, let goed op wat u doet en ga met verstand te werk bij het gebruik van elektrische gereedschappen.** Gebruik elektrisch gereedschap niet wanneer u moe bent of onder invloed van drugs, alcohol of medicijnen. Een moment van onoplettendheid bij het gebruik van het gereedschap kan tot ernstige verwondingen leiden.
 - Gebruik persoonlijke beschermende uitrusting. Draag altijd oogbescherming.** Persoonlijke beschermende uitrusting zoals een stofmasker, slipvaste werkschoenen, een veiligheidshelm of gehoorbescherming, gebruikt voor geschikte condities, verkleint het risico van verwondingen.
 - Voorkom onbedoeld inschakelen. Zorg ervoor dat de schakelaar in de "uit"-stand staat voordat u de stekker in het stopcontact steekt, de accu plaatst of het gereedschap oppakt of draagt.** Het dragen van het gereedschap met uw vinger aan de schakelaar of het gereedschap ingeschakeld op de stroomvoorziening aansluiten kan tot ongelukken leiden.
 - Verwijder stelsleutels of moersleutels voordat u het gereedschap inschakelt.** Een sleutel in een draaiend onderdeel van het elektrische gereedschap kan tot verwondingen leiden.
 - Reik niet te ver. Zorg altijd dat u stevig staat en in evenwicht blijft.** Daardoor kunt u het gereedschap in onverwachte situaties beter onder controle houden.
 - Draag geschikte kleding. Draag geen loshangende kleding of sieraden.** Houd haren, kleding en handschoenen uit de buurt van bewegende delen. Loshangende kleding, sieraden en lange haren kunnen bekneld raken in bewegende delen.
 - Sluit eventueel bijgeleverde stofzuig- of stofopvangvoorzieningen aan en gebruik ze op de juiste manier.** Het gebruik van stofopvang beperkt het gevaar door stof.

4. Gebruik en onderhoud van elektrische gereedschappen
 - a. **Overbelast het gereedschap niet. Gebruik voor uw toepassing het daarvoor bestemde elektrische gereedschap.** Met het passende elektrische gereedschap werkt u beter en veiliger binnen het aangegeven capaciteitsbereik.
 - b. **Gebruik geen elektrisch gereedschap waarvan de schakelaar defect is.** Elektrisch gereedschap dat niet meer kan worden in- of uitgeschakeld is gevaarlijk en moet worden gerepareerd.
 - c. **Trek de stekker uit het stopcontact en/of accu alvorens het gereedschap af te stellen, accessoires te verwisselen of elektrisch gereedschap op te bergen.** Deze voorzorgsmaatregel voorkomt onbedoeld starten van het gereedschap.
 - d. **Bewaar elektrische gereedschappen die niet worden gebruikt buiten bereik van kinderen. Laat personen die niet met het gereedschap vertrouwd zijn of deze aanwijzingen niet hebben gelezen niet met het gereedschap werken.** Elektrische gereedschappen zijn gevaarlijk in de handen van onervaren personen.
 - e. **Verzorg het gereedschap zorgvuldig. Controleer bewegende delen van het gereedschap op goede uitlijning en soepele werking. Controleer of onderdelen niet gebroken zijn of dat de werking van het gereedschap niet op enige andere wijze nadelig wordt beïnvloed. Laat beschadigde delen repareren voordat u met het gereedschap gaat werken.** Veel ongevallen worden veroorzaakt door slecht onderhouden elektrische gereedschappen.
 - f. **Houd snijgereedschappen scherp en schoon.** Zorgvuldig onderhouden snijgereedschappen met scherpe snijkanten lopen minder snel vast en zijn gemakkelijker te sturen.
 - g. **Gebruik elektrische gereedschappen, toebehoren, inzetgereedschappen en dergelijke volgens deze aanwijzingen. Let daarbij op de arbeidsomstandigheden en de uit te voeren werkzaamheden.** Het gebruik van elektrische gereedschappen voor andere dan de voorziene toepassingen kan tot gevaarlijke situaties leiden.
5. Service
 - a. **Laat het elektrische gereedschap alleen repareren door een gekwalificeerde reparateur en alleen met gebruik van originele vervangingsonderdelen.** Dit garandeert de veiligheid van het gereedschap.

Aanvullende veiligheidswaarschuwingen voor elektrisch gereedschap



Waarschuwing! Aanvullende veiligheids-
waarschuwingen voor schuurmachines

- ◆ **Houd de machine aan de geïsoleerde greepvlakken vast, omdat de riem de eigen machinekabel kan raken.** Het insnijden van een onder spanning staande leiding, zetten ook de zichtbare metalen machinedelen onder spanning; dit kan leiden tot een elektrische schok.
- ◆ **Hanteer klemmen of een andere praktische manier om het werkstuk op een stabiele ondergrond vast te klemmen en te ondersteunen.** Het werkstuk met de hand vasthouden of tegen het lichaam houden zorgt voor instabiliteit en kan leiden tot controleverlies.
- ◆ **Waarschuwing!** Contact met of inademing van stoffen die veroorzaakt worden door schuurtoepassingen kunnen de gezondheid van de gebruiker en mogelijke omstanders ernstig schaden. Draag een stofmasker dat speciaal ontworpen is ter bescherming tegen stoffen en dampen en verzeker u ervan dat andere personen op de werkvloer of die de werkvloer betreden eveneens beschermd zijn.
- ◆ Verwijder zorgvuldig alle stof na het schuren.
- ◆ Neem speciale maatregelen bij het schuren van verf met mogelijk een loodbasis of bij het schuren van bepaalde hout- en metaalsoorten die mogelijk giftige stoffen produceren:
 - Kinderen en zwangere vrouwen mogen de werkvloer niet betreden.
 - Eten, drinken en roken op de werkvloer is niet toegestaan.
 - Verwijder stof en ander afval op veilige en verantwoorde wijze.
- ◆ Deze machine is niet bedoeld voor gebruik door personen (inclusief kinderen) met beperkt lichamelijk, zintuiglijk of geestelijk vermogen, of gebrek aan ervaring en kennis, tenzij hen de supervisie of instructie is gegeven omtrent het gebruik van de machine door een persoon die verantwoordelijk is voor hun veiligheid. Houd toezicht op kinderen om ervoor te zorgen dat zij niet met het apparaat gaan spelen.
- ◆ Het gebruik volgens bestemming is beschreven in deze handleiding. Gebruik ter voorkoming van lichamelijk letsel en/of materiële schade uitsluitend de in deze gebruiksaanwijzing aanbevolen accessoires en hulpstukken. Gebruik het instrument uitsluitend volgens bestemming.

Veiligheid van anderen

- ◆ Dit apparaat is niet bedoeld voor gebruik door personen (inclusief kinderen) met beperkt lichamelijk, zintuiglijk of geestelijk vermogen, of gebrek aan ervaring en kennis, tenzij ze de supervisie of instructie is gegeven omtrent het gebruik van het apparaat door een persoon die verantwoordelijk is voor hun veiligheid.
- ◆ Houd toezicht op kinderen om te voorkomen dat zij met het apparaat gaan spelen.

Overige risico's.

Er kunnen zich tijdens het gebruik van het gereedschap ook andere risico's voordoen die misschien niet in de bijgevoegde veiligheidswaarschuwingen worden vermeld. Deze risico's kunnen zich voordoen als gevolg van onoordeelkundig gebruik, langdurig gebruik, enz.

Zelfs als de veiligheidsvoorschriften in acht worden genomen en de veiligheidsvoorzieningen worden geïmplementeerd, kunnen bepaalde risico's niet worden vermeden. Deze omvatten:

- ◆ **Verwondingen die worden veroorzaakt door het aanraken van draaiende of bewegende onderdelen.**
- ◆ **Verwondingen die worden veroorzaakt bij het vervangen van onderdelen, bladen of accessoires.**
- ◆ **Verwondingen die worden veroorzaakt door langdurig gebruik van het gereedschap. Als u langere periodes met het gereedschap werkt, is het raadzaam om regelmatig een pauze in te lassen.**
- ◆ **Gehoorschadiging.**
- ◆ **Gezondheidsrisico's als gevolg van het inademen van stof dat door gebruik van het gereedschap wordt veroorzaakt (bijvoorbeeld tijdens het werken met hout, vooral eiken, beuken en MDF.)**

Vibratie

De verklaarde trillingsafgifte in het gedeelte van de technische gegevens / conformiteitsverklaring zijn gemeten volgens een standaard testmethode vastgesteld door EN 60745 en kan worden gebruikt om apparaten met elkaar te vergelijken.

De verklaarde trillingsafgifte kan ook worden gebruikt in een voorlopige beoordeling van blootstelling.

Waarschuwing! De waarde van de trillingsafgifte tijdens daadwerkelijk gebruik van elektrisch gereedschap kan afwijken van de verklaarde waarde afhankelijk op wat voor manieren het apparaat wordt gebruikt. Het trillingsniveau kan toenemen boven het aangegeven niveau.

Bij het bepalen van de trillingsblootstelling ter vaststelling van de veiligheidsmaatregelen vereist door 2002/44/EG - ter bescherming van personen die werkmattig geregeld elektrisch gereedschap gebruiken - dient een inschattling van de trillingsblootstelling de feitelijke gebruikscondities en bedieningswijze in acht te nemen, inclusief alle onderdelen van de bedieningscyclus, zoals het uitschakelen van het apparaat en het onbelast laten lopen alsmede de trekkertijd.

Labels op de machine

Op de machine vindt u de volgende pictogrammen:



Waarschuwing! De gebruiker moet de handleiding lezen om risico op letsel te verkleinen

Elektrische veiligheid



Deze machine is dubbel geïsoleerd; een aardaansluiting is daarom niet noodzakelijk. Controleer altijd of uw netspanning overeenkomt met de waarde op het typeplaatje.

- ◆ Indien het netsnoer is beschadigd, dient het ter voorkoming van gevaren te worden vervangen door de fabrikant of een erkend servicecentrum.

Verlengsnoeren

- ◆ Gebruik uitsluitend goedgekeurde verlengsnoeren, die geschikt zijn voor het vermogen van de machine (zie technische gegevens). Controleer het verlengsnoer voor gebruik op beschadiging, veroudering en slijtage. Vervang een beschadigd of defect verlengsnoer. Wanneer het verlengsnoer op een haspel zit, rol het snoer dan helemaal af. Als u een verlengsnoer gebruikt dat niet geschikt is voor het vermogen van de machine, of dat beschadigd of kapot is, dan riskeert u brand of een elektrische schok.

Onderdelen

Al naar gelang de uitvoering beschikt deze machine over de volgende onderdelen.

1. Aan/uit-schakelaar
2. Stofafzuigaansluiting
3. Schuurzool
4. Papierklemhendel
5. Snelheidsinstelknop

Montage

Waarschuwing! Zorg vóór aanvang van de montage dat de machine is uitgeschakeld en de netstekker van het lichtnet is losgekoppeld.

Aanbrengen van schuurvellen (fig. A & B1 - B3)

Waarschuwing! Gebruik de machine nooit zonder schuurvel of accessoire.

Aanbrengen van schuurvellen voor klitbevestiging (fig. A)

- ◆ Zorg dat de machine is uitgeschakeld en dat de stekker uit het stopcontact is gehaald.
- ◆ Druk het vel stevig en gelijk tegen de schuurzool (3) en zorg dat de gaten in het vel samenvallen met de gaten in de zool.

Aanbrengen van normale schuurvellen (fig. B1 - B3)

- ◆ Zorg dat de machine is uitgeschakeld en dat de stekker uit het stopcontact is gehaald.
- ◆ Maak het schuurpapier soepeler door de niet-schurende achterkant over de rand van een werkbank te wrijven.

- ◆ Druk de papierklemhendels (4) omhoog om ze uit de uitsparingen te lichten en open de papierklemmen door ze naar beneden te duwen (fig. B1).
- ◆ Plaats het vel op de schuurzool (3) en zorg dat de gaten in het vel samenvallen met de gaten in de zool (fig. B2).
- ◆ Stop de rand van het schuurvel in de voorste papierklem zoals afgebeeld (fig. B3).
- ◆ Druk de voorste papierklemhendel (4) naar beneden en plaats hem in de uitsparing.
- ◆ Stop de achterste rand van het vel in de achterste papierklem. Houd het vel ondertussen lichtjes gespannen.
- ◆ Druk de achterste papierklemhendel (4) naar beneden en plaats hem in de uitsparing.

Aanbrengen en verwijderen van de stofzak (fig. C)

- ◆ Breng de stofzak (6) op de stofzuigaansluiting (2) aan.
- ◆ Schuif de stofzak op de machine en zorg ervoor dat deze stevig op zijn plaats zit.
- ◆ Om de stofzak te verwijderen, trekt u de stofzak naar achteren en uit de aansluiting.

Gebruik

Waarschuwing! Laat de machine op haar eigen tempo werken. Niet overbelasten.

KA320E - Variabele snelheidsregeling

De variabele snelheidsregeling biedt de mogelijkheid om de snelheid van de machine aan te passen aan het materiaal van het werkstuk.

- ◆ Zet de bedieningsknop (5) op de gewenste instelling. Gebruik een hoge snelheid voor hout, een gemiddelde snelheid voor finer en synthetische materialen, en een lage snelheid voor non-ferrometalen en voor het verwijderen van verf.

Aan- en uitschakelen (fig. D)

- ◆ Om de machine in te schakelen, drukt u het voorste deel I van de aan/uit-schakelaar (1) in.
- ◆ Om de machine in te schakelen, drukt u het achterste deel O van de aan/uit-schakelaar (1) in.

Ledigen van de stofzak (fig. C)

De stofzak (6) dient na iedere 10 minuten gebruik te worden geleegd.

- ◆ Trek de stofzak (6) naar achteren en van de machine af.
- ◆ Houd het mondstuk naar beneden en schud de stofzak (6) leeg.
- ◆ Schuif de stofzak (6) op de machine en zorg ervoor dat deze stevig op zijn plaats zit.

Tips voor optimaal gebruik (fig. E)

- ◆ Houd de machine altijd met beide handen vast.

- ◆ Voer niet te veel druk op de machine uit.
- ◆ Controleer regelmatig de conditie van het schuurvel. Vervang indien nodig.
- ◆ Schuur altijd met de houtnerf mee.
- ◆ Gebruik een extra fijne korrel bij het schuren van een nieuwe verflaag voordat een volgende verflaag wordt aangebracht.
- ◆ Begin op zeer oneffen oppervlakken of bij het verwijderen van verflagen met een grove korrel. Begin op andere oppervlakken met een mediumkorrel. Ga in beide gevallen geleidelijk aan over op een fijne korrel voor een gladde afwerking.
- ◆ Informeer bij uw detailhandel voor meer informatie over de verkrijgbare accessoires.

Accessoires

De prestaties van uw machine hangen af van welke accessoires u gebruikt. Black & Decker en Piranha accessoires zijn ontwikkeld om te voldoen aan hoge kwaliteitseisen en ontworpen om de prestaties van uw machine te verbeteren. Met behulp van deze accessoires haalt u het beste uit uw machine.

Onderhoud

Dit gereedschap is ontworpen om gedurende langere periode te functioneren met een minimum aan onderhoud.

Voortdurend tevreden gebruik is afhankelijk van correct onderhoud en regelmatig schoonmaken.

Waarschuwing! Zorg vóór aanvang van onderhoudswerkzaamheden dat de machine is uitgeschakeld en de netstekker van het lichtnet is losgekoppeld.

- ◆ Reinig regelmatig de ventilatieopeningen van uw machine met een zachte borstel of een droge doek.
- ◆ Reinig regelmatig de behuizing van de motor met een vochtige doek. Gebruik geen schuur- of oplosmiddel.

Milieu



Gescheiden inzameling. Dit product mag niet met het gewone huishoudelijke afval worden weggegooid.

Wanneer uw oude Black & Deckerproduct aan vervanging toe is of het u niet langer van dienst kan zijn, gooi het dan niet bij het huishoudelijk afval. Zorg ervoor dat het product gescheiden kan worden ingezameld.



Door gebruikte producten en verpakkingen gescheiden in te zamelen, worden de materialen gerecycled en opnieuw gebruikt. Hergebruik van gerecyclede materialen voorkomt milieuvuiling en vermindert de vraag naar grondstoffen.

Inzamelpunten voor gescheiden inzameling van elektrische huishoudproducten bij gemeentelijke vuilnisbergen of bij de

verkoper waar u een nieuw product koopt, kunnen aan plaatselijke voorschriften gebonden zijn.

Black & Decker biedt de mogelijkheid tot inzamelen en recyclen van afgedankte Black & Decker producten. Om gebruik van deze service te maken, dient u het product aan een van onze servicecentra te sturen, die voor ons de inzameling verzorgen.

U kunt het adres van het dichtstbijzijnde servicecentrum opvragen via de adressen op de achterzijde van deze handleiding. U kunt ook een lijst van onze servicecentra en meer informatie m.b.t. onze klantenservice vinden op het volgende Internet-adres: www.2helpU.com

Technische gegevens

		KA310 Typ.1	KA320E Typ.1
Spanning	V _{AC}	230	230
Opgenomen vermogen	W	240	240
Oscillaties (onbelast)	min ⁻¹	30.000	14.000 - 30.000
Schuurbewegingen (onbelast)	min ⁻¹	15.000	7.000 - 15.000
Oppervlak schuurzool	mm	90 x 187	90 x 187
Gewicht	kg	1,3	1,3

Niveau van de geluidsdruk, gemeten volgens EN 60745:
 Geluidsdruk (L_{pa}) 87 dB(A), onzekerheid (K) 3 dB(A)
 Geluidsvermogen (L_{wa}) 98 dB(A), onzekerheid (K) 3 dB(A)
 Totale trillingswaarden (triaxale vectorsom) volgens EN 60745:
 Trillingsafgifte (ah) (a_v) 9.8 m/s², onzekerheid (K) 1,5 m/s²

EG-conformiteitsverklaring

MACHINERICTLIJN



KA310/KA320E

Black & Decker verklaart dat deze producten, zoals onder "technische gegevens" beschreven, overeenkomstig zijn met: 2006/42/EG, EN 60745-1, EN 60745-2-4

Neem voor meer informatie contact op met Black & Decker via het volgende adres of zie de achterzijde van de handleiding. De ondergetekende is verantwoordelijk voor de samenstelling van de technische gegevens en geeft deze verklaring namens Black & Decker.

Kevin Hewitt
 Vice-President Global Engineering
 Black & Decker Europe, 210 Bath Road, Slough,
 Berkshire, SL1 3YD
 Verenigd Koninkrijk
 15/03/2010

Garantie

Black & Decker heeft vertrouwen in zijn producten en biedt een uitstekende garantie. Deze garantiebepalingen vormen een aanvulling op uw wettelijke rechten en beperken deze niet. De garantie geldt in de lidstaten van de Europese Unie en de Europese Vrijhandelsassociatie.

Mocht uw Black & Decker product binnen 24 maanden na datum van aankoop defect raken tengevolge van materiaal- of constructiefouten, dan garanderen wij de kosteloze vervanging van defecte onderdelen, de reparatie van het product of de vervanging van het product, tenzij:

- ◆ Het product is gebruikt voor handelsdoeleinden, professionele toepassingen of verhuurdoeleinden;
- ◆ Het product onoordeelkundig is gebruikt;
- ◆ Het product is beschadigd door invloeden van buitenaf of door een ongeval;
- ◆ Reparaties zijn uitgevoerd door anderen dan onze servicecentra of Black & Decker personeel.

Om een beroep op de garantie te doen, dient u een aankoopbewijs te overhandigen aan de verkoper of een van onze servicecentra. U kunt het adres van het dichtstbijzijnde servicecentrum opvragen via de adressen op de achterzijde van deze handleiding. U kunt ook een lijst van onze servicecentra en meer informatie m.b.t. onze klantenservice vinden op het volgende Internet-adres: www.2helpU.com

Meld u aan op onze website www.blackanddecker.nl om te worden geïnformeerd over nieuwe producten en speciale aanbiedingen. Verdere informatie over het merk Black & Decker en onze producten vindt u op www.blackanddecker.nl

Finalidad

Su lijadora de Black & Decker ha sido diseñada para lijar madera, metal, plástico y superficies pintadas. Esta herramienta está pensada únicamente para uso doméstico.

Instrucciones de seguridad

Advertencias de seguridad generales para herramientas eléctricas



¡Atención! Lea todas las advertencias e instrucciones de seguridad. En caso de no respetarse las advertencias e instrucciones indicadas a continuación, podría producirse una descarga eléctrica, incendio y/o lesión grave.

Conserve todas las advertencias e instrucciones para su posterior consulta. El término "herramienta eléctrica" empleado en las advertencias indicadas a continuación se refiere a la herramienta eléctrica con alimentación de red (con cable) o alimentada por pila (sin cable).

1. Seguridad del área de trabajo
 - a. Mantenga limpia y bien iluminada el área de trabajo. El desorden o una iluminación deficiente en las áreas de trabajo pueden provocar accidentes.
 - b. No utilice la herramienta eléctrica en un entorno con peligro de explosión, en el que se encuentren combustibles líquidos, gases o material en polvo. Las herramientas eléctricas producen chispas que pueden llegar a inflamar los materiales en polvo o vapores.
 - c. Mantenga alejados a los niños y otras personas del área de trabajo al emplear la herramienta eléctrica. Una distracción le puede hacer perder el control sobre la herramienta.
2. Seguridad eléctrica
 - a. El enchufe de la herramienta eléctrica debe corresponder a la toma de corriente utilizada. No es admisible modificar el enchufe en forma alguna. No emplee adaptadores en herramientas eléctricas dotadas con una toma de tierra. Los enchufes sin modificar adecuados a las respectivas tomas de corriente reducen el riesgo de una descarga eléctrica.
 - b. Evite que su cuerpo toque partes conectadas a tierra como tuberías, radiadores, cocinas y refrigeradores. El riesgo a quedar expuesto a una descarga eléctrica es mayor si su cuerpo tiene contacto con tierra.
 - c. No exponga las herramientas eléctricas a la lluvia y evite que penetren líquidos en su interior. Existe el peligro de recibir una descarga eléctrica si penetran ciertos líquidos en la herramienta eléctrica.
3. Seguridad personal
 - a. Esté atento a lo que hace y emplee la herramienta eléctrica con prudencia. No utilice la herramienta eléctrica si estuviese cansado, ni tampoco después de haber consumido alcohol, drogas o medicamentos. El no estar atento durante el uso de una herramienta eléctrica puede provocarle serias lesiones.
 - b. Utilice equipos de protección personal. Lleve siempre protección ocular. Los equipos de protección tales como una mascarilla antipolvo, zapatos de seguridad con suela antideslizante, casco o protectores auditivos, utilizados en condiciones adecuadas, contribuyen a reducir las lesiones personales.
 - c. Evite una puesta en marcha involuntaria. Asegúrese de que el interruptor esté en la posición de apagado antes de conectar a la fuente de alimentación o la batería, coger o transportar la herramienta. Si se transportan herramientas eléctricas con el dedo sobre el interruptor o si se enchufan con el interruptor encendido puede dar lugar a accidentes.
 - d. Retire las herramientas de ajuste o llaves fijas antes de conectar la herramienta eléctrica. Una herramienta o llave colocada en una pieza giratoria de la herramienta eléctrica puede producir lesiones al ponerse a funcionar.
 - e. Sea precavido. Evite adoptar una posición que fatigue su cuerpo; mantenga un apoyo firme sobre el suelo y conserve el equilibrio en todo momento. Ello le permitirá controlar mejor la herramienta eléctrica en caso de presentarse una situación inesperada.
 - f. Lleve puesta una vestimenta de trabajo adecuada. No lleve vestidos anchos ni joyas. Mantenga su pelo, vestimenta y guantes alejados de las piezas móviles. La vestimenta suelta, las joyas y el pelo largo se pueden enganchar con las piezas en movimiento.
- d. Cuide el cable eléctrico. No utilice el cable eléctrico para transportar o colgar la herramienta eléctrica, ni tire de él para sacar el enchufe de la toma de corriente. Mantenga el cable eléctrico alejado del calor, aceite, bordes afilados o piezas móviles. Los cables eléctricos dañados o enredados pueden provocar una descarga eléctrica.
- e. Al trabajar con la herramienta eléctrica en la intemperie utilice solamente cables alargadores homologados para su uso en exteriores. La utilización de un cable alargador adecuado para su uso en exteriores reduce el riesgo de una descarga eléctrica.
- f. Si fuera inevitable la utilización de una herramienta eléctrica en un lugar húmedo, utilice un suministro protegido con un dispositivo de corriente residual (RCD). La utilización de un dispositivo de corriente residual reduce el riesgo de descarga eléctrica.

- g. Siempre que sea posible utilizar unos equipos de aspiración o captación de polvo, asegúrese que éstos estén montados y que sean utilizados correctamente. El empleo de equipos de recogida de polvo reduce los riesgos derivados del polvo.

4. Uso y cuidado de herramientas eléctricas

- a. **No sobrecargue la herramienta eléctrica. Use la herramienta eléctrica prevista para el trabajo a realizar.** Con la herramienta eléctrica adecuada podrá trabajar mejor y más seguro dentro del margen de potencia indicado.
- b. **No utilice herramientas eléctricas con un interruptor defectuoso.** Las herramientas eléctricas que no se puedan conectar o desconectar son peligrosas y deben hacerse reparar.
- c. **Desconecte el enchufe de la fuente eléctrica y/o la batería de la herramienta eléctrica antes de realizar ajustes, cambiar accesorios o almacenar la herramienta eléctrica.** Esta medida preventiva reduce el riesgo de conectar accidentalmente la herramienta eléctrica.
- d. **Guarde las herramientas eléctricas fuera del alcance de los niños y de las personas que no estén familiarizadas con su uso.** Las herramientas eléctricas utilizadas por personas inexpertas son peligrosas.
- e. **Cuide sus herramientas eléctricas con esmero.** Controle si funcionan correctamente, sin atascarse, las partes móviles de la herramienta eléctrica, y si existen partes rotas o deterioradas que pudieran afectar al funcionamiento de la herramienta. Si la herramienta eléctrica estuviese defectuosa haga que la reparen antes de volver a utilizarla. Muchos accidentes se deben a herramientas eléctricas con un mantenimiento deficiente.
- f. **Mantenga las herramientas de corte limpias y afiladas.** Las herramientas de corte mantenidas correctamente se dejan guiar y controlar mejor.
- g. **Utilice la herramienta eléctrica, los accesorios y las puntas de la herramienta, etc. de acuerdo a estas instrucciones, teniendo en cuenta las condiciones de trabajo y la tarea a realizar.** El uso de herramientas eléctricas para trabajos diferentes de aquellos para los que han sido concebidas puede resultar peligroso.
5. Servicio técnico
- a. **Haga reparar su herramienta eléctrica sólo por personal técnico autorizado que emplee exclusivamente piezas de repuesto originales.** Solamente así se garantiza la seguridad de la herramienta eléctrica.

Advertencias de seguridad adicionales para herramientas eléctricas



¡Atención! Advertencias de seguridad adicionales para lijadoras

- ◆ **Sujete la herramienta eléctrica únicamente por las empuñaduras aisladas, porque la cinta pueda tocar su propio cable.** Cortar un cable con corriente puede hacer que las partes metálicas al descubierto de la herramienta eléctrica provoquen una descarga al usuario.
- ◆ **Utilice mordazas u otra forma práctica para fijar y soportar la pieza de trabajo a una plataforma estable.** Sujetar el trabajo a mano o contra su cuerpo hace que pierda estabilidad y puede provocar la pérdida de control.
- ◆ **¡Atención!** El contacto o la inhalación de polvo desprendido por aplicaciones de lijado, puede poner en peligro la salud del operario y la de aquellos próximos a usted. Utilice una mascarilla contra el polvo diseñada específicamente para proteger contra el polvo y las emanaciones y asegúrese de que las demás personas que se encuentren dentro de, o que penetren en el área de trabajo, también estén protegidas.
- ◆ Elimine a fondo todo el polvo después de lijar.
- ◆ Tenga especial cuidado cuando lije pinturas que puedan tener contenido de plomo o algunos tipos de maderas y metales que puedan producir polvo tóxico.
 - No permita la entrada de niños ni de mujeres embarazadas al área de trabajo.
 - No ingiera alimentos, beba o fume en la zona de trabajo.
 - Deshágase de las partículas de polvo y demás residuos de un modo seguro.
- ◆ Esta herramienta no está destinada para ser utilizada por personas (niños incluidos) con capacidades físicas, sensoriales o mentales reducidas, o que carezcan de experiencia y conocimiento, a menos que reciban supervisión o instrucción respecto al uso de la misma por una persona responsable de su seguridad. Debe vigilarse a los niños para asegurarse de que no jueguen con el aparato.
- ◆ En este manual de instrucciones se explica el uso previsto. El uso de otros accesorios, adaptadores, o la propia utilización de la herramienta en cualquier forma diferente de las recomendadas en este manual de instrucciones puede constituir un riesgo de lesiones a las personas y/o daños materiales.

Seguridad de otras personas

- ◆ Este aparato no está destinado para ser utilizado por personas (niños incluidos) con capacidades físicas, sensoriales o mentales reducidas, o que carezcan de experiencia y conocimiento, a menos que reciban

supervisión o instrucción respecto al uso del aparato por una persona responsable de su seguridad.

- ◆ Debe vigilarse a los niños para asegurarse de que no jueguen con el aparato.

Riesgos residuales.

El uso de esta herramienta puede producir riesgos residuales adicionales no incluidos en las advertencias de seguridad adjuntas. Estos riesgos se pueden generar por un uso incorrecto, demasiado prolongado, etc.

El cumplimiento de las normas de seguridad correspondientes y el uso de dispositivos de seguridad no evitan ciertos riesgos residuales. Estos riesgos incluyen:

- ◆ Lesiones producidas por el contacto con piezas móviles o giratorias.
- ◆ Lesiones producidas al cambiar cualquier pieza, cuchilla o accesorio.
- ◆ Lesiones producidas al usar una herramienta por un tiempo demasiado prolongado. Si utiliza una herramienta durante períodos de tiempo demasiado prolongados, asegúrese de realizar pausas con frecuencia.
- ◆ Discapacidad auditiva.
- ◆ Riesgos para la salud producidos al respirar el polvo que se genera al usar la herramienta (por ejemplo: en los trabajos con madera, especialmente de roble, haya y tableros de densidad mediana).

Vibración

Los valores declarados de emisión de vibración indicados en los datos técnicos y la declaración de conformidad se han medido de acuerdo a un método de prueba estándar contemplado por la EN 60745 y puede utilizarse para comparar una herramienta con otra. El valor declarado de emisión de vibración también puede utilizarse en una evaluación preliminar de exposición.

¡Atención! El valor de emisión de vibración durante el uso real de la herramienta eléctrica puede variar del valor declarado en función del modo de utilización de la herramienta. El nivel de vibración puede aumentar por encima del valor indicado.

Cuando se evalúe la exposición a la vibración con el fin de determinar las medidas de seguridad exigidas por la 2002/44/CE para proteger a las personas que utilizan herramientas eléctricas en su empleo con regularidad, una estimación de la exposición a la vibración debe considerar las condiciones reales de uso y la forma en que se utiliza la herramienta, teniendo en cuenta incluso todas las partes del ciclo de trabajo como los momentos en que la herramienta se apaga y cuando está conectada sin funcionar además del tiempo de accionamiento.

Etiquetas sobre la herramienta

En la herramienta se indican los siguientes pictogramas:



¡Atención! Para reducir el riesgo de lesiones, el usuario debe leer el manual de instrucciones.

Seguridad eléctrica



La herramienta lleva un doble aislamiento; por lo tanto no requiere una toma a tierra. Compruebe siempre que el suministro eléctrico corresponda con la tensión indicada en la placa de datos.

- ◆ Si el cable eléctrico está estropeado, debe ser sustituido por el fabricante o un servicio técnico autorizado de Black & Decker con el fin de evitar accidentes.

Utilización de un cable alargador

- ◆ Utilice siempre cables alargadores homologados, apropiados para el consumo de corriente de esta herramienta (consulte los datos técnicos). Antes de utilizar el aparato, revise el cable alargador para ver si presenta indicios de daños, envejecimiento o desgaste. Sustituya el cable alargador si estuviera dañado o defectuoso. Si utiliza una bobina de cable, desenrolle siempre el cable completamente. El empleo de cable de prolongación no adecuado para la entrada de corriente de la herramienta, o cable dañado o defectuoso, puede dar lugar a posibles incendios o descargas eléctricas.

Características

Esta herramienta incluye alguna o todas las características siguientes.

1. Interruptor de encendido/apagado
2. Salida para extracción de polvo
3. Base de lijado
4. Palanca de sujeción del papel de lija
5. Pomo de control de velocidad variable

Montaje

¡Atención! Antes de proceder al montaje, compruebe que la herramienta está apagada y desenchufada.

Colocación de las hojas para lijar (fig. A & B1 - B3)

¡Atención! No utilice nunca la herramienta sin papel de lija o el accesorio colocado en su sitio.

Colocación de hojas de papel de lija con bucles de nylon (fig. A)

- ◆ Asegúrese de que la herramienta esté apagada y desenchufada de la red.
- ◆ Presione, de manera firme y uniforme, la hoja de papel de

lija contra la base de la lijadora (3), asegurándose de que los orificios de la hoja de papel de lija coincidan con los orificios de la base de la lijadora.

Colocación de las hojas para lijar normales (fig. B1 - B3)

- ◆ Asegúrese de que la herramienta esté apagada y desenchufada de la red.
- ◆ Suavice la hoja de papel de lija frotándola, por la parte no abrasiva, contra el canto de una mesa de trabajo.
- ◆ Levante las palancas de sujeción del papel de lija (4), haciendo presión hacia arriba, para sacarlas de las ranuras de retención, y abra las presillas de sujeción del papel de lija, haciendo presión sobre ellas hacia abajo (fig. B1).
- ◆ Coloque la hoja de papel de lija sobre la base de la lijadora (3), y asegúrese de que los orificios de la hoja de papel de lija coincidan con los de la base de la lijadora (fig. B2).
- ◆ Introduzca el borde de la hoja de papel de lija en la presilla delantera para el papel de lija, como se indica (fig. B3).
- ◆ Presione hacia abajo la palanca de la presilla delantera para el papel de lija (4) y sitúela en la ranura de retención.
- ◆ Manteniendo una ligera tensión sobre la hoja de papel de lija, inserte el borde trasero de la hoja en la presilla trasera para el papel de lija.
- ◆ Presione hacia abajo la palanca de la presilla trasera para el papel de lija (4) y sitúela en la ranura de retención.

Montaje y desmontaje de la bolsa de recogida de polvo (fig. C)

- ◆ Acople la bolsa de recolección del polvo (6) al orificio de extracción de polvo (2).
- ◆ Introduzca la bolsa de recolección del polvo en la herramienta y asegúrese de que quede bien fijado.
- ◆ Para extraer la bolsa de recolección del polvo, tire de la bolsa hacia atrás y hacia fuera del orificio.

Uso

¡Atención! Deje que la herramienta funcione a su ritmo. No lo sobrecargue.

KA320E - Control de velocidad variable

El control de velocidad variable le permite adaptar la velocidad de la herramienta al material de la pieza que vaya a lijar.

- ◆ Coloque el selector de control (5) en la posición deseada. Utilice una velocidad alta para lijar madera, una velocidad media para madera chapada y materiales sintéticos y una velocidad baja para vidrio acrílico, metales no ferrosos y para eliminar pinturas.

Encendido y apagado (fig. D)

- ◆ Para encender la lijadora, oprima la parte frontal I del interruptor on/off (1).

- ◆ Para apagar la herramienta, pulse la parte trasera O del interruptor on/off.

Vaciado de la bolsa de recolección del polvo (fig. C)

La bolsa para la recolección del polvo (6) debe vaciarse cada 10 minutos de uso.

- ◆ Tire de la bolsa (6) hacia atrás para sacarla de la herramienta.
- ◆ Incline la boquilla hacia abajo y sacuda la bolsa de recolección del polvo (6) para vaciar su contenido.
- ◆ Introduzca la bolsa de recolección del polvo (6) en la herramienta y asegúrese de que quede bien fijado.

Consejos para un uso óptimo (fig. E)

- ◆ Sujete siempre la herramienta con las dos manos.
- ◆ No ejerza demasiada presión sobre la herramienta.
- ◆ Compruebe, periódicamente, el estado de la hoja de lija. Sustitúyala cuando sea necesario.
- ◆ Lije siempre en el sentido de la veta de la madera.
- ◆ Para lijar capas de pintura nuevas antes de aplicar otra capa, utilice un papel de lija de grano extrafino.
- ◆ En superficies muy desiguales o cuando vaya a quitar capas de pintura, comience con un papel de lija de grano grueso. Sobre otras superficies, comience con un papel de lija de grano medio. En ambos casos, cambie gradualmente a un papel de lija de grano fino para lograr un buen acabado.
- ◆ Consulte a su proveedor para obtener más información sobre los accesorios que están a la venta.

Accesorios

El rendimiento de la herramienta dependerá del accesorio utilizado. Los accesorios de Black & Decker y Piranha están fabricados según las más altas normas de calidad para ampliar el rendimiento de la herramienta. Utilizando estos accesorios, logrará aprovechar al máximo la herramienta.

Mantenimiento

La herramienta ha sido diseñada para que funcione durante un largo periodo de tiempo con un mantenimiento mínimo. El funcionamiento satisfactorio continuado depende de un cuidado apropiado y una limpieza periódica de la herramienta.

¡Advertencia! Antes de realizar cualquier tipo de mantenimiento, apague y desenchufe la herramienta.

- ◆ Limpie periódicamente las ranuras de ventilación de la herramienta con un cepillo suave o un paño seco.
- ◆ Limpie periódicamente la carcasa del motor con un paño húmedo. No utilice ninguna sustancia limpiadora abrasiva o que contenga disolventes.

Protección del medio ambiente



Separación de desechos. Este producto no debe desecharse con la basura doméstica normal.

Si llega el momento de reemplazar su producto Black & Decker o éste ha dejado de tener utilidad para usted, no lo deseche con la basura doméstica normal. Asegúrese de que este producto se deseche por separado.



La separación de desechos de productos usados y embalajes permite que los materiales puedan reciclarse y reutilizarse. La reutilización de materiales reciclados ayuda a evitar la contaminación medioambiental y reduce la demanda de materias primas.

La normativa local puede prever la separación de desechos de productos eléctricos de uso doméstico en centros municipales de recogida de desechos o a través del distribuidor cuando adquiere un nuevo producto.

Black & Decker proporciona facilidades para la recogida y el reciclado de los productos Black & Decker que hayan llegado al final de su vida útil. Para hacer uso de este servicio, devuelva su producto a cualquier servicio técnico autorizado, que lo recogerá en nuestro nombre.

Pueden consultar la dirección de su servicio técnico más cercano poniéndose en contacto con la oficina local de Black & Decker en la dirección que se indica en este manual. Como alternativa, puede consultar en Internet la lista de servicios técnicos autorizados e información completa de nuestros servicios de posventa y contactos en la siguiente dirección: www.2helpU.com

Características técnicas

	KA310 Typ.1	KA320E Typ.1
Voltaje	V_{AC} 230	230
Potencia absorbida	W 240	240
Oscilaciones (sin carga)	min^{-1} 30.000	14.000 - 30.000
Órbitas (sin carga)	min^{-1} 15.000	7.000 - 15.000
Superficie de la base de la lijadora	mm 90 x 187	90 x 187
Peso	kg 1,3	1,3

Nivel de la presión acústica según EN 60745:

Presión acústica (L_{pA}) 87 dB(A), incertidumbre (K) 3 dB(A)

Presión acústica (L_{WA}) 98 dB(A), incertidumbre (K) 3 dB(A)

Valores totales de vibración (suma de vector triaxial) según EN 60745:

Valor de emisión de vibración (a_h) 9.8 m/s^2 ,
incertidumbre (K) 1,5 m/s^2

Declaración de conformidad CE

DIRECTIVA SOBRE MÁQUINAS



KA310/KA320E

Black & Decker declara que los productos descritos en "datos técnicos" son conformes con: 2006/42/CE, EN 60745-1, EN 60745-2-4

Si desea información adicional, contacte con Black & Decker en la siguiente dirección o consulte el dorso de este manual.

El abajofirmante es responsable de la compilación del archivo técnico y hace esta declaración en nombre de Black & Decker.

Kevin Hewitt
Vice-President Global Engineering
Black & Decker Europe, 210 Bath Road, Slough,
Berkshire, SL1 3YD
Reino Unido
15/03/2010

Garantía

Black & Decker confía plenamente en la calidad de sus productos y ofrece una garantía extraordinaria. Esta declaración de garantía es una añadida, y en ningún caso un perjuicio para sus derechos estatutarios. La garantía es válida dentro de los territorios de los Estados Miembros de la Unión Europea y de los de la Zona Europea de Libre Comercio.

Si un producto Black & Decker resultará defectuoso debido a materiales o mano de obra defectuosos o a la falta de conformidad, Black & Decker garantiza, dentro de los 24 meses de la fecha de compra, la sustitución de las piezas defectuosas, la reparación de los productos sujetos a un desgaste y rotura razonables o la sustitución de tales productos para garantizar al cliente el mínimo de inconvenientes, a menos que:

- ◆ El producto haya sido utilizado con propósitos comerciales, profesionales o de alquiler;
- ◆ El producto haya sido sometido a un uso inadecuado o negligente;
- ◆ El producto haya sufrido daños causados por objetos o sustancias extrañas o accidentes;
- ◆ Se hayan realizado reparaciones por parte de personas que no sean los servicios de reparación autorizados o personal de servicios de Black & Decker.

Para reclamar en garantía, será necesario que presente la prueba de compra al vendedor o al servicio técnico de reparaciones autorizado. Pueden consultar la dirección de su servicio técnico más cercano poniéndose en contacto con la oficina local de Black & Decker en la dirección que se indica en este manual. Como alternativa, se puede consultar en Internet, en la dirección siguiente, la lista de servicios técnicos autorizados e información completa de nuestros servicios de postventa y contactos:

www.2helpU.com

Visite nuestro sitio web www.blackanddecker.eu para registrar su nuevo producto Black & Decker y mantenerse al día sobre nuestros productos y ofertas especiales. Encontrará información adicional sobre la marca Black & Decker y nuestra gama de productos en www.blackanddecker.eu

Utilização

A sua lixadora Black & Decker foi projectada para lixar madeira, metal, plástico e superfícies pintadas. Esta ferramenta destina-se apenas ao doméstico.

Instruções de segurança

Avisos de segurança gerais para ferramentas eléctricas



Advertência! Leia todos os avisos de segurança e instruções. O não cumprimento dos avisos e instruções a seguir pode resultar em choque eléctrico, incêndio e/ou graves lesões.

Guarde todos os avisos e instruções para futura referência. O termo "ferramenta eléctrica", utilizado nas advertências que se seguem, refere-se a ferramentas eléctricas com ligação à corrente eléctrica (com fios) ou operadas a pilha (sem fios).

1. Segurança na área de trabalho

- Mantenha a sua área de trabalho limpa e bem iluminada.** Desordem ou áreas de trabalho com fraca iluminação podem causar acidentes.
- Não utilize ferramentas eléctricas em áreas com risco de explosão, nas quais se encontrem líquidos, gases ou pós inflamáveis.** As ferramentas eléctricas produzem faíscas que podem provocar a ignição de pó e vapores.
- Mantenha crianças e outras pessoas afastadas durante a utilização de ferramentas eléctricas.** As distrações podem dar origem a que perca o controlo da ferramenta.

2. Segurança eléctrica

- A ficha da ferramenta eléctrica deve caber na tomada. A ficha não deve ser modificada de modo algum. Não utilize quaisquer fichas de adaptação com ferramentas eléctricas ligadas à terra.** Fichas inalteradas e tomadas adequadas reduzem o risco de choques eléctricos.
- Evite que o corpo entre em contacto com superfícies ligadas à terra, como por exemplo tubos, radiadores, fogões e frigoríficos.** Há um risco elevado de choques eléctricos, caso o corpo seja ligado à terra.
- As ferramentas eléctricas não devem ser expostas à chuva nem a humidade.** A penetração de água numa ferramenta eléctrica aumenta o risco de choques eléctricos.
- Manuseie o cabo com cuidado. O cabo da ferramenta não deve ser utilizado para o transporte, para puxar a ferramenta, nem para retirar a ficha da tomada. Mantenha o cabo afastado de calor, óleo, cantos afiados ou peças em movimento.** Cabos danificados ou torcidos aumentam o risco de choques eléctricos.
- Ao trabalhar com a ferramenta eléctrica ao ar livre,**

use um cabo de extensão apropriado para utilização no exterior. O uso de um cabo apropriado para utilização no exterior reduz o risco de choques eléctricos.

- Quando a utilização de uma ferramenta eléctrica num local húmido é inevitável, utilize uma fonte de alimentação protegida com um dispositivo de corrente residual (RCD).** A utilização de um RCD reduz o risco de choques eléctricos.
- Segurança pessoal**
 - Mantenha-se atento, observe o que está a fazer e seja prudente durante a utilização de uma ferramenta eléctrica. Não use a ferramenta eléctrica se estiver cansado ou sob a influência de drogas, álcool ou medicamentos.** Um momento de falta de atenção durante a utilização de ferramentas eléctricas pode causar graves lesões.
 - Use equipamento de protecção pessoal. Utilize sempre óculos de protecção.** A utilização de equipamento de protecção pessoal, como por exemplo, máscara de protecção contra pó, sapatos de segurança anti-derrapantes, capacete de segurança ou protecção auricular, de acordo com o tipo e aplicação da ferramenta eléctrica, reduz o risco de lesões.
 - Evite o accionamento involuntário. Certifique-se de que o interruptor está na posição desligada antes de ligar a ferramenta à corrente eléctrica ou a uma bateria, antes de elevar ou transportar a mesma.** O transporte de ferramentas eléctricas com o dedo no interruptor ou a ligação das mesmas à corrente eléctrica com o interruptor ligado provoca acidentes.
 - Retire eventuais chaves de ajuste ou chaves de fenda, antes de ligar a ferramenta eléctrica.** Uma chave de fenda ou chave de ajuste, que se encontre numa peça móvel da ferramenta, pode dar origem a lesões.
 - Não se incline. Mantenha-se sempre bem posicionado e em equilíbrio.** Desta forma, poderá ser mais fácil controlar a ferramenta em situações inesperadas.
 - Utilize vestuário adequado. Não utilize roupas largas nem jóias. Mantenha o cabelo, roupa e luvas afastados de peças em movimento.** Roupas largas, jóias ou cabelos longos podem ser ficar presos nas peças em movimento.
 - Se for prevista a montagem de dispositivos de extracção e recolha de pó, assegure-se de que estão ligados e que são utilizados de forma correcta.** A utilização destes dispositivos reduz os riscos provocados por pó.
 - Utilização e manutenção da ferramenta eléctrica**
 - Não sobrecarregue a ferramenta eléctrica. Utilize a ferramenta eléctrica correcta para o trabalho que irá realizar.** A ferramenta correcta realizará o trabalho de

- forma melhor e mais segura dentro da potência indicada.
- b. **Não utilize a ferramenta eléctrica se o interruptor não puder ser ligado nem desligado.** Qualquer ferramenta eléctrica que não possa ser controlada através do interruptor é perigosa e deve ser reparada.
 - c. **Desligue a ficha da tomada e/ou a bateria da ferramenta eléctrica antes de efectuar quaisquer ajustes, substituir acessórios ou armazenar a ferramenta eléctrica.** Esta medida de segurança evita que a ferramenta eléctrica seja ligada acidentalmente.
 - d. **Mantenha as ferramentas eléctricas que não estiverem a ser utilizadas fora do alcance de crianças.** Não permita que a ferramenta seja utilizada por pessoas não familiarizadas com a mesma ou que não tenham lido estas instruções. As ferramentas eléctricas são perigosas se utilizadas por pessoas não qualificadas.
 - e. **Efectue a manutenção das ferramentas eléctricas. Verifique se as peças móveis funcionam perfeitamente e não emperram, bem como se há peças quebradas ou danificadas que possam influenciar o funcionamento da ferramenta.** Em caso de danos, solicite a reparação da ferramenta eléctrica antes da sua utilização. Muitos acidentes têm como causa uma manutenção insuficiente das ferramentas eléctricas.
 - f. **Mantenha as ferramentas de corte sempre afiadas e limpas.** As ferramentas de corte, sujeitas a uma manutenção adequada e com extremidades de corte afiadas, emperram com menos frequência e podem ser controladas com maior facilidade.
 - g. **Utilize a ferramenta eléctrica, os acessórios e as brocas da ferramenta etc., de acordo com estas instruções. Considere também as condições de trabalho e o trabalho a ser efectuado.** A utilização da ferramenta eléctrica para outros fins que não os previstos pode resultar em situações perigosas.

5. Reparação

- a. **A sua ferramenta eléctrica só deve ser reparada por pessoal qualificado e só devem ser colocadas peças sobressalentes originais.** Desta forma, é assegurada a segurança da ferramenta eléctrica.

Avisos de segurança adicionais para ferramentas eléctricas



Advertência! Avisos de segurança adicionais para lixadoras

- ◆ **Segure sempre a ferramenta pelas superfícies de pega isoladas ao efectuar trabalhos, porque a cinta possa entrar em contacto com o cabo da ferramenta.** Cortar um cabo com tensão coloca as partes metálicas da

ferramenta eléctrica sob tensão, resultando em choque eléctrico.

- ◆ **Utilize grampos ou outra forma prática de fixar e apoiar a peça de trabalho numa plataforma estável.** Segurar a peça com a mão ou contra o corpo deixa-a instável e poderá resultar em perda de controlo.
- ◆ **Advertência!** O contacto com ou a inalação de pós resultantes de trabalhos de lixamento pode pôr em perigo a saúde do operador e de outras pessoas que se encontrem nas proximidades. Utilize uma máscara para poeiras especificamente desenhada para protecção contra poeiras e vapores e assegure-se de que as pessoas que estão na área de trabalho ou que entrem nesta também estão protegidas.
- ◆ Remova completamente toda a poeira após lixar.
- ◆ Tome cuidado especial quando lixar pintura que possa conter chumbo ou quando lixar madeiras ou metais que possam produzir poeira tóxica:
 - Não permita que crianças ou mulheres grávidas entrem na área de trabalho.
 - Não coma, beba nem fume na área de trabalho.
 - Desfaça-se das partículas de poeira e dos detritos de maneira segura.
- ◆ Esta ferramenta não se destina a ser utilizada por pessoas (incluindo crianças) com reduzidas capacidades físicas, sensoriais ou mentais ou falta de experiência e conhecimentos, a menos que tenham recebido instruções ou sejam supervisionadas relativamente à utilização do aparelho por uma pessoa responsável pela sua segurança. As crianças deverão ser vigiadas para que não mexam no aparelho.
- ◆ Neste manual indicam-se as aplicações do aparelho. O uso de qualquer acessório ou da própria ferramenta para realizar quaisquer operações além das recomendadas neste manual de instruções pode dar origem a ferimentos e/ou danos em propriedade.

Segurança de outras pessoas

- ◆ Este aparelho não se destina a ser utilizado por pessoas (incluindo crianças) com reduzidas capacidades físicas, sensoriais ou mentais ou falta de experiência e conhecimentos, a menos que tenham recebido instruções ou sejam supervisionadas relativamente à utilização do aparelho por uma pessoa responsável pela sua segurança.
- ◆ As crianças deverão ser vigiadas para que não brinquem no aparelho.

Riscos residuais.

Podem surgir riscos residuais adicionais durante a utilização da ferramenta que poderão não constar nos avisos de segurança incluídos. Estes riscos podem resultar de má utilização, uso prolongado, etc.

Mesmo com a aplicação dos regulamentos de segurança relevantes e com a implementação de dispositivos de segurança, alguns riscos residuais não podem ser evitados. Incluem:

- ◆ ferimentos causados pelo contacto com peças em rotação/movimento.
- ◆ ferimentos causados durante a troca de peças, lâminas ou acessórios.
- ◆ ferimentos causados pela utilização prolongada de uma ferramenta. Quando utilizar uma ferramenta por períodos prolongados, faça intervalos regulares.
- ◆ diminuição da audição.
- ◆ problemas de saúde causados pela inalação de poeiras resultantes da utilização da ferramenta (exemplo: trabalhos em madeira, especialmente carvalho, faia e MDF.)

Vibração

Os valores de emissão de vibrações declarados, indicados nos dados técnicos e na declaração de conformidade, foram medidos de acordo com um método de teste padrão providenciado por EN 60745 e podem ser utilizados para efectuar a comparação entre ferramentas. O valor de emissão de vibrações declarado pode também ser utilizado numa avaliação preliminar da exposição.

Advertência! O valor de emissão de vibrações durante a utilização da ferramenta eléctrica pode divergir do valor declarado, dependendo do modo como a ferramenta é utilizada. O nível de vibrações pode aumentar relativamente ao nível indicado.

Durante a avaliação da exposição a fim de determinar as medidas de segurança requeridas pela directiva 2002/44/CE para a protecção de pessoas que utilizam regularmente ferramentas eléctricas nas respectivas profissões, o cálculo da exposição a vibrações deve considerar as condições reais de utilização e a forma como a ferramenta é utilizada, incluindo a consideração de todas as partes do ciclo de utilização como, por exemplo, as vezes que a ferramenta é desligada e o tempo em que se encontra a funcionar sem carga para além do tempo de accionamento.

Etiquetas da ferramenta

Aparecem os seguintes pictogramas na ferramenta:



Advertência! Para reduzir o risco de ferimentos, o utilizador deve ler o manual de instruções.

Segurança eléctrica



Esta ferramenta está duplamente isolada, pelo que não necessita de fio de terra. Certifique-se sempre de que o fornecimento de energia corresponde à tensão indicada na placa de identificação.

- ◆ Se o cabo de alimentação estiver danificado, deverá ser substituído pelo fabricante ou por um Centro de Assistência autorizado pela Black & Decker, de modo a evitar perigos.

Extensões

- ◆ Utilize sempre um cabo de extensão aprovado e adequado à potência de entrada desta ferramenta (consulte os dados técnicos). Antes de utilizar, verifique se há sinais de danos, envelhecimento e desgaste no cabo de extensão. Substitua-o se estiver danificado ou apresentar defeitos. No caso de se usar uma bobina, desenrole o cabo todo. O uso de cabos de extensão não adequados para a energia de entrada da ferramenta ou que esteja danificado ou com defeito poderá resultar em riscos de incêndio e choque eléctrico.

Características

Esta ferramenta inclui algumas ou todas as seguintes características.

1. Interruptor de ligar/desligar
2. Saída de extracção de pó
3. Base de lixar
4. Alavanca da abraçadeira para papel
5. Botão de controlo de velocidade variável

Montagem

Advertência! Antes da montagem, certifique-se de que a ferramenta está desligada da corrente eléctrica.

Instalação das folhas de lixa (fig. A & B1 - B3)

Advertência! Nunca utilize a ferramenta sem uma folha de lixa ou acessório no lugar.

Colocação de folhas de lixa com fitas de carrapicho (fig. A)

- ◆ Certifique-se de que a ferramenta esteja desligada no interruptor e retire a tomada da corrente.
- ◆ Pressione a folha de maneira firme e uniforme na base (3) da lixadeira assegurando-se de que os orifícios na folha coincidam com os orifícios na base.

Instalação das folhas de lixa normais (fig. B1 - B3)

- ◆ Certifique-se de que a ferramenta esteja desligada no interruptor e retire a tomada da corrente.
- ◆ Amacie a folha correndo com ela do lado não-abrasivo sobre o rebordo de uma mesa.

- ◆ Carregue para cima nas alavancas da abraçadeira para papel(4) para soltá-las das ranhuras retentoras e abra as abraçadeiras carregando nas mesmas (fig. B1).
- ◆ Posicione a folha na base da lixadeira (3) assegurando-se de que os orifícios na folha coincidam com os orifícios na base (fig. B2).
- ◆ Insira o rebordo da folha de lixa na abraçadeira frontal para papel, conforme o demonstrado (fig. B3).
- ◆ Carregue para baixo na alavanca frontal para papel(4), posicionando-a na ranhura retentora.
- ◆ Insira o rebordo traseiro da folha na abraçadeira traseira, enquanto mantém uma tensão leve sobre a folha.
- ◆ Carregue para baixo na alavanca traseira para papel (4), posicionando-a na ranhura retentora.

Colocação e remoção do saco de pó (fig. C)

- ◆ Encaixe o saco de pó (6) na saída de extracção de pó (2).
- ◆ Empurre o saco de pó para dentro da ferramenta e certifique-se de que fica devidamente colocado.
- ◆ Para remover o saco do pó, puxe o saco para trás e retire-o da saída.

Utilização

Advertência! Deixe que a ferramenta funcione à vontade. Não o sobrecarregue.

KA320E - Controlo de velocidade variável

O controlo de velocidade variável permite adaptar a velocidade da ferramenta ao material a ser trabalhado.

- ◆ Ajuste o botão de controlo (5) conforme o desejado. Utilize uma velocidade elevada para a madeira, uma velocidade média para madeira compensada e material sintético e uma velocidade baixa para vidro acrílico, metal não ferroso e para remoção de tinta.

Como ligar e desligar a ferramenta (fig. D)

- ◆ Para ligar a ferramenta, carregue na parte frontal I da chave(1).
- ◆ Para desligá-la, carregue na parte traseira O da mesma.

Limpar o saco de poeiras (fig. C)

Deve-se limpar o saco (6) de poeiras a cada 10 minutos.

- ◆ Puxe o saco de pó (6) para trás até que se desencaixe da ferramenta.
- ◆ Segure no tubo virado para baixo e abane o saco de pó (6) para o limpar.
- ◆ Empurre o saco de pó (6) para dentro da ferramenta e certifique-se de que fica devidamente colocado.

Sugestões para uma melhor utilização (fig. E)

- ◆ Segure sempre a ferramenta com as duas mãos.
- ◆ Não exerça demasiada pressão na ferramenta.

- ◆ Verifique regularmente o estado de conservação da folha de lixa. Substitua-a quando necessário.
- ◆ Lixe sempre com a granulação da madeira.
- ◆ Quando estiver a lixar novas camadas de tinta antes de aplicar outra camada, utilize granulação extrafina.
- ◆ Em superfícies muito irregulares ou para remover camadas de pintura, comece com uma granulação grossa. Em outras superfícies, comece com uma granulação média. Em ambos os casos, troque gradualmente para uma granulação fina para um acabamento liso.
- ◆ Consulte o seu fornecedor para obter mais informação sobre os acessórios disponíveis.

Acessórios

O desempenho da sua ferramenta depende dos acessórios utilizados. Os acessórios da Black & Decker e Piranha são fabricados de acordo com os mais altos padrões de qualidade e são concebidos para melhorar o desempenho da sua ferramenta. Ao utilizar estes acessórios, poderá tirar um maior partido da sua ferramenta.

Manutenção

Esta ferramenta foi desenvolvida para funcionar por um longo período de tempo, com o mínimo de manutenção.

O funcionamento contínuo e satisfatório depende de limpeza regular e de manutenção adequada.

Advertência! Antes de qualquer procedimento de manutenção, desligue a ferramenta no interruptor e retire a tomada da corrente.

- ◆ Limpe regularmente as fendas de ventilação da ferramenta utilizando uma escova suave ou um pano seco.
- ◆ Limpe regularmente o compartimento do motor utilizando um pano húmido. Não utilize nenhum detergente abrasivo nem à base de solvente.

Protecção do meio ambiente



Recolha em separado. Não deve deitar este produto fora juntamente com o lixo doméstico normal.

Caso chegue o momento em que um dos seus produtos Black & Decker precise de ser substituído ou decida desfazer-se do mesmo, não o deite fora juntamente com o lixo doméstico. Torne este produto disponível para uma recolha em separado.



A recolha em separado de produtos e embalagens utilizados permite que os materiais sejam reciclados e reutilizados. A reutilização de materiais reciclados ajuda a evitar a poluição ambiental e a reduzir a procura de matérias-primas.

Declaração de conformidade CE
DIRECTIVA MÁQUINAS



KA310/KA320E

A Black & Decker declara que os produtos descritos na secção "dados técnicos" se encontram em conformidade com: Directiva 2006/42/CE, EN 60745-1, EN 60745-2-4

Para obter mais informações, queira contactar a Black & Decker através do endereço que se segue ou indicado no verso do manual.

O signatário é responsável pela compilação do ficheiro técnico e apresenta esta declaração em nome da Black & Decker.

Kevin Hewitt

Vice-presidente do Departamento de Engenharia Global
Black & Decker Europe, 210 Bath Road, Slough,
Berkshire, SL1 3YD
Reino Unido
15/03/2010

Os regulamentos locais poderão providenciar a recolha em separado de produtos eléctricos junto das casas, em lixeiras municipais ou junto dos fornecedores ao adquirir um novo produto.

A Black & Decker oferece um serviço de recolha e reciclagem de produtos Black & Decker que tenha atingido o fim das suas vidas úteis. Para tirar proveito deste serviço, devolva seu produto a qualquer agente de reparação autorizado, que se encarregará de recolher o equipamento em nosso nome.

Para verificar a localização do agente de reparação mais próximo de si, contacte o escritório local da Black & Decker no endereço indicado neste manual. Se preferir, consulte a lista de agentes autorizados da Black & Decker e os dados completos dos nossos serviços de atendimento pós-venda na Internet no endereço: www.2helpU.com

Dados técnicos

		KA310 Typ.1	KA320E Typ.1
Voltagem	V_{AC}	230	230
Potência	W	240	240
Oscilações (sem carga)	min. ⁻¹	30.000	14.000 - 30.000
Órbitas (sem carga)	min. ⁻¹	15.000	7.000 - 15.000
Superfície da base de lixar	mm	90 x 187	90 x 187
Peso	kg	1,3	1,3

Nível de pressão de ruído segundo a EN 60745:

Pressão acústica (L_{pA}) 87 dB(A), imprecisão (K) 3 dB(A)

Potência acústica (L_{WA}) 98 dB(A), imprecisão (K) 3 dB(A)

Valores totais de vibração (soma vectorial triaxial) segundo a EN 60745:

Valor de emissão de vibrações (a_h) 9.8 m/s²,
imprecisão (K) 1,5 m/s²

Garantia

A Black & Decker confia na qualidade de seus produtos e oferece um programa de garantia excelente. Esta declaração de garantia soma-se aos seus direitos legais e não os prejudica em nenhum aspecto. A garantia será válida nos territórios dos Estados Membros da União Europeia e na Área de Livre Comércio da Europa.

Caso algum produto da Black & Decker apresente avarias devido a defeitos de material, mão-de-obra ou ausência de conformidade no prazo de 24 meses a partir da data de compra, a Black & Decker garantirá a substituição das peças defeituosas, a reparação dos produtos que foram submetidos a uso adequado e remoção ou substituição dos mesmos para assegurar o mínimo de inconvenientes ao cliente a menos que:

- ◆ O produto tenha sido utilizado para fins comerciais, profissionais ou aluguer;
- ◆ O produto tenha sido submetido a uso incorrecto ou descuido;
- ◆ O produto tenha sofrido danos causados por objectos estranhos, substâncias ou acidentes;
- ◆ Tenha um histórico de reparações efectuadas por terceiros que não sejam os agentes autorizados ou profissionais de manutenção da Black & Decker.

Para activar a garantia, será necessário enviar a prova de compra ao revendedor ou agente de reparação autorizado.

Para verificar a localização do agente de reparação mais próximo de si contacte o escritório local da Black & Decker no endereço indicado neste manual. Se preferir, consulte a lista de agentes autorizados da Black & Decker e os dados completos de nossos serviços de atendimento pós-venda na Internet no endereço: www.2helpU.com

Visite o nosso website www.blackanddecker.eu para registar o seu novo produto Black & Decker e para se manter actualizado sobre novos produtos e ofertas especiais. Estão disponíveis mais informações sobre a Black & Decker e sobre a nossa gama de produtos em www.blackanddecker.eu

Användningsområde

Denna Black & Decker slipmaskin är avsedd för slipning av trä, metall, plast och målade ytor. Verktøget är endast avsett som konsumentverktøget.

Säkerhetsregler

Allmänna säkerhetsvarningar för motordrivna verktyg



Varning! Läs alla säkerhetsvarningar och alla anvisningar. Fel som uppstår till följd av att varningarna och anvisningarna nedan inte följts kan orsaka elchock, brand och/eller allvarliga kroppsskador.

Spara alla varningar och anvisningar för framtida referens. Nedan använt begrepp lverktøget hänför sig till nätdrivna elverktøget (med nätsladd) och till batteridrivna elverktøget (sladdlösa).

1. Säkerhet för arbetsområdet
 - a. Håll arbetsplatsen ren och välbelyst. Oordning på arbetsplatsen och dåligt belyst arbetsområde kan leda till olyckor.
 - b. Använd inte elverktøget i explosionsfarlig omgivning med brännbara vätskor, gaser eller damm. Elverktøgen alstrar gnistor som kan antända dammet eller gaserna.
 - c. Håll under arbetet med elverktøget barn och obehöriga personer på betryggande avstånd. Om du störs av obehöriga personer kan du förlora kontrollen över elverktøget.
2. Elsäkerhet
 - a. Elverktøgets stickkontakt måste passa i vägguttaget. Ändra aldrig stickkontakten på något sätt. Använd inte adapterkontakter tillsammans med skyddsjordade elverktøget. Oförändrade stickkontakter och passande vägguttag minskar risken för elchock.
 - b. Undvik kroppskontakt med jordade ytor som t.ex. rör, värmeelement, spisar och kylskåp. Det finns en större risk för elchock om din kropp är jordad.
 - c. Skydda elverktøget mot regn och väta. Tränger vatten in i ett elverktøget ökar risken för elchock.
 - d. Misshandla inte nätsladden. Använd inte sladden för att bära eller hänga upp elverktøget och inte heller för att dra stickproppen ur vägguttaget. Håll nätsladden på avstånd från värme, olja, skarpa kanter och rörliga maskindelar. Skadade eller tilltrasslade sladdar ökar risken för elchock.
 - e. Använd endast förlängningssladdar som är godkända för utomhusbruk när du arbetar med ett elverktøget utomhus. Om en förlängningssladd avsedd för utomhusbruk används minskar risken för elchock.
3. Personlig säkerhet
 - a. Var uppmärksam, se på vad du gör och använd elverktøget med förnuft. Använd inte elverktøget när du är trött eller om du är påverkad av droger, alkohol eller mediciner. Under användning av elverktøget kan ett ögonblicks bristande uppmärksamhet leda till allvarliga kroppsskador.
 - b. Använd personlig skyddsutrustning. Bär alltid skyddsglasögon. Den personliga skyddsutrustningen, som t.ex. dammfiltermask, halkfria skyddsskor, hjälm eller hörselskydd, som bör användas under de gällande omständigheterna minskar risken för kroppsskada.
 - c. Undvik att verktøget startas av misstag. Kontrollera att strömställaren står i läge från innan du ansluter till vägguttaget och/eller batteripaketet, lyfter upp eller bär verktøget. Det kan vara mycket farligt att bära ett elverktøget med fingret på strömbrytaren eller koppla det till nätet med strömbrytaren på.
 - d. Ta bort alla inställningsverktøget och skruvnycklar innan du startar elverktøget. Ett verktøget eller en nyckel i en roterande komponent kan medföra kroppsskada.
 - e. Sträck dig inte för långt. Se till att du alltid har säkert fotfäste och balans. På så sätt kan du lättare kontrollera elverktøget i oväntade situationer.
 - f. Bär lämplig klädsel. Bär inte löst hängande kläder eller smycken. Håll hår, kläder och handskar undan från rörliga delar. Löst hängande kläder, smycken och långt hår kan dras in av roterande delar.
 - g. Om elverktøget är utrustat med dammsugnings- och -uppsamlingsutrustning, kontrollera att dessa anordningar är rätt monterade och att de används på korrekt sätt. Dammuppsamling minskar riskerna för dammrelaterade olyckor.
4. Bruk och skötsel av elverktøget
 - a. Överbelasta inte elverktøget. Använd rätt elverktøget för det aktuella arbetet. Med ett lämpligt elverktøget kan du arbeta bättre och säkrare inom angivet effektområde.
 - b. Ett elverktøget med defekt strömbrytare får inte användas. Ett elverktøget som inte kan kopplas till eller från är farligt och måste repareras.
 - c. Dra ut stickkontakten ur vägguttaget och/eller batteripaketet ur det motordrivna verktøget innan inställningar utförs, tillbehörsdelar byts ut eller det motordrivna verktøget ställs undan. Denna skyddsåtgärd förhindrar oavsiktlig inkoppling av elverktøget.
- f. Om man måste använda ett elverktøget på en fuktig plats bör man använda ett uttag som skyddats med en restströmsanordning (RCD). Vid användning av en restströmsanordning (RCD) minskar risken för elektriska stötar.

- d. Förvara elverktygen oåtkomliga för barn. Låt inte elverktyget användas av personer som inte är förtrogna med dess användning eller inte läst denna anvisning. Elverktyg är farliga om de används av oerfarna personer.
 - e. Sköt elverktyget omsorgsfullt. Kontrollera att rörliga komponenter fungerar felfritt och inte kärvar, att komponenter inte brustit eller skadats och inget annat föreligger som kan påverka elverktygets funktioner. Låt skadade delar repareras innan elverktyget används på nytt. Många olyckor orsakas av dåligt skötta elverktyg.
 - f. Håll skärverktyg skarpa och rena. Omsorgsfullt skötta skärverktyg med skarpa eggar fastnar inte så lätt och går lättare att styra.
 - g. Använd det motordrivna verktyget, tillbehör och insatsverktyg etc. enligt dessa anvisningar. Ta hänsyn till arbetsvillkoren och arbetsmomenten. Används elverktyget på icke ändamålsenligt sätt kan farliga situationer uppstå.
5. Service
- a. **Låt endast elverktyget repareras av kvalificerad fackpersonal och med originalreservdelar.**
Detta garanterar att elverktygets säkerhet bibehålls.

Extra säkerhetsvarningar för motordrivna verktyg



Varning! Tillkommande säkerhetsvarningar för slipmaskiner

- ◆ Håll elverktyget endast vid de isolerade handtagen, eftersom bandet kan skada egen nätsladd. Skärning en spänningsförande ledning sätts verktygets metalldelar under spänning vilket kan leda till elektriska stötar.
- ◆ Använd klämmor eller något annat praktiskt sätt för att fästa och stödja arbetsstycket på ett stabilt underlag. Om man håller arbetsstycket med handen eller mot kroppen blir det instabilt och man kan riskera att förlora kontrollen över det.
- ◆ **Varning!** Kontakt med eller inandning av damm som uppkommer vid slipningsarbeten kan vara hälsovådligt för användaren och andra i närheten. Använd en specialkonstruerad ansiktsmask som skyddar mot damm eller ångor, samt se till att personer som vistas på, eller kommer i närheten av arbetsplatsen också är skyddade.
- ◆ Var noga med att ta bort allt slipdamm när slipningen har avslutats.
- ◆ Var speciellt försiktig när du slipar bort färg som eventuellt innehåller bly eller vid slipning av trä- och metallmaterial som kan ge giftigt slipdamm.
 - Låt aldrig barn eller gravida kvinnor vistas på arbetsplatsen.
 - Ät, drick eller rök inte på arbetsplatsen.
 - Släng damm och annat avfall på miljösäker plats.

- ◆ Verktyget är inte avsett att användas av personer (inklusive barn) med försvagade fysiska, sensoriska eller mentala förmågor, eller som saknar erfarenhet och kunskaper, om de inte får övervakning eller undervisning i användning av apparaten av någon som ansvarar för deras säkerhet. Håll uppsyn så att inga barn leker med apparaten.
- ◆ Verktygets avsedda bruk beskrivs i denna bruksanvisning. Bruk av tillbehör eller tillsatser, eller utförande av någon verksamhet med detta verktyg, som inte rekommenderas i denna bruksanvisning kan innebära risk för personskada och/eller skada på egendom.

Andra personers säkerhet

- ◆ Apparaten är inte avsedd att användas av personer (inklusive barn) med försvagade fysiska, sensoriska eller mentala förmågor, eller som saknar erfarenhet och kunskaper, om de inte får övervakning eller undervisning i användning av apparaten av någon som ansvarar för deras säkerhet.
- ◆ Håll uppsyn så att inga barn leker med apparaten.

Övriga risker.

Ytterligare risker som inte finns med i de bifogade säkerhetsföreskrifterna kan uppstå när verktyget används. Dessa risker kan uppstå vid felaktig eller långvarig användning, etc.

Även om alla relevanta säkerhetsföreskrifter följs och säkerhetsanordningar används kan vissa ytterligare risker inte undvikas. Dessa innefattar:

- ◆ Skador orsakade av att roterande/rörliga delar vidrörs.
- ◆ Skador som uppstår vid byte av delar, blad eller tillbehör.
- ◆ Skador som orsakas av långvarig användning av ett verktyg. Se till att ta regelbundna raster när du använder ett verktyg under en längre period.
- ◆ Skador på hörseln.
- ◆ Hälsofaror orsakade av inandning av damm när verktyget används (exempel: arbete med trä, särskilt ek, bok och MDF.)

Skakas

De angivna vibrationsemissionsvärdena i tekniska data / försäkras om överensstämmelse har uppmätts enligt en standardtestmetod som tillhandahålls av EN 60745 och kan användas för att jämföra olika verktyg med varandra.

De angivna vibrationsemissionsvärdena kan även användas för en preliminär beräkning av exponering.

Varning! Vibrationsemissionsvärdet under faktisk användning av elverktyget kan skilja sig från det angivna värdet beroende på hur verktyget används. Vibrationsnivån kan överstiga den angivna nivån.

Vid beräkning av vibrationsexponering för att bestämma säkerhetsåtgärder enligt 2002/44/EG för att skydda personer som regelbundet använder elverktyg i arbetet, bör en beräkning av vibrationsexponeringen ta med i beräkningen de faktiska användningsförhållandena och sättet verktyget används, inkluderande att man tar med i beräkningen alla delar av användningscykeln, förutom själva "avtryckartiden" även t.ex. när verktyget är avstängt och när det går på tomgång.

Märken på verktyget

Följande symboler finns på verktyget:



Varning! För att minska risken för skador måste användaren läsa igenom bruksanvisningen.

Elsäkerhet



Eftersom verktyget är dubbelisolerat behövs ingen jordledare. Kontrollera alltid att nätspänningen överensstämmer med värdet på märkplåten.

- ◆ Om nätsladden är skadad måste den bytas ut av tillverkaren eller en godkänd Black & Deckerserviceverkstad för att undvika en risksituation.

Bruk med förlängningsladd

- ◆ Använd alltid en godkänd förlängningsladd som är lämpad för verktygets strömförbrukning (se tekniska data). Kontrollera före bruk om förlängningsladden är skadad, slitnen eller börjar åldras. Byt ut förlängningsladden om den är skadad eller trasig. Vid bruk av en sladdvinda ska alltid hela sladden lindas av. Det är risk för brand eller elchock om en förlängningsladd används som inte är lämplig för verktygets kraftintag eller som är skadad eller defekt.

Detailbeskrivning

Verktyget har en del eller samtliga av nedanstående funktioner.

1. Strömbrytare
2. Dammutsug
3. Slipfot
4. Fastspänningsspak för slippapper
5. Ratt för variabel hastighet

Montering

Varning! Se till att verktyget är avstängt samt att det inte är anslutet innan monteringen börjar.

Montering av slippapper (fig. A & B1 - B3)

Varning! Använd aldrig verktyget om inte ett slippapper eller annat tillbehör är monterat.

Montering av slippapper med kardborrefäste (fig. A)

- ◆ Kontrollera att verktyget är avstängt samt att sladden är utdragen.
- ◆ Tryck fast slippapperet noggrant och jämnt på slipplattan (3) och se till att hälen i papperet stämmer överens med hälen i plattan.

Montering av vanliga slippapper (fig. B1 - B3)

- ◆ Kontrollera att verktyget är avstängt samt att sladden är utdragen.
- ◆ Mjuka upp slippapperet genom att dra den icke-slipande ytan över en bordskant.
- ◆ Tryck fastspänningsspakarna (4) uppåt, för att lösgöra dem ur spåren, och öppna sedan pappersklämmorna genom att trycka dom nedåt (fig. B1).
- ◆ Placera slippapperet på slipplattan (3) och se till att hälen i papperet korresponderar med hälen i plattan (fig. B2).
- ◆ För in kanten på slippapperet i den främre pappersklämman enligt figuren (fig. B3).
- ◆ Tryck den främre fastspänningsspaken (4) nedåt och in i spåret.
- ◆ Spänn papperet en aning och för in dess bakre kant i den bakre pappersklämman.
- ◆ Tryck den bakre fastspänningsspaken (4) nedåt och in i spåret.

Fastsättning och borttagning av dammpåsen (fig. C)

- ◆ Montera dammpåsen (6) på dammsugningsuttaget (2).
- ◆ Skjut in dammpåsen i verktyget och se till att den sitter ordentligt.
- ◆ Avlägsna dammpåsen genom att dra den bakåt bort från uttaget.

Användning

Varning! Överbelasta inte maskinen, låt den arbeta i sin egen takt.

KA320E - Variabel hastighetskontroll

Du kan anpassa verktygets hastighet till det material som ska slipas med den variabla hastighetskontrollen.

- ◆ Ställ kontrollknappen (5) i önskat läge. Använd höga hastigheter för trä, mellanhastigheter för faner och syntetmaterial, och låga hastigheter för icke-järnmetaller och för att ta bort målarfärg.

Start och stopp (fig. D)

- ◆ Tryck på strömbrytarens (1) främre del I för att slå på verktyget.
- ◆ Tryck på strömbrytarens bakre del O för att stänga av verktyget.

Tömning av damppåse (fig. C)

Töm damppåsen (6) var 10:e minut när du arbetar med verktyget.

- ◆ Dra damppåsen (6) bakåt och tag bort den från verktyget.
- ◆ Håll öppningen neråt och skaka ut innehållet.
- ◆ Skjut in damppåsen (6) i verktyget och se till att den sitter ordentligt.

Råd för bästa resultat (fig. E)

- ◆ Håll alltid säkert i verktyget med båda händerna.
- ◆ Tryck inte för hårt på verktyget.
- ◆ Kontrollera slippapperet regelbundet. Byt slipark vid behov.
- ◆ Slipa alltid i verkets fiberriktning.
- ◆ Använd extra finkornigt slipband mellan strykningarna av nymålade ytor.
- ◆ På mycket ojämna ytor eller vid borttagning av flera färglager bör ett grovkornigt slippapper användas i början. På andra ytor startas slipningen med medelgrovt slippapper. I båda fallen bör ett finkornigare slippapper användas efter hand för att uppnå en jämn och slät yta.
- ◆ Kontakta din återförsäljare för mer information om tillgängliga tillbehör.

Tillbehör

Verktygets användningsområde beror på vilket tillbehör du väljer. Black & Decker- och Piranhatillbehören är av hög kvalitet. Genom att använda dessa tillbehör kan du få ut mesta möjliga av verktyget.

Skötsel

Ditt verktyg har tillverkats för att fungera under lång tid med ett minimum av underhåll. Med rätt underhåll och regelbunden rengöring behåller verktyget sin prestanda.

Varning! Stäng av verktyget och dra ut sladden innan du påbörjar underhåll och skötsel.

- ◆ Rengör regelbundet verktygets luftintag med en mjuk borste eller torr trasa.
- ◆ Rengör kåpan regelbundet med en fuktig trasa. Använd aldrig rengöringsmedel med lösnings- eller slipmedel.

Miljöskydd



Särskild insamling. Denna produkt får inte kastas bland vanliga hushållssopor.

Om du någon gång i framtiden behöver ersätta din Black & Decker-produkt med en ny, eller inte längre behöver den, ska du inte kasta den i hushållssoporna. Denna produkt skall lämnas till särskild insamling.



Efter insamling av använda produkter och förpackningsmaterial kan materialen återvinnas och användas på nytt. Användning av återvunna material skonar miljön och minskar förbrukningen av råvaror.

Enligt lokal lagstiftning kan det förekomma särskilda insamlingar av uttjänt elutrustning från hushåll, antingen vid kommunala miljöstationer eller hos detaljhandlaren när du köper en ny produkt.

Black & Decker erbjuder en insamlings- och återvinningstjänst för Black & Decker-produkter när de en gång har tjänat ut. För att använda den här tjänsten lämnar du in produkten till en auktoriserad B & D -reparatör/representant som tar hand om den för din räkning.

Närmaste auktoriserad Black & Decker-representant finner du genom det lokala Black & Decker-kontoret på adressen i den här manualen. Annars kan du söka på Internet, på listan över auktoriserade Black & Decker-representanter och alla uppgifter om vår kundservice och andra kontakter. www.2helpU.com

Tekniska data

	KA310 Typ.1	KA320E Typ.1
Spänning	V _{ac} 230	230
Ineffekt	W 240	240
Excentersvängningar		
(obelastad)	min ⁻¹ 30.000	14.000 - 30.000
Varv (obelastad)	min ⁻¹ 15.000	7.000 - 15.000
Slipplattans yta	mm 90 x 187	90 x 187
Vikt	kg 1,3	1,3

Bullernivå, uppmätt enligt EN 60745:

Bullernivå (L_{pWA}) 87 dB(A), avvikelse (K) 3 dB(A)

Ljudeffekt (L_{WA}) 98 dB(A), avvikelse (K) 3 dB(A)

Vibrationens totala värde (treaxelvektorsumma) bestämd enligt EN 60745:

Vibrationsemissionsvärde (a_h) 9,8 m/s², avvikelse (K) 1,5 m/s²

EC-förklaring om överensstämmelse

MASKINDIREKTIVET



KA310/KA320E

Black & Decker deklarerar att dessa produkter, beskrivna under "tekniska data", är tillverkade i överensstämmelse med: 2006/42/EG, EN 60745-1, EN 60745-2-4

För mer information, vänligen kontakta Black & Decker på följande adress eller den som anges på handbokens baksida.

Undertecknad är ansvarig för sammanställningen av den tekniska filen och gör denna försäkran som representant för Black & Decker.

Kevin Hewitt
Vice-President Global Engineering
Black & Decker Europe, 210 Bath Road, Slough,
Berkshire, SL1 3YD
Storbritannien
15/03/2010

Reservdelar / reparationer

Reservdelar finns att köpa hos auktoriserade Black & Decker verkstäder, som även ger kostnadsförslag och reparerar våra produkter.

Förteckning över våra auktoriserade verkstäder finns på Internet, vår hemsida www.blackanddecker.se samt www.2helpU.com

Garanti

Black & Decker garanterar att produkten är fri från material- och/eller fabriktionsfel vid leverans till kund. Garantin är i tillägg till konsumentens lagliga rättigheter och påverkar inte dessa. Garantin gäller inom medlemsstaterna i Europeiska Unionen och i det Europeiska Frihandelsområdet.

Om en Black & Decker produkt går sönder på grund av material- och/eller fabriktionsfel eller brister i överensstämmelse med specifikationen, inom 24 månader från köpet, åtar sig Black & Decker att reparera eller byta ut produkten med minsta besvär för kunden.

Garantin gäller inte för fel som beror på:

- ◆ normalt slitage
- ◆ felaktig användning eller skötsel
- ◆ att produkten skadats av främmande föremål, ämnen eller genom olyckshändelse

Garantin gäller inte om reparation har utförts av någon annan än en auktoriserad Black & Decker verkstad.

För att utnyttja garantin skall produkten och inköpskvittot lämnas till återförsäljaren eller till en auktoriserad verkstad senast 2 månader efter det att felet har upptäckts. För information om närmaste auktoriserad verkstad; kontakta det lokala Black & Decker kontoret på den adress som är angiven i bruksanvisningen. En lista på alla auktoriserade verkstäder samt servicevillkor finns även tillgängligt på Internet, adress: www.2helpU.com

Besök vår webbplats www.blackanddecker.se för att registrera din nya Black & Decker-produkt samt för att erhålla information om nya produkter och specialerbjudanden. Vidare information om märket Black & Decker och vårt produktsortiment kan återfinnas på www.blackanddecker.se

Bruksområder

Sliperen fra Black & Decker er konstruert for sliping av treverk, metall, plast og malte overflater. Verktøyet er tiltenkt kun som konsumentverktøy.

Sikkerhetsinstruksjoner

Generelle sikkerhetsadvarsler for elektroverktøy



Advarsel! Les alle sikkerhetsadvarsler og alle instruksjoner. Hvis advarsler og instruksjoner ikke følges, kan det medføre elektrisk støt, brann og/eller alvorlige skader.

Ta vare på alle advarsler og instruksjoner for fremtidige oppslag. Uttrykket «elektroverktøy» i alle advarslene nedenfor gjelder for strømdrevne elektroverktøy (med ledning) og batteridrevne elektroverktøy (uten ledning).

1. Sikkerhet i arbeidsområdet

- Hold arbeidsområdet rent og godt opplyst. Rotele arbeidsområder med dårlig belysning kan føre til ulykker.
- Ikke arbeid med elektroverktøy i eksplosjonsfarlige omgivelser hvor det finnes brennbare væsker, gass eller støv. Elektroverktøy forårsaker gnister som kan antenne støv eller røyk.
- Hold barn og andre personer unna når elektroverktøyet brukes. Hvis du blir forstyrret under arbeidet, kan du miste kontrollen.

2. Elektrisk sikkerhet

- Støpselet til elektroverktøyet må passe inn i stikkkontakten. Støpselet må ikke forandres på noen som helst måte. Ikke bruk adapterstøpsler sammen med jordete elektroverktøy. Bruk av originale støpsler og passende stikkontakter reduserer risikoen for elektrisk støt.
- Unngå kroppskontakt med jordete overflater som rør, radiatorer, komfyrer og kjøleskap. Det er større fare for elektrisk støt hvis kroppen din er jordat.
- Utsett ikke elektroverktøy for regn eller fuktighet. Dersom det kommer vann i et elektroverktøy, øker risikoen for elektrisk støt.
- Unngå uforsvarlig behandling av ledningen. Elektroverktøyet må aldri bæres eller trekkes etter ledningen, og trekk heller ikke ut støpselet ved å rykke i ledningen. Hold ledningen unna varme, olje, skarpe kanter eller bevegelige deler. Med skadde eller sammenflokete ledninger øker risikoen for elektrisk støt.
- Når du arbeider utendørs med et elektroverktøy, må du kun bruke en skjøteledning som er godkjent til utendørs bruk. Ved å bruke en skjøteledning som er egnet for utendørs bruk, reduseres risikoen for elektrisk støt.

- Hvis du må bruke et elektrisk verktøy på et fuktig sted, må du bruke en forsyning som er beskyttet med en reststrømsanordning (RCD). Bruk av en RCD reduserer risikoen for støt.

3. Personssikkerhet

- Vær oppmerksom, pass på hva du gjør og vis fornuft når du arbeider med et elektroverktøy. Ikke bruk elektroverktøy når du er trett eller er påvirket av narkotika, alkohol eller medikamenter. Et øyeblikks uoppmerksomhet under bruk av verktøyet kan føre til alvorlige personskader.
 - Bruk personlig verneutstyr. Bruk alltid vernebriller. Verneutstyr som støvmaske, sko med gode såler, hjelm og hørselsvern bør brukes for å redusere risikoen for personskade.
 - Unngå utilsiktet oppstart. Påse at bryteren er i av-stilling før du kopleer til strøm og/eller batteripakke, plukker opp eller bærer verktøyet. Hvis du bærer et elektrisk verktøy med fingeren på bryteren, eller hvis du setter strøm på et verktøy som har bryteren slått på, inviterer du til ulykker.
 - Fjern innstillingsverktøy eller skrunøkler før du slår på elektroverktøyet. Et verktøy eller en nøkkel som befinner seg i en roterende del kan føre til personskade.
 - Ikke strekk deg for langt. Pass på at du alltid har sikkert fotfeste og god balanse. Da kan du kontrollere elektroverktøyet bedre i uventede situasjoner.
 - Bruk alltid egnede klær. Ikke bruk løstsittende klær eller smykker. Hold hår, klær og hansker unna bevegelige deler. Løstsittende klær, smykker eller langt hår kan komme inn i bevegelige deler.
 - Hvis det kan monteres støvavsug- og oppsamlingsinnretninger, må du forvisse deg om at disse er tilkoblet og brukes på riktig måte. Bruk av støvavsug reduserer farer i forbindelse med støv.
- #### 4. Aktsom håndtering og bruk av elektroverktøy
- Ikke bruk makt på elektroverktøyet. Bruk et elektroverktøy som er beregnet på den type arbeid du vil utføre. Med et passende elektroverktøy arbeider du bedre og sikrere i det angitte effektområdet.
 - Ikke bruk elektroverktøyet hvis det ikke lar seg slå på og av med bryteren. Et elektroverktøy som ikke kan kontrolleres med bryteren er farlig og må repareres.
 - Trekk støpselet ut av stikkkontakten og/eller kople fra batteripakken før du utfører innstillinger på et elektrisk verktøy, skifter tilbehør eller legger verktøyet bort. Disse tiltakene reduserer risikoen for en utilsiktet start av elektroverktøyet.
 - Elektroverktøy som ikke er i bruk må oppbevares utilgjengelig for barn. Ikke la verktøyet brukes av personer som ikke er fortrolig med det eller som ikke

- har lest disse bruksanvisningene. Elektroverktøy er farlige når de brukes av uerfarne personer.
- e. Vær nøye med vedlikehold av elektroverktøy. Kontrollør om bevegelige deler fungerer feilfritt og ikke klemmes fast, om deler er brukket eller skadet og andre forhold som kan innvirke på elektroverktøys funksjon. Hvis elektroverktøyet er skadet, må det repareres før bruk. Dårlig vedlikeholdte elektroverktøy er årsaken til mange uhell.
 - f. Hold skjæreverktøy skarpe og rene. Godt vedlikeholdte skjæreverktøy med skarpe egger setter seg ikke så ofte fast og er lettere å føre.
 - g. Bruk elektroverktøy, tilbehør, bor osv. i henhold til disse instruksjonene. Ta hensyn til arbeidsforholdene og arbeidet som skal utføres. Bruk av elektroverktøy til andre formål enn det som er angitt, kan føre til farlige situasjoner.
5. Service
- a. **Elektroverktøyet ditt skal alltid repareres av kvalifisert personell og kun med originale reservedeler.** Dette sikrer at elektroverktøys sikkerhet opprettholdes.

Ekstra sikkerhetsadvarsler for elektroverktøy



Advarsel! Utfyllende sikkerhetsadvarsler for slipemaskiner

- ◆ **Hold elektriske verktøy i de isolerte gripeflatene,** da båndet kan komme i kontakt med sin egen kabel. Skjæring en strømførende ledning vil gjøre verktøys metalldele strømførende og gi operatøren støt.
- ◆ Bruk klemmer eller en annen praktisk måte til å feste arbeidsemnet til et stabilt underlag. Arbeidsemnet blir ustabil og du mister kontroll dersom du holder det i hånden eller inn mot kroppen.
- ◆ **Advarsel!** Kontakt med eller innånding av slipestøv kan være helseskadelig for brukeren og eventuelle andre tilstedeværende. Bruk en spesialmaske som verner mot støv og damp, og pass på at andre som oppholder seg eller kommer inn i området der du arbeider, også beskyttes seg.
- ◆ Fjern alt støv grundig etter sliping.
- ◆ Vær ekstra forsiktig når du pusser maling som kan inneholde bly, eller metall som kan avgi giftig støv:
 - La ikke barn eller gravide komme inn der du arbeider.
 - Ikke spis, drikk eller røyk der du arbeider.
 - Kvitt deg med støvpartikler eller annet avfall på en miljøvennlig måte.
- ◆ Dette verktøyet er ikke beregnet til å brukes av personer (inkludert barn) med redusert fysisk, sansemessig eller mental kapasitet eller mangel på erfaring og kunnskap, med mindre de er under oppsyn eller har fått opplæring

i bruk av verktøyet av en person som har ansvaret for deres sikkerhet. Barn må ha tilsyn for å sikre at de ikke leker med apparatet.

- ◆ Denne instruksjonshåndboken forklarer beregnet bruksmåte. Bruk bare tilbehør og utstyr som anbefales i bruksanvisningen. Bruk av annet verktøy eller tilbehør kan medføre risiko for skade på person og/eller utstyr.

Andre personers sikkerhet

- ◆ Apparatet er ikke beregnet til å brukes av personer (inkludert barn) med redusert fysisk, sansemessig eller mental kapasitet eller mangel på erfaring og kunnskap, med mindre de er under oppsyn eller har fått opplæring i bruk av apparatet av en person som har ansvaret for deres sikkerhet.
- ◆ Barn må ha tilsyn for å sikre at de ikke leker med apparatet.

Andre risikoer.

Ved bruk av verktøyet kan det oppstå ytterligere risikoer som kanskje ikke er inkludert i sikkerhetsadvarslene som følger med. Disse risikoene kan bli forårsaket av feil bruk, langvarig bruk osv.

Selv om de relevante sikkerhetsbestemmelsene blir fulgt, og sikkerhetstiltakene blir gjennomført, kan visse gjenværende risikoer ikke unngås. Disse omfatter:

- ◆ Personskader som forårsakes av berøring av en roterende/bevegelig del.
- ◆ Personskader som forårsakes av at en del, et blad eller tilbehør endres.
- ◆ Personskader som forårsakes av langvarig bruk av et verktøy. Når du bruker et verktøy i lange perioder, må du sørge for å ta regelmessige pauser.
- ◆ Svekket hørsel.
- ◆ Helsefarer som forårsakes av innånding av støv som dannes når du bruker verktøyet (eksempel: arbeid med tre, spesielt eik, bøk og MDF).

Vibrasjon

De erklærte vibrasjonsnivåene i avsnittet Tekniske Data / Samsvarserklæring er målt i samsvar med en standard testmetode som gis av EN 60745, og kan brukes til å sammenligne et verktøy med et annet. Erklært vibrasjonsnivå kan også brukes i en foreløpig vurdering av eksponering.

Advarsel! Vibrasjonsnivået ved faktisk bruk av elektroverktøyet kan variere fra erklært verdi, avhengig av måten verktøyet brukes på. Vibrasjonsnivået kan øke over det oppgitte nivået.

Når du vurderer eksponering til vibrasjon for å bestemme sikkerhetstiltak som anbefalt i 2002/44/EF for å beskytte personer som jevnlig bruker elektroverktøy, bør en estimering av eksponeringen ta hensyn til de faktiske bruksforholdene og måten verktøyet brukes på. Dette inkluderer alle deler av

brukssyklusen som f.eks. tidsperioder da verktøyet er slått av og når det går uten belastning, i tillegg til faktisk arbeidstid.

Etiketter på verktøyet

Følgende symboler befinner seg på verktøyet:



Advarsel! Bruker må lese bruksanvisningen for å redusere faren for skader.

Elektrisk sikkerhet



Dette apparatet er dobbeltisolert. Derfor er ikke jording nødvendig. Kontroller alltid at nettspenningen er i overensstemmelse med spenningen på typeskiltet.

- ◆ Hvis strømledningen skades, må den skiftes ut av fabrikanten eller et autorisert Black & Decker servicesenter for å unngå fare.

Bruk med skjøteledning

- ◆ Bruk en godkjent skjøteledning som er egnet for dette verktøyets kraftbehov (se tekniske data). Før bruk må du kontrollere at skjøteledningen ikke er skadet eller slitt. Skift ut skjøteledningen hvis den er skadet. Hvis du bruker en kabeltrommel, må du alltid vikle ut hele ledningen. Bruk av skjøteledning som er uegnet som strømtilførsel til verktøyet eller som er skadet eller defekt, kan føre til fare for brann og elektrisk støt.

Egenskaper

Dette verktøyet har noen av eller alle disse funksjonene:

1. Strømbryter
2. Åpning for støvuttrekk
3. Slipebase
4. Klemspak for papir
5. Knapp for variabel hastighet

Montering

Advarsel! Før monteringen, må du passe på at verktøyet er slått av og at kontakten er trukket ut.

Montere slipepapir (fig. A & B1 - B3)

Advarsel! Bruk aldri verktøyet uten at slipepapir eller annet tilbehør er montert.

Montere slipepapir med nylonløyfe (fig. A)

- ◆ Kontroller at verktøyet er slått av og koblet fra strømuttaket.
- ◆ Trykk slipepapiret godt og jevnt på slipebasen (3), og sørg for at hullene i sandpapiret er justert med hullene i basen.

Montere vanlig slipepapir (fig. B1 - B3)

- ◆ Kontroller at verktøyet er slått av og koblet fra strømuttaket.
- ◆ Myk opp papiret ved å gni den ikke-slipende siden over en bordkant.
- ◆ Skyv klemspakene for papiret (4) oppover for å løsne dem fra holdersporene, og åpne papirklemmene ved å trykke dem ned (fig. B1).
- ◆ Plasser slipepapiret på slipebasen (3) samtidig som du passer på at hullene i slipepapiret blir justert med hullene i basen (fig. B2).
- ◆ Stikk kanten av slipepapiret inn i den fremre papirklemmen, som vist (fig. B3).
- ◆ Skyv den fremre papirklemmen (4) nedover og inn i holdersporet.
- ◆ Hold papiret ganske stramt, og stikk den bakre kanten inn i den bakre papirklemmen.
- ◆ Skyv den bakre papirklemmen (4) nedover og inn i holdersporet.

Montering og fjerning av støvposen (fig. C)

- ◆ Monter støvposen (6) på åpningen for støvuttrekk (2).
- ◆ Skyv støvposen inn på verktøyet og sørg for at den sitter godt fast.
- ◆ Når du skal fjerne støvposen, trekker du posen bakover og bort fra uttrekket.

Bruk

Advarsel! La verktøyet jobbe med sin egen hastighet. Ikke overbelast det.

KA320E - Variabel hastighetskontroll

Med kontrollknappen for variabel hastighet kan du justere verktøyets hastighet i henhold til materialet du skal arbeide med.

- ◆ Sett kontrollknappen (5) på ønsket innstilling. Bruk høy hastighet til tre, middels hastighet til finér og syntetisk materiale, og lav hastighet for ikke-jern-metall og for fjerning av maling.

Start og stopp (fig. D)

- ◆ For å slå verktøyet på trykker du på fremre del I av på/av-bryteren (1).
- ◆ For å slå verktøyet på trykker du på bakre del O av på/av-bryteren (1).

Tømme støvposen (fig. C)

Støvposen (6) må tømmes hvert 10. minutt under bruk.

- ◆ Trekk støvposen (6) bakover og av verktøyet.
- ◆ Hold åpningen ned og rist støvposen (6) for å tømme den.
- ◆ Skyv støvposen (6) inn på verktøyet og sørg for at den sitter godt fast.

Råd for optimalt resultat (fig. E)

- ◆ Hold alltid verktøyet med begge hender.
- ◆ Ikke trykk for hardt på verktøyet.
- ◆ Sjekk slipepapiret regelmessig. Skift det ut ved behov.
- ◆ Slip alltid i treets fiberretning.
- ◆ Når du skal slippe nye malingsstrøk før du skal male et nytt strøk, bruker du ekstra finkornet slipepapir.
- ◆ På veldig ujevne overflater, eller når du skal fjerne flere lag med maling, begynner du med et grovere slipepapir. På andre overflater begynner du med et middels kornet slipepapir. I begge tilfeller bytter du gradvis til mer finkornet slipepapir for å få en glattere overflate.
- ◆ Kontakt forhandleren for å få mer informasjon om tilgjengelig tilbehør.

Tilbehør

Verktøyets bruksområde er avhengig av hvilket tilbehør du velger. Tilbehør fra Black & Decker og Piranha er utformet i henhold til høye kvalitetsstandarder og er utformet for å gi optimal ytelse ved bruk sammen med ditt verktøy. Når du bruker dette tilbehøret, får du optimal ytelse fra ditt verktøy.

Vedlikehold

Verktøyet ditt er konstruert for å være i drift over lengre tid med et minimum av vedlikehold. Det er avhengig av godt vedlikehold og regelmessig rengjøring for å fungere som det skal til enhver tid.

Advarsel! Før alt vedlikehold må verktøyet slås av og kontakten trekkes ut.

- ◆ Rengjør ventilasjonsåpningene på verktøyet regelmessig med en myk børste eller en tørr klut.
- ◆ Rengjør motorhuset regelmessig med en fuktig klut. Ikke bruk slipende eller løsemiddelbaserte rengjøringsmidler.

Miljøvern



Kildesortering. Dette produktet må ikke kastes i det vanlige husholdningsavfallet.

Hvis du finner ut at Black & Decker-produktet ditt må skiftes ut, eller hvis du ikke lenger har bruk for det, må du unnlate å kaste det sammen med det vanlige husholdningsavfallet. Sørg for at dette produktet gjøres tilgjengelig for kildesortering.



Kildesortering av brukte produkter og emballasje gjør det mulig å resirkulere materialer og bruke dem igjen. Gjenbruk av resirkulerte materialer bidrar til å forhindre forurensning av miljøet og reduserer behovet for råmaterialer.

Lokale regelverk kan legge tilrette for kildesortering av elektriske produkter fra husholdningen, ved kommunale deponier eller gjennom forhandleren når du kjøper et nytt produkt.

Black & Decker har tilrettelagt for innsamling og resirkulering av Black & Decker-produkter etter at de har utspilt sin rolle. Ønsker du å benytte deg av denne tjenesten, returnerer du produktet ditt til et autorisert serviceverksted, som tar det imot og formidler det videre.

Du kan få adressen til ditt nærmeste autoriserte serviceverksted ved å kontakte ditt lokale Black & Decker-kontor på adressen oppgitt i denne håndboken. Du kan også finne en komplett liste over autoriserte Black & Decker-serviceverksteder og utfyllende informasjon om vår etter salg-service og kontaktnumre på Internett på følgende adresse: www.2helpU.com

Tekniske data

		KA310 Typ.1	KA320E Typ.1
Spenning	V_{AC}	230	230
Inn-effekt	W	240	240
Svingninger (ubelastet)	min^{-1}	30.000	14.000 - 30.000
Eksentersvingninger (ubelastet)	min^{-1}	15.000	7.000 - 15.000
Slipebaseoverflate	mm	90 x 187	90 x 187
Vekt	kg	1,3	1,3

Lydnivået, målt i henhold til EN 60745:

Lydtrykk (L_{pA}) 87 dB(A), usikkerhet (K) 3 dB(A)

Lydeffekt (L_{WA}) 98 dB(A), usikkerhet (K) 3 dB(A)

Totalverdier, vibrasjon (triax vektorsum) bestemt ifølge EN 60745:

Vibrasjonsverdi (a_{hV}) 9,8 m/s^2 , usikkerhet (K) 1,5 m/s^2

Samsvarserklæring for EU

MASKINDIREKTIVET



KA310/KA320E

Black & Decker erklærer at produktene som beskrives under "tekniske data" oppfyller kravene til: 2006/42/EF, EN 60745-1, EN 60745-2-4

For mer informasjon, kontakt Black & Decker på følgende adresse eller se bakerst i håndboken.

Undertegnede er ansvarlig for sammenstillingen av den tekniske filen og avgir denne erklæringen på vegne av Black & Decker.

Kevin Hewitt
Visepresident, Global Engineering
Black & Decker Europe, 210 Bath Road, Slough,
Berkshire, SL1 3YD
Storbritannia
15/03/2010

Reservdeler / reparasjoner

Reservdeler kan kjøpes hos autoriserte Black & Decker serviceverksteder, som også gir kostnadsoverslag og reparerer våre produkter.

Oversikt over våre autoriserte serviceverksteder finnes på Internet, vår hjemmeside www.blackanddecker.no samt www.2helpU.com

Garanti

Black & Decker garanterer at produktet ikke har material- og/eller fabrikkasjonsfeil ved levering til kunde. Garantien er i tillegg til kundens lovlige rettigheter og påvirker ikke disse. Garantien gjelder innen medlemsstatene i den Europeiske Unionen og i det Europeiske Frihandelsområdet.

Hvis et Black & Decker produkt går i stykker på grunn av material- og/eller fabrikkasjonsfeil eller har mangler i forhold til spesifikasjonene, innen 24 måneder fra kjøpet, påtar Black & Decker seg å reparere eller bytte ut produktet med minst mulig vanskelighet for kunden.

Garantien gjelder ikke for feil som kommer av:

- ◆ normal slittasje
- ◆ feilaktig bruk eller vedlikehold (mislighold)
- ◆ at produktet har blitt skadet av fremmede gjenstander, emner eller ved et uhell

Det gjøres oppmerksom på at produktet ikke er beregnet på industriell/profesjonell/yrkesmessig bruk, men til hus- og hjemmebruk.

Garantien gjelder ikke om reparasjoner har blitt utført av noen andre enn et autorisert Black & Decker serviceverksted.

For å ta garantien i bruk skal produktet og kjøpekvittring leveres til forhandleren eller til et autorisert serviceverksted senest 2 måneder etter at feilen har blitt oppdaget.

For informasjon om nærmeste autoriserte serviceverksted; kontakt det lokale Black & Decker kontoret på den adressen som er angitt i bruksanvisningen. En oversikt over alle autoriserte serviceverksteder samt servicevilkår finnes også tilgjengelig på Internet, adresse: www.2helpU.com

Vennligst stikk innom våre nettsider på www.blackanddecker.no for å registrere ditt nye Black & Decker-produkt og for å holde deg oppdatert om nye produkter og spesialtilbud. Du finner mer informasjon om Black & Decker og produktutvalget vårt på www.blackanddecker.no

Anvendelsesområde

Din Black & Decker slibemaskine er designet til slibning af træ, metal, plastik og malede overflader. Værktøjet er kun beregnet til privat brug.

Sikkerhedsinstruktioner

Generelle sikkerhedsadvarsler for værktøjet



Advarsel! Læs alle sikkerhedsadvarsler og instrukser. Hvis nedenstående advarsler og instrukser ikke følges, er der risiko for elektrisk stød, brand og/eller alvorlige personskader.

Gem alle advarsler og instruktioner til fremtidig brug.

Det benyttede begreb "el-værktøj" i nedennævnte advarsler refererer til el-netdrevne (med tilslutningsledning) eller batteridrevne maskiner (uden tilslutningsledning).

1. Sikkerhed i arbejdsområdet
 - a. Sørg for, at arbejdsområdet er rent og ryddeligt. Rodede eller uoplyste arbejdsområder øger faren for uheld.
 - b. Brug ikke el-værktøj i eksplosionsstruede omgivelser, f.eks. hvor der er brændbare væsker, gasser eller støv. El-værktøj kan slå gnister, der kan antænde støv eller dampe.
 - c. Sørg for, at børn og andre personer holder sig på afstand, når el-værktøjet er i brug. Hvis man distraheres, kan man miste kontrollen over maskinen.
2. El-sikkerhed
 - a. El-værktøjsstik skal passe til kontakten. Stikkene må under ingen omstændigheder ændres. Brug ikke adapterstik sammen med jordforbundet el-værktøj. Uændrede stik, der passer til kontakterne, nedsætter risikoen for elektrisk stød.
 - b. **Undgå kropskontakt med jordfødne overflader** som f.eks. rør, radiatorer, komfurer og køleskabe. Hvis din krop er jordforbundet, øges risikoen for elektrisk stød.
 - c. El-værktøj må ikke udsættes for regn eller fugt. Indtrængen af vand i el-værktøj øger risikoen for elektrisk stød.
 - d. Undgå at ødelægge ledningen. Undgå at bære, trække eller afbryde el-værktøjet ved at rykke i ledningen. Beskyt ledningen mod varme, olie, skarpe kanter eller maskindele, der er i bevægelse. Beskadigede eller indviklede ledninger øger risikoen for elektrisk stød.
 - e. Hvis el-værktøj benyttes i det fri, skal der benyttes en forlængerledning, som er godkendt til udendørs brug. Brug af en forlængerledning til udendørs brug nedsætter risikoen for elektrisk stød.
 - f. Ved anvendelse af et elektrisk værktøj i områder med damp, anvend da en beskyttende afskærmning. Denne afskærmning reducerer risikoen for elektrisk stød.
3. Personlig sikkerhed
 - a. Vær opmærksom, hold øje med, hvad du laver, og brug el-værktøjet fornuftigt. Man bør ikke bruge maskinen, hvis man er træt, har nydt alkohol eller er påvirket af medicin eller euforiserende stoffer. Få sekunders uopmærksomhed ved brug af el-værktøjet kan føre til alvorlige personskader.
 - b. Anvend sikkerhedsudstyr. Bær altid beskyttelsesbriller. Beskyttende udstyr, som en støvmaske, skridsikre sikkerhedssko, beskytteshjelm eller ørepropper anvendt i de rigtige betingelser reducere ulykker.
 - c. Forebyg umotiveret opstart. Vær sikker på, at kontakten er slukket før du forbinder kraftkilden og/eller batteriet, løfter eller bærer værktøjet. Hvis du bærer på værktøjet med din finger på kontakten eller starter værktøjet med kontakten slået til indbyder til ulykker.
 - d. Fjern indstillingsværktøj eller skruenøgle, inden el-værktøjet tændes. Et værktøj eller en nøgle, der efterlades i en roterende del i el-værktøjet, kan resultere i personskader.
 - e. Overvurder ikke dig selv. Sørg for, at du altid har sikkert fodfæste og balance. Det gør det nemmere at kontrollere el-værktøjet, hvis der skulle opstå uventede situationer.
 - f. Brug egnet arbejdstøj. Undgå løse beklædningsgenstande eller smykker. Hold hår, tøj og handsker væk fra dele, der bevæger sig. Bevægelige dele kan gribe fat i løstsiddende tøj, smykker eller langt hår.
 - g. Hvis støvudsugnings- og opsamlingsudstyr kan monteres, er det vigtigt, at dette tilsluttes og benyttes korrekt. Brug af støvopsamling nedsætter risikoen for personskader som følge af støv.
4. Brug og vedligeholdelse af el-værktøj
 - a. Undgå at overbelaste el-værktøjet. Brug altid det rette el-værktøj til opgaven. Med det rigtige el-værktøj udføres arbejdet lettere og sikrere inden for det angivne effektområde.
 - b. Brug ikke el-værktøjet, hvis afbryderen er defekt. El-værktøj, der ikke kan reguleres med afbryderen, er farligt og skal repareres.
 - c. Træk stikket ud af stikkontakten og/eller afmonter batteriet inden indstilling, tilbehørsudskiftning eller opbevaring af el-værktøjet. Disse sikkerhedsforanstaltninger reducerer risikoen for utilsigtet start af værktøjet.
 - d. Opbevar ubenyttet el-værktøj uden for børns rækkevidde. Lad aldrig personer, der ikke er fortrolige med el-værktøj, eller som ikke har gennemlæst disse instrukser, benytte maskinen. El-værktøj er farligt, hvis det benyttes af ukyndige personer.
 - e. El-værktøj bør vedligeholdes omhyggeligt. Kontroller, om bevægelige dele er skæve og ikke sidder fast, og om delene er brækket eller beskadiget, således at

el-værktøjets funktion påvirkes. Få beskadigede dele repareret, inden el-værktøjet tages i brug. Mange uheld skyldes dårligt vedligeholdt el-værktøj.

- f. Sørg for, at skæreværktøjer er skarpe og rene. Omhyggeligt vedligeholdte skæreværktøjer med skarpe skærekanten sætter sig ikke så hurtigt fast og er nemmere at føre.
- g. Brug el-værktøj, tilbehør, indsatsværktøj osv. i overensstemmelse med disse instrukser, og sådan som det kræves for denne specielle værktøjstype. Tag hensyn til arbejdsforholdene og det arbejde, der skal udføres. I tilfælde af anvendelse af el-værktøjet til formål, som ligger uden for det fastsatte anvendelsesområde, kan der opstå farlige situationer.

5. Service

- a. Sørg for, at el-værktøjet kun repareres af kvalificerede fagfolk, og at der kun benyttes originale reservedele. Dermed bevares el-værktøjets sikkerhed.

Yderligere sikkerhedsadvarsler for værktøjet



Advarsel! Yderligere sikkerhedsadvarsler for slibemaskiner

- ◆ Hold kun fast på maskinen på de isolerede **håndtagsflader, fordi båndet kan komme i kontakt** med apparatets eget kabel. Skæring strømførende ledninger, vil metaldelene på værktøjet være under spænding og give elektrisk stød.
- ◆ Brug spænder eller en anden praktisk måde til at sikre **og støtte arbejdsemnet til en stabil flade**. Hvis det holdes i hånden eller mod kroppen, er det ustabil og kan føre til tab af kontrol.
- ◆ **Advarsel!** Hvis brugeren eller eventuelle tilskuere kommer i kontakt med eller indånder støv fra slibningsprocesser, kan det skade deres helbred. Bær en specielt designet støvmaske til beskyttelse mod støv og røg, og sørg for, at personer på arbejdsområdet eller personer, der kommer ind på arbejdsområdet, også er beskyttede.
- ◆ Man skal grundigt fjerne alt støv efter slibning.
- ◆ Man skal være specielt opmærksom ved slibning af maling, som er blybaseret, og ved slibning af nogle typer træ og metal, som kan frembringe giftigt støv:
 - Børn og gravide kvinder må ikke betræde arbejdsområdet.
 - Man må hverken spise, drikke eller ryge inden for arbejdsområdet.
 - Man skal bortskaffe støvpartikler og andet affald på en sikker måde.
- ◆ Dette apparat er ikke egnet til brug for personer (inklusive børn) med manglende evner eller viden omkring produktet, med mindre de har modtaget undervisning eller instruktioner i brug af apparatet fra en person, som er

ansvarlig for sikkerheden. Der skal være opsyn med børn for at sikre, at de ikke leger med maskinen.

- ◆ Det formål, som dette værktøj er beregnet til, er beskrevet i denne brugsanvisning. Brug af andet tilbehør eller udførelse af en anden opgave med dette værktøj end de her anbefalede kan medføre risiko for personskader og/eller skader på materiel.

Andres sikkerhed

- ◆ Dette apparat er ikke egnet for at brug af personer (inklusive børn) med manglende evner eller viden omkring produktet, med mindre de har modtaget undervisning eller instruktioner i brug af apparatet fra en person, som er ansvarlig for sikkerheden.
- ◆ Der skal være opsyn med børn for at sikre, at de ikke leger med apparatet.

Restrisici

Der kan opstå yderligere restrisici under brugen af værktøjet, som ikke kan medtages i vedlagte sikkerhedsadvarsler. Disse risici kan opstå pga. forkert anvendelse, langvarig brug etc. Selv ved overholdelse af relevante sikkerhedsforskrifter og anvendelse af sikkerhedsudstyr kan visse restrisici ikke undgås. Disse omfatter:

- ◆ Tilskadekomst forårsaget af berøring af roterende/ bevægelige dele.
- ◆ Tilskadekomst forårsaget af udskiftning af dele, blade eller tilbehør.
- ◆ Tilskadekomst forårsaget af langvarig brug af et værktøj. Husk at holde pause jævnlige ved brug af et værktøj i længere tid.
- ◆ Høreskader.
- ◆ Sundhedsrisici forårsaget af indånding af støv, der genereres ved brug af værktøjet (eksempel: Arbejde med træ, især, eg, bøg og MDF).

Vibration

De deklarerede vibrationsemissionsværdier, som er angivet i tekniske data og overensstemmelseserklæring er blevet udmålt i overensstemmelse med en standardtestmetode foreskrevet af EN 60745 og kan anvendes til at sammenligne et værktøj med et andet. De deklarerede vibrationsemissionsværdier kan ligeledes anvendes i en præliminær undersøgelse af eksponeringen.

Advarsel! Vibrationsemissionsværdien under den faktiske brug af værktøjet kan variere fra den deklarerede værdi, alt efter hvilken måde værktøjet anvendes på. Vibrationerne kan nå op på et niveau over det anførte.

Når vibrationseksponeringen undersøges med det formål at fastsætte sikkerhedsforanstaltningerne ifølge 2002/44/EF for

at beskytte personer, som regelmæssigt anvender værktøjer i forbindelse med deres arbejde, bør en måling af vibrationseksponeringen betænke, den måde værktøjet anvendes på inklusive alle dele af arbejdsrytmen såsom tidspunkter, hvor værktøjet er slukket eller kører i tomgang, ud over det tidsrum hvor det anvendes.

Etiketter på værktøjet

Følgende piktogrammer ses på værktøjet:



Advarsel! For at mindske risikoen for skader skal brugeren læse instruktionsmanualen.

El-sikkerhed



Denne maskine er dobbelt isoleret. Derfor er jordledning ikke nødvendig. Kontroller altid, at strømforsyningen svarer til spændingen på apparatets klemme.

- ◆ Hvis el-ledningen er skadet, skal den udskiftes af producenten eller et autoriseret Black & Decker servicecenter for at undgå ulykker.

Anvendelse af forlængerledning

- ◆ Brug altid en godkendt forlængerledning, der passer til strømstikket på dette værktøj (se tekniske data). Før brug kontrolleres forlængerkablet for tegn på skader, slid og ældning. Udskift forlængerkablet, hvis den bliver beskadiget eller defekt. Ved anvendelse af en kabeltromle, skal kablet altid vindes helt ud. Brug af et forlængerkabel, der ikke passer til værktøjets strøminput, eller som er beskadiget eller defekt, kan resultere i risiko for brand og elektrisk stød.

Funktioner

Dette værktøj har nogle af - eller alle følgende funktioner:

1. Afbryder
2. Støvudsugningsudgang
3. Slibgrundplade
4. Klemmegreb til papir
5. Betjeningsknop til variabel hastighed

Montering

Advarsel! Før montering skal man sikre sig, at værktøjet er slukket og taget ud af stikkontakten.

Påsætning af slibepapir (fig. A & B1 - B3)

Advarsel! Man må aldrig benytte værktøjet uden slibepapir eller tilbehør.

Påsætning af slibepapir med nylonlækker (fig. A)

- ◆ Man skal sikre sig, at værktøjet er slukket og taget ud af stikkontakten.
- ◆ Tryk papiret fast på slibgrundpladen (3), og sørg for, at hullerne i papiret passer sammen med hullerne i grundpladen.

Påsætning af almindeligt slibepapir (fig. B1 - B3)

- ◆ Man skal sikre sig, at værktøjet er slukket og taget ud af stikkontakten.
- ◆ Blødgør slibepapiret ved at trække den glatte side over kanten på et arbejdsbord.
- ◆ Tryk klemmegrebene til papiret (4) opad for at løsne dem fra holderillerne, og åbn papirklemmerne ved at trykke dem ned (fig. B1).
- ◆ Placér papiret på slibgrundpladen (3), mens det sikres, at hullerne i papiret passer sammen med hullerne i grundpladen (fig. B2).
- ◆ Indsæt kanten af slibepapiret i den forreste papirklemme som vist (fig. B3).
- ◆ Tryk det forreste klemmegreb til papiret (4) ned, og sæt dette i holderillen.
- ◆ Mens papiret holdes let stramt, indsættes den bageste kant i den bageste papirklemme.
- ◆ Tryk det bageste klemmegreb (4) ned, og sæt det i holderillen.

Påsætning og aftagning af støvposen (fig. C)

- ◆ Anbring støvposen (6) på støvudsugningsudgangen (2).
- ◆ Skub støvposen ind på værktøjet og sørg for, at den sidder godt fast.
- ◆ For at aftage støvposen skal den trækkes bagud og fjernes fra udgangen.

Anvendelse

Advarsel! Lad værktøjet arbejde i dets eget tempo. Det må ikke overbelastes.

KA320E - Styring af variabel hastighed

Kontrolknappen til forskellige hastigheder giver dig mulighed for at tilpasse værktøjets hastighed til det emne, der arbejdes på.

- ◆ Indstil kontrolknappen (5) på den ønskede indstilling. Brug høj hastighed til træ, medium hastighed til finér og syntetisk materiale, og lav hastighed til ikke-jernmetal og til at fjerne maling.

Start og stop (fig. D)

- ◆ For at tænde værktøjet skal man trykke på den forreste del I af afbryderen (1).
- ◆ For at slukke værktøjet skal man trykke på den bageste del O af afbryderen.

Tømning af støvposen (fig. C)

Støvposen (6) skal tømmes hvert 10. minut.

- ◆ Træk støvposen (6) bagud og af maskinen.
- ◆ Hold tuden nede og ryst støvposen (6) for at tømme indholdet ud.
- ◆ Skub støvposen (6) ind på værktøjet og sørg for, at den sidder godt fast.

Gode råd til optimalt brug (fig. E)

- ◆ Hold altid værktøjet med begge hænder.
- ◆ Tryk ikke for meget på værktøjet.
- ◆ Man skal regelmæssigt kontrollere slibepapirets tilstand. Det skal udskiftes, når det er nødvendigt.
- ◆ Slib altid med åreerne i træet.
- ◆ Anvend ekstra finkornet slibepapir mellem påføring af nye lag maling.
- ◆ På meget ujævne overflader, eller når man fjerner lag af maling, skal man starte med en grov kornstørrelse. På andre overflader startes der med en mellemfin kornstørrelse. I begge tilfælde skal man gradvist ændre til en fin kornstørrelse for at opnå en glat finish.
- ◆ Få flere oplysninger om tilgængeligt tilbehør hos detailhandleren.

Tilbehør

Værktøjets ydeevne afhænger af, hvilket tilbehør der bruges. Black & Decker og Piranha tilbehør er konstrueret, så det opfylder høje kvalitetsstandarder, og det er beregnet til at forbedre værktøjets ydeevne. Bruger du dette tilbehør, vil du få det allerbedste ud af værktøjet.

Vedligeholdelse

Værktøjet er beregnet til at være i drift gennem en længere periode med minimal vedligeholdelse. Forsat tilfredsstillende drift afhænger af korrekt behandling af værktøjet samt regelmæssig rengøring.

Advarsel! Før udførelse af vedligeholdelsesarbejde skal værktøjet slukkes og tages ud af stikkontakten.

- ◆ Man skal regelmæssigt rengøre værktøjets ventilationshuller med en blød børste eller en tør klud.
- ◆ Man skal regelmæssigt gøre motorhuset rent med en fugtig klud. Man må ikke bruge slibemidler eller opløsningsmidler.

Beskyttelse af miljøet



Separat indsamling. Dette produkt må ikke bortskaffes sammen med almindeligt husholdningsaffald.

Hvis du en dag skal udskifte dit Black & Decker produkt, eller hvis du ikke skal bruge det længere, må du ikke bortskaffe det sammen med husholdningsaffald. Dette produkt skal være tilgængeligt for separat indsamling.



Separat indsamling af brugte produkter og emballage gør det muligt at genbruge materialer. Genbrugte materialer forebygger miljøforurening og nedbringer behovet for råstoffer.

Lokale regler kan give mulighed for separat indsamling af elektriske husholdningsprodukter på kommunale lossepladser eller hos den forhandler, som du købte produktet af.

Black & Decker har en facilitet til indsamling og genbrug af Black & Decker-produkter, når deres levetid er slut. Få fordelene ved denne service ved at returnere produktet til en autoriseret tekniker, der samler værktøj sammen på vores vegne.

Du kan få oplyst den nærmeste autoriserede tekniker ved at kontakte det lokale Black & Decker-kontor på den adresse, der er angivet i denne brugsanvisning. Alternativt findes der en liste over autoriserede Black & Decker-teknikere og oplysninger om vores eftersalgsservice og kontaktpersoner på Internettet på adressen: www.2helpU.com

Tekniske data

		KA310 Typ.1	KA320E Typ.1
Spænding	V_{AC}	230	230
Motoreffekt	W	240	240
Svingninger (uden belastning)	min^{-1}	30.000	14.000 - 30.000
Omløbsbaner (uden belastning)	min^{-1}	15.000	7.000 - 15.000
Slibegrundpladeoverflade	mm	90 x 187	90 x 187
Vægt	kg	1,3	1,3

Lydniveauet i henhold til EN 60745:

Lydtryk (L_{pA}) 87 dB(A), usikkerhed (K) 3 dB(A)
 Lydintensitet (L_{WA}) 98 dB(A), usikkerhed (K) 3 dB(A)

Vibrationernes totale værdi (triax vector sum) i henhold til EN 60745:

Vibrationsemissionsværdi (a_{h}) 9.8 m/s^2 ,
 usikkerhed (K) 1,5 m/s^2

EU overensstemmelseserklæring

MASKINDIREKTIV



KA310/KA320E

Black & Decker erklærer, at disse produkter, beskrevet under "tekniske data", overholder følgende: 2006/42/EF, EN 60745-1, EN 60745-2-4

For mere information, kontakt venligst Black & Decker på følgende adresse eller på adressen bagerst i brugsanvisningen.

Undertegnede er ansvarlig for kompilering af den tekniske fil og laver denne deklaration på vegne af Black & Decker.

Kevin Hewitt
Vice-President Global Engineering
Black & Decker Europe, 210 Bath Road, Slough,
Berkshire, SL1 3YD
Storbritannien
15/03/2010

Reserve dele / reparationer

Reserve dele kan købes hos autoriserede Black & Decker serviceværksteder, som giver forslag til omkostninger og reparerer vore produkter. Oversigt over vore autoriserede værksteder findes på internettet på vor hjemmeside www.blackanddecker.dk samt www.2helpU.com

Garanti

Black & Decker garanterer, at produktet er fri for materielle skader og/eller fabrikationsfejl ved levering til kunden. Garantien er et tillæg til konsumentens lovlige rettigheder og påvirker ikke disse. Garantien gælder indenfor medlemsstaterne af den Europæiske Union og i det Europæiske Frihandelsområde.

Hvis et Black & Decker produkt går i stykker på grund af materiel skade og/eller fabrikationsfejl eller på anden måde ikke fungerer i overensstemmelse med specifikationen, inden for 24 måneder fra købsdatoen, påtager Black & Decker sig at reparere eller ombytte produktet med mindst muligt besvær for kunden.

Garantien gælder ikke for fejl og mangler, der er sket i forbindelse med:

- ◆ normal slitage
- ◆ uheldige følger efter unormal anvendelse af værktøjet
- ◆ overbelastning, hævværk eller overdrevent intensivt brug af værktøjet
- ◆ ulykkehændelse

Garantien gælder ikke hvis reparationer er udført af nogen anden end et autoriseret Black & Decker værksted.

For at udnytte garantien skal produktet og købskvitteringen indleveres til forhandleren eller til et autoriseret værksted, senest 2 måneder efter at fejlen opdages. For information om nærmeste autoriserede værksted: kontakt det lokale Black & Decker kontor på den adresse som er opgivet i brugsanvisningen. Liste over alle autoriserede Black & Decker serviceværksteder samt servicevilkår er tilgængelig på internettet, på adressen www.2helpU.com

Gå venligst ind på vores website www.blackanddecker.dk for at registrere dit nye produkt og for at blive holdt ajour om nye produkter og specialtilbud. Der findes yderligere oplysninger om mærket Black & Decker og vores produktsortiment på adressen www.blackanddecker.dk

Käyttötarkoitus

Black & Deckerin hiomakone on tarkoitettu puun, metallin, muovien ja maalipintojen hiomiseen. Kone on tarkoitettu kotikäyttöön.

Turvaohjeet

Yleiset sähkötyökalujen turvallisuusohjeet



Varoitus! Kaikki ohjeet täytyy lukea. Alla olevien ohjeiden noudattamisen laiminlyönti saattaa johtaa sähköiskun, tulipaloon ja/tai vakavaan loukkaantumiseen.

Säilytä nämä ohjeet hyvin. Seuraavassa käytetty käsite "sähkötyökalu" käsittää verkkokäyttöiset sähkötyökalut (verkkojohdolla) ja paristokäyttöiset sähkötyökalut (ilman verkkojohtoa).

1. Työpisteen turvallisuus

- Pidä työskentelyalue puhtaana ja hyvin valaistuna. Epäjärjestyksessä olevilla ja valaisemattomilla työalueilla voi tapahtua tapaturmia.
- Älä työskentele sähkötyökalulla räjähdysalttiissa ympäristössä, jossa on palavaa nestettä, kaasua tai pölyä. Sähkötyökalu muodostaa kipinöitä, jotka saattavat sytyttää pölyn tai höyryt.
- Pidä lapset ja sivulliset loitolla sähkötyökalua käyttäessäsi. Voit menettää laitteesi hallinnan huomiosi suuntautuessa muualle.

2. Sähköturvallisuus

- Sähkötyökalun pistotulpan tulee sopia pistorasiaan. Pistotulppaa ei saa muuttaa millään tavalla. Älä käytä minkäänlaisia sovitinpistokkeita maadoitettujen sähkötyökalujen kanssa. Alkuperäisessä tilassa olevat pistotulpat ja sopivat pistorasiat vähentävät sähköiskun vaaraa.
- Vältä koskettamasta maadoitettuja pintoja, kuten putkia, pattereita, liesiä tai jääkaappeja. Sähköiskun vaara kasvaa, jos kehosi on maadoitettu.
- Älä altista sähkötyökalua sateelle tai kosteudelle. Veden tunkeutuminen sähkötyökalun sisään kasvattaa sähköiskun riskiä.
- Älä käytä verkkojohtoa väärin. Älä käytä sitä sähkötyökalun kantamiseen, vetämiseen tai pistotulpan irrottamiseen pistorasiasta. Pidä johto loitolla kuumuudesta, öljystä, terävistä reunoista ja liikkuvista osista. Vahingoittuneet tai sotkeutuneet johdot kasvattavat sähköiskun vaaraa.
- Käyttäessäsi sähkötyökalua ulkona, käytä ainoastaan ulkokäyttöön soveltuvaa jatkojohtoa. Ulkokäyttöön

soveltuvan jatkojohdon käyttö pienentää sähköiskun vaaraa.

- Jos sähkötyökalua joudutaan käyttämään kosteassa ympäristössä, käytä aina jännönsvirtalaitteella (RCD) suojattua virtalähdettä. Jännönsvirtalaitteen käyttö vähentää sähköiskun vaaraa.
- Henkilöturvallisuus
 - Ole valpas, kiinnitä huomiota työskentelyysi ja noudata tervettä järjeä sähkötyökalua käyttäessäsi. Älä käytä sähkötyökalua, jos olet väsynyt tai huumeiden, alkoholin tai lääkkeiden vaikutuksen alaisena. Hetken tarkaamattomuus sähkötyökalua käytettäessä saattaa johtaa vakavaan loukkaantumiseen.
 - Käytä suojavarusteita. Käytä aina suojalaseja. Suojavarusteet, kuten pölynsuojanaamari, luistamattomat turvajalkineet, kypärä ja kuulosuojaimet pienentävät, tilanteen mukaan oikein käytettyinä, loukkaantumisriskiä.
 - Vältä sähkötyökalun tahatonta käynnistämistä. Varmista, että käynnistyskytkin on asennossa "off", ennen kuin kytket pistotulpan pistorasiaan tai kannat sähkötyökalua. Jos kannat sähkötyökalua sormi käynnistyskytkimellä tai kytket sähkötyökalun pistotulpan pistorasiaan, käynnistyskytkimen ollessa käyntiasennossa, altistat itsesi onnettomuuksille.
 - Poista kaikki säätötyökalut ja ruuvitaltat, ennen kuin käynnistät sähkötyökalun. Laitteen pyörivään osaan jäänyt työkalu tai avain saattaa johtaa loukkaantumiseen.
 - Älä kurkota. Seiso aina tukevasti ja tasapainossa. Täten voit paremmin hallita sähkötyökalua odottamattomissa tilanteissa.
 - Käytä tarkoitukseen soveltuvia vaatteita. Älä käytä löysiä työvaatteita tai koruja. Pidä hiukset, vaatteet ja käsineet loitolla liikkuvista osista. Väljät vaatteet, korut ja pitkät hiukset voivat takertua liikkuviin osiin.
 - Jos polynimu- ja keräilylaitteita voidaan asentaa työkaluun, sinun pitää tarkistaa, että ne on liitetty ja että niitä käytetään oikealla tavalla. Näiden laitteiden käyttö vähentää pölyn aiheuttamia vaaroja.
 - Sähkötyökalujen käyttö ja hoito
 - Älä ylikuormita sähkötyökalua. Käytä kyseiseen työhön tarkoitettua sähkötyökalua. Sopivaa sähkötyökalua käyttäen työskentelet paremmin ja varmemmin tehoalueella, jolle sähkötyökalu on tarkoitettu.
 - Älä käytä sähkötyökalua, jota ei voida käynnistää ja pysäyttää virtakytkimestä. Sähkötyökalu, jota ei enää voida käynnistää ja pysäyttää käynnistyskytkimellä, on vaarallinen ja se täytyy korjata.
 - Irrrota pistotulppa pistorasiasta, ennen kuin suoritat säätöjä, vaihdat tarvikkeita tai siirrä sähkötyökalun varastoitavaksi. Nämä turvatoimenpiteet laskevat sähkötyökalun tahatonta käynnistysriskiä.

- d. Säilytä sähkötyökalut poissa lasten ulottuvilta, kun niitä ei käytetä. Älä anna sellaisten henkilöiden käyttää sähkötyökalua, jotka eivät tunne sitä tai jotka eivät ole lukeneet tätä käyttöohjetta. Sähkötyökalut ovat vaarallisia, jos niitä käyttävät kokemattomat henkilöt.
- e. Hoida sähkötyökalusi huolella. Tarkista, että liikkuvat osat toimivat moitteettomasti, eivätkä ole puristuksessa ja että työkalussa ei ole murtuneita tai vahingoittuneita osia, jotka saattaisivat vaikuttaa haitallisesti sen toimintaan. Korjauta mahdolliset viat ennen käyttöönottoa. Moni tapaturma aiheutuu huonosti huolletuista laitteista.
- f. Pidä leikkausterät terävinä ja puhtaina. Huolellisesti hoidetut leikkaustyökalut, joiden terät ovat teräviä, eivät tartu helposti kiinni ja niitä on helpompi hallita.
- g. Käytä sähkötyökaluja, tarvikkeita, vaihtotyökaluja jne. näiden ohjeiden mukaisesti. Ota tällöin huomioon työolosuhteet ja suoritettava toimenpide. Sähkötyökalun käyttö muuhun kuin tarkoituksenmukaiseen käyttöön saattaa johtaa vaarallisiin tilanteisiin.

5. Huolto

- a. Anna koulutettujen ammattitaitoisten henkilöiden korjata sähkötyökalusi ja hyväksy korjauksiin vain alkuperäisiä varaosia. Täten varmistat, että sähkötyökalu säilyy turvallisena.

Sähkötyökalujen lisäturvallisuusohjeet



Varoitus! Hiomakoneiden lisäturvallisuusohjeet

- ◆ Käsittele sähkötyökalua eristävien tartuntapintojen avulla, koska nauha voi joutua kosketuksiin oman virtajohtonsa kanssa. Jännitteisen johtimen leikkaaminen saattaa tehdä työkalun paljaista metalliosista jännitteisiä ja aiheuttaa sähköiskun käyttäjälle.
- ◆ Käytä ruuvipuristimia tai vastaavaa keinoa, jolla saat kiinnitettyä ja tuettua työkappaleen tukevalle alustalle. Työkappaleen kannatteleminen käsin tai tukeminen kehoa vasten voi johtaa kappaleen irtoamiseen ja vaaratilanteen syntymiseen.
- ◆ Varoitus! Hiontyöstä syntyvä pöly voi aiheuttaa terveyshaittoja käyttäjälle ja mahdollisille sivullisille. Käytä erityismuotoitua, pölyltä ja höyryiltä suojaavaa kasvosuojusta. Varmista, että sekä työalueella olevat että sen läheisyyteen saapuvat ihmiset käyttävät suojusta.
- ◆ Poista pöly huolellisesti hiomisen jälkeen.
- ◆ Ole erityisen varovainen hioessasi maalipintoja, jotka voivat sisältää lyijyä, tai puu- tai metallipintoja, jotka voivat erittää myrkyllistä hiomapölyä.
 - Älä anna lasten tai raskaana olevien naisten olla työskentelyalueella.

- Älä syö, juo tai tupakoi työskentelyalueella.
- Hävitä pöly ja muu jäte ympäristöstävällisesti.
- ◆ Henkilöt (lapset mukaan lukien), joilla on fyysisiä, tunnollisia tai henkisiä rajoituksia tai rajallinen kokemus ja tuntemus, eivät saa käyttää tätä laitetta ellei heidän turvallisuudesta vastaava henkilö valvo tai ohjaa heitä laitteen käytössä. Lapsia on valvottava, etteivät he leiki koneen kanssa.
- ◆ Käyttö, johon työkalu on tarkoitettu, on kuvattu tässä käyttöohjeessa. Käytä vain käyttöohjeessa ja tuotekuvastossa suositeltuja tarvikkeita ja lisälaitteita. Ohjeesta poikkeava käyttö voi aiheuttaa onnettomuuden ja/tai aineellisia vahinkoja.

Muiden turvallisuus

- ◆ Henkilöt (lapset mukaan lukien), joilla on fyysisiä, tunnollisia tai henkisiä rajoituksia tai rajallinen kokemus ja tuntemus, eivät saa käyttää tätä laitetta ellei heidän turvallisuudesta vastaava henkilö valvo tai ohjaa heitä laitteen käytössä.
- ◆ Lapsia on valvottava, etteivät he leiki koneen kanssa.

Jäännösriskit.

Jäännösriskit ovat mahdollisia, jos käytät työkalua muulla kuin turvavaroituksissa mainitulla tavalla. Nämä riskit voivat liittyä muun muassa virheelliseen tai pitkäaikaiseen käyttöön. Tiettyjä jäännösriskejä ei voi välttää, vaikka noudat kaikkia turvamääräyksiä ja käytät turvalaitteita. Näihin kuuluvat muun muassa:

- ◆ pyörivien tai liikkuvien osien koskettamisen aiheuttamat vahingot.
- ◆ osia, teriä tai lisävarusteita vaihdettaessa aiheutuneet vahingot.
- ◆ työkalun pitkäaikaisen käytön aiheuttamat vahingot Kun käytät työkalua pitkään, varmista, että pidät säännöllisesti taukoja.
- ◆ kuulovauriot.
- ◆ työkalua käytettäessä (esimerkiksi puuta, erityisesti tammea, pyökkiä ja MDF-levyjä, käsiteltäessä) syntyneen pölyn sisäänhengityksen aiheuttamat terveysriskit.

Tärinä

Käyttöohjeen teknisissä tiedoissa ja vaatimustenmukaisuusvaikutuksessa ilmoitetut tärinän päästöarvot on mitattu EN 60745-normin vakioiden testimenetelmän mukaisesti ja niitä voidaan käyttää työkalun vertaamisessa toiseen. Ilmoitettua tärinän päästöarvoa voidaan myös käyttää altistumisen arviointiin ennakkolta.

Varoitus! Sähkötyökalun tärinän päästöarvo voi varsinaisen käytön aikana poiketa ilmoitetusta arvosta riippuen siitä, millä tavalla työkalua käytetään. Tärinän taso voi kohota ilmoitetun tason yläpuolelle.

Kun tärinälle altistumista arvioidaan, jotta voidaan määrittää 2002/44/EY-direktiivin edellyttämät turvatoimenpiteet säännöllisesti sähkötyökaluja työssä käyttävien henkilöiden suojelemiseksi, tärinälle altistumisen arvion tulee ottaa huomioon varsinaiset käyttöolosuhteet ja työkalun käyttötavan, johon sisältyy kaikkien käyttöjakson osien huomioon ottaminen, kuten ajat, jolloin työkalu on pois päältä tai kun se käy joutokäyntiä sekä käynnistysajan.

Koneessa olevat merkit

Koneessa on seuraavat kuvakemerkinnät:



Varoitus! Loukkaantumisen vaaran ehkäisemiseksi käyttäjän on luettava käyttöohjeet.

Sähköturvallisuus



Tämä laite on kaksoiseristetty; siksi erillistä maadoitusta ei tarvita. Tarkista aina, että virtalähde vastaa arvokilvessä ilmoitettua jännitettä.

- ◆ Jos sähköjohto on vaurioitunut, se saadaan vaihtaa vain valtuutetussa Black & Deckerin huoltoliikkeessä vaaratilanteiden välttämiseksi.

Jatkojohdon käyttö

- ◆ Käytä aina oikeanlaista jatkojohtoa, joka sopii tämän koneen virransyöttöliitäntään (katso tekniset tiedot). Tarkista jatkojohto ennen käyttöä vaurioiden, vanhenemisen tai kulumisen varalta. Vaihda vaurioitunut tai viallinen sähköjohto. Jos käytät jatkojohtokelaa, kelaa johto aina täysin auki. Sellaisen jatkojohdon käyttö, joka ei vastaa koneen syöttötehoo tai joka on viallinen, voi aiheuttaa tulipalon tai sähköiskun.

Ominaisuudet

Tällä koneella on kaikki tai joitakin seuraavista ominaisuuksista.

1. Virrankatkaisija
2. Pölynpoistoliitäntä
3. Hioma-alusta
4. Paperipuristimen vipu
5. Portaattoman nopeuden valitsin

Kokoaminen

Varoitus! Ennen kokoamista varmista, että kone on pois päältä eikä sitä ole liitetty virtalähteeseen.

Hiomapaperin kiinnittäminen (kuva A & B1 - B3)

Varoitus! Älä koskaan käytä konetta, ellei hiomapaperia tai muuta tarviketta ole kiinnitetty paikalleen.

Hiomapaperin kiinnittäminen, nailonlenkeillä (kuva A)

- ◆ Varmista, että kone on kytketty pois päältä ja pistoke irti virtalähteestä.
- ◆ Paina paperi tiukasti ja tasaisesti hioma-alustaan (3) varmistaen, että paperissa olevat reiät ovat samalla kohdalla hioma-alustassa olevien reikien kanssa.

Tavallisen hiomapaperin kiinnittäminen (kuva B1 - B3)

- ◆ Varmista, että kone on kytketty pois päältä ja pistoke irti virtalähteestä.
- ◆ Pehmennä hiomapaperi hankaamalla hiomapaperin kääntöpuolta työtason reunaa vasten.
- ◆ Paina puristinvipuja (4) ylöspäin irrottaaksesi ne kiinnitysurista ja avaa paperipuristimet painamalla niitä alaspäin (kuva B1).
- ◆ Paina paperi hioma-alustaan (3) varmistaen, että paperissa olevat reiät ovat samalla kohdalla hioma-alustassa olevien reikien kanssa (kuva B2).
- ◆ Laita hiomapaperin reuna etupuristimeen kuten kuvassa (kuva B3).
- ◆ Paina etupuristimen vipua (4) alaspäin ja aseta se kiinnitysuriaan.
- ◆ Pidä hiomapaperia hieman jännityksessä ja laita paperin takareuna takapuristimeen.
- ◆ Paina takapuristimen vipua (4) alaspäin ja aseta se kiinnitysuriaan.

Pölypussin kiinnitys ja poisto (kuva C)

- ◆ Kiinnitä pölypussi (6) pölynpoistoliitäntään (2).
- ◆ Liu'uta pölypussi työkaluun ja varmista, että se on tiukasti kiinni.
- ◆ Poista pölypussi vetämällä pölypussi irti liitännästä.

Käyttö

Varoitus! Anna koneen käydä omaan tahtiinsa. Älä ylikuormita sitä.

KA320E - Portaaton nopeus

Portaattoman nopeudensäädön avulla voit sovittaa koneen nopeuden työstettävälle materiaalille sopivaksi.

- ◆ Säädä nopeus säätönupeista (5). Käytä suurta nopeutta puun hiomiseen, keskinopeutta vanerin ja synteettisten aineiden hiomiseen ja alhaista nopeutta lasin ja ei-rautametallien hiomiseen ja maalien poistamiseen.

Käynnistys ja pysäytys (kuva D)

- ◆ Käynnistä kone painamalla virrankatkaisijan (1) etuosaa I.
- ◆ Sammuta kone painamalla virrankatkaisijan takaosaa O.

Pölypussin tyhjentäminen (kuva C)

Pölypussi (6) on tyhjennettävä 10 minuutin välein.

- ◆ Vedä pölypussia (6) taaksepäin ja poista se koneesta.
- ◆ Pidä poistoaukkoa alaspäin ja tyhjennä pussi (6) ravistamalla sitä.
- ◆ Liu'uta pölypussi (6) työkaluun ja varmista, että se on tiukasti kiinni.

Vinkkejä parhaimman tuloksen saamiseksi (kuva E)

- ◆ Pidä koneesta aina kiinni kahdella kädellä.
- ◆ Älä paina konetta liikaa.
- ◆ Tarkista hiomapaperi säännöllisesti. Vaihda se tarvittaessa.
- ◆ Hio aina puun syiden mukaisesti.
- ◆ Hiottaessa maalikerrosten välillä on käytettävä erittäin hienoa hiomapaperia.
- ◆ Aloita karkealla hiomapaperilla hioessasi epätasaisia pintoja tai poistaessasi maalia. Kun hiot muunlaisia pintoja, aloita keskikarkealla hiomapaperilla. Vaihda molemmissa tapauksissa asteittain hienompaan hiomapaperiin tasaisen pinnan aikaansaamiseksi.
- ◆ Saat lisätietoja saatavilla olevista tarvikkeista jälleenmyyjältäsi.

Tarvikkeet

Koneen käyttöalue riippuu käytettävästä tarvikkeesta.

Black & Decker- ja Piranha -tarvikkeet ovat korkealaatuisia.

Käyttämällä näitä tarvikkeita saat koneestasi irti parhaan mahdollisen.

Huolto

Jiirisaha on suunniteltu toimimaan mahdollisimman pitkään mahdollisimman vähällä huollolla. Asianmukainen käyttö ja säännönmukainen puhdistus takaavat laitteen jatkuvan tydyttävän toiminnan.

Varoitus! Ennen huoltoa ja puhdistusta tulee koneen olla pois päältä ja irti virtalähteestä.

- ◆ Puhdista työkalun ilma-aukot säännöllisesti pehmeällä harjalla tai kuivalla rievulla.
- ◆ Puhdista laitteen kuori säännöllisesti kostealla siivousliinalla. Älä koskaan käytä puhdistamiseen liuotainaineita tai syövyttäviä puhdistusaineita.

Ympäristö



Erillinen keräys. Tätä tuotetta ei saa hävittää normaalin kotitalousjätteen kanssa.

Kun Black & Decker -koneesi on käytetty loppuun, älä hävitä sitä kotitalousjätteen mukana. Tämä tuote on kerättävä erikseen.



Käytettyjen tuotteiden ja pakkausten erillinen keräys mahdollistaa materiaalien kierrätyksen ja uudelleenkäytön. Kierrätettyjen materiaalien uudelleenkäyttö auttaa ehkäisemään ympäristön saastumisen ja vähentää raaka-aineiden kysyntää.

Paikallisten säännösten mukaisesti on mahdollista viedä kotitalouksien sähkölaitteet kuntien kaatopaikoille tai jättää ne vähittäismyyjälle ostettaessa uusi tuote.

Black & Decker tarjoaa mahdollisuuden Black & Decker -tuotteiden keräykseen ja kierrätykseen sen jälkeen, kun ne on poistettu käytöstä. Jotta voisit hyötyä tästä palvelusta, palauta laitteesi johonkin valtuutettuun huoltoliikkeeseen, joka kerää laitteet meidän puolestamme.

Voit tarkistaa lähimmän valtuutetun huoltoliikkeen sijainnin ottamalla yhteyden Black & Deckerin toimistoon, joka sijaitsee tässä käsikirjassa annetussa osoitteessa. Lista valtuutetuista Black & Decker -huoltoliikkeistä sekä yksityiskohtaiset tiedot korjauspalvelustamme ovat vaihtoehtoisesti saatavilla Internetissä, osoitteessa www.2helpU.com

Tekniset tiedot

	KA310 Typ.1	KA320E Typ.1
Jännite	V_{AC} 230	230
Ottoteho	W 240	240
Hiomaliikkeet (kuormittamaton)	min ⁻¹ 30.000	14.000 - 30.000
Kierrosnopeus (kuormittamaton)	min ⁻¹ 15.000	7.000 - 15.000
Hioma-alustan pinta	mm 90 x 187	90 x 187
Paino	kg 1,3	1,3

Äänenpainetaso mitattu EN 60745:n mukaisesti:

Äänenpaine (L_{pA}) 87 dB(A), epävarmuus (K) 3 dB(A)
Akustinen teho (L_{WA}) 98 dB(A), epävarmuus (K) 3 dB(A)

Tärinän kokonaisarvot (kolmiaks. vektorisumma) on määritetty seuraavan mukaisesti EN 60745:

Tärinän päästöarvo (a_{h1}) 9,8 m/s², epävarmuus (K) 1,5 m/s²

EU-vaatimustenmukaisuusvakuutus

KONEDIREKTIIVI



KA310/KA320E

Black & Decker julistaa, että kohdassa "tekniset tiedot" kuvatut tuotteet noudattavat seuraavia:
2006/42/EY, EN 60745-1, EN 60745-2-4

Lisätietoja saa Black & Decker -yhtiöltä seuraavasta osoitteesta tai käyttöoppaan takana olevia yhteistietoja käyttäen.

Allekirjoittava henkilö on vastuussa teknisen tiedoston täyttämisestä ja tekee tämän ilmoituksen Black & Decker -yhtiön puolesta.

Kevin Hewitt
Vice-President Global Engineering
Black & Decker Europe, 210 Bath Road, Slough,
Berkshire, SL1 3YD
Iso-Britannia
15/03/2010

Korjaukset / varaosat

Mikäli koneeseen tulee vikaa, jätä se aina Black & Deckerin valtuuttamaan huoltoliikkeeseen korjattavaksi.

Varaosia myyvät valtuutetut Black & Deckerin huoltoliikkeet, ja heiltä voi myös pyytää kustannusarvion koneen korjauksesta.

Tiedot valtuutetuista huoltoliikkeistä löytyvät internetistä osoitteesta www.2helpU.com sekä kotisivuiltamme www.blackanddecker.fi

Takuu

Black & Decker Oy takaa, ettei koneessa ollut materiaali- ja/tai valmistusvikaa silloin, kun se toimitettiin ostajalle. Takuu on lisäys kuluttajan laillisiin oikeuksiin eikä vaikuta niihin. Takuu on voimassa Euroopan Unionin jäsenmaissa ja Euroopan vapaakauppa-alueella (EFTA).

Mikäli Black & Decker -kone hajoaa materiaali- ja/tai valmistusvirheen tai teknisten tietojen epätarkkuuden vuoksi 24 kk:n kuluessa ostopäivästä, Black & Decker korjaa koneen ilman kustannuksia ostajalle tai vaihtaa sen uuteen Black & Decker Oy:n valinnan mukaan.

Takuu ei kata vikoja, jotka johtuvat koneen

- ◆ normaalista kulumisesta
- ◆ ylikuormituksesta, virheellisestä käytöstä tai hoidosta
- ◆ vahingoittamisesta vieraalla esineellä tai aineella tai onnettomuustapauksessa.

Takuu ei ole voimassa, mikäli konetta on korjannut joku muu kuin Black & Deckerin valtuuttama huoltoliike.

Edellytyksenä takuun saamiselle on, että ostaja jättää koneen ja ostokuitin jälleenmyyjälle tai valtuutetulle huoltoliikkeelle viimeistään 2 kuukauden kuluessa vian ilmenemisestä.

Tiedot valtuutetuista huoltoliikkeistä saa ottamalla yhteyttä Black & Decker Oy:hyn sekä internetistä osoitteesta www.2helpU.com, jossa on myös takuehdot.

Voit vierailla verkkosivuiltamme www.blackanddecker.fi rekisteröidäksesi uuden Black & Decker-tuotteesi ja saadaksesi tietoa uusista tuotteista ja erikoistarjouksista. Saat lisätietoja Black & Deckerin tavaramerkistä ja tuotevalikoimastamme osoitteesta www.blackanddecker.fi

Ενδεξιμένη χρήση

Το τριβείο σας της Black & Decker έχει σχεδιαστεί για τη λείανση ξύλου, μετάλλου, πλαστικών και βαμμένων επιφανειών. Αυτό το εργαλείο προορίζεται μόνο για ερασιτεχνική χρήση.

Οδηγίες ασφαλείας

Γενικές προειδοποιήσεις ασφαλείας για ηλεκτρικά εργαλεία



Προσοχή! Διαβάστε όλες τις προειδοποιήσεις ασφαλείας και όλες τις οδηγίες. Η μη τήρηση των παρακάτω προειδοποιήσεων και οδηγιών μπορεί να προκαλέσει ηλεκτροπληξία, πυρκαγιά ή/και σοβαρούς τραυματισμούς.

Αποθηκεύστε όλες τις προειδοποιήσεις και οδηγίες για μελλοντική αναφορά. Ο χαρακτηρισμός "ηλεκτρικό εργαλείο" που χρησιμοποιείται στις παρακάτω προειδοποιητικές υποδείξεις αφορά ή το εργαλείο που συνδέεται στην πρίζα (με καλώδιο) ή το εργαλείο που λειτουργεί με μπαταρία (χωρίς καλώδιο).

1. Ασφάλεια χώρου εργασίας

- Διατηρείτε το χώρο που εργάζεστε καθαρό και καλά φωτισμένο.** Η αταξία στο χώρο που εργάζεστε και τα σημεία χωρίς καλό φωτισμό μπορεί να οδηγήσουν σε ατυχήματα.
- Μη χρησιμοποιείτε τα ηλεκτρικά εργαλεία σε περιβάλλον όπου υπάρχει κίνδυνος έκρηξης, π.χ. παρουσία εύφλεκτων υγρών, αερίων ή σκόνης.** Τα ηλεκτρικά εργαλεία μπορεί να δημιουργήσουν σπινθηρισμό ο οποίος μπορεί να αναφλέξει τη σκόνη ή τις αναθυμιάσεις.
- Όταν χρησιμοποιείτε το ηλεκτρικό εργαλείο, κρατάτε τα παιδιά και τα υπόλοιπα άτομα μακριά από το χώρο που εργάζεστε.** Σε περίπτωση που άλλα άτομα αποσπάσουν την προσοχή σας μπορεί να χάσετε τον έλεγχο του μηχανήματος.

2. Ασφαλής χρήση του ηλεκτρικού ρεύματος

- Το φως του καλωδίου του ηλεκτρικού εργαλείου πρέπει να ταιριάζει στην αντίστοιχη πρίζα.** Δεν επιτρέπεται με κανένα τρόπο η μετασκευή του φως. Μη χρησιμοποιείτε προσαρμοστικά φως στα γειωμένα ηλεκτρικά εργαλεία. Τα φως που δεν έχουν υποστεί τροποποιήσεις και οι κατάλληλες πρίζες μειώνουν τον κίνδυνο ηλεκτροπληξίας.
- Αποφύγετε την επαφή του σώματός σας με γειωμένες επιφάνειες όπως σωλήνες, θερμαντικά σώματα (καλοριφέρ), κουζίνες και ψυγεία.** Όταν το

σώμα σας είναι γειωμένο, αυξάνεται ο κίνδυνος ηλεκτροπληξίας.

- Μην εκθέτετε το ηλεκτρικό εργαλείο στη βροχή ή την υγρασία.** Η διείσδυση νερού στο ηλεκτρικό εργαλείο αυξάνει τον κίνδυνο ηλεκτροπληξίας.
- Μην κακομεταχειρίζεστε το καλώδιο. Μη χρησιμοποιήσετε ποτέ το καλώδιο για να μεταφέρετε, να τραβήξετε ή να αποσυνδέσετε το εργαλείο από την πρίζα.** Κρατάτε το καλώδιο μακριά από υψηλές θερμοκρασίες, λάδια, κοφτερές ακμές ή κινούμενα εξαρτήματα. Τυχόν χαλασμένα ή μπερδεμένα καλώδια αυξάνουν τον κίνδυνο ηλεκτροπληξίας.
- Όταν χρησιμοποιείτε το ηλεκτρικό εργαλείο σε εξωτερικούς χώρους, να χρησιμοποιείτε πάντοτε προεκτάσεις (μπαλαντέζες) που έχουν εγκριθεί για χρήση σε εξωτερικούς χώρους.** Η χρήση προεκτάσεων εγκεκριμένων για εργασία σε εξωτερικούς χώρους μειώνει τον κίνδυνο ηλεκτροπληξίας.
- Αν η χρήση του εργαλείου σε μια βρεγμένη περιοχή δεν είναι απόφευκτη, χρησιμοποιήστε μια συσκευή κατάλοιπου ρεύματος (RCD) προστατευόμενης παροχής.** Η χρήση μιας RCD μειώνει τον κίνδυνο ηλεκτροπληξίας.

3. Ασφάλεια προσώπων

- Όταν χρησιμοποιείτε το ηλεκτρικό εργαλείο, να είστε προσεκτικοί, να δίνετε προσοχή στην εργασία που κάνετε και να επιστρατεύετε την κοινή λογική. Μη χρησιμοποιείτε το ηλεκτρικό εργαλείο όταν είστε κουρασμένοι ή όταν βρίσκεστε υπό την επήρεια ναρκωτικών, οινοπνεύματος ή φαρμάκων.** Μια στιγμή απροσεξία κατά το χειρισμό του ηλεκτρικού εργαλείου μπορεί να οδηγήσει σε σοβαρούς τραυματισμούς.
- Χρησιμοποιήστε προσωπικό εξοπλισμό τραυματισμού. Να φοράτε πάντα προστατευτικά γυαλιά.** Ο προστατευτικός εξοπλισμός όπως μάσκα σκόνης, υποδήματα ασφαλείας κατά το γλίστρημα, σκληρό καπέλο, ή προστασία ακοής για τις κατάλληλες συνθήκες θα μειώσουν τους σωματικούς τραυματισμούς.
- Να αποφύγετε την εκκίνηση κατά λάθος. Επιβεβαιωθείτε ότι ο διακόπτης είναι στην θέση off πριν συνδέστε την παροχή ρεύματος και/ή τη μπαταρία, πριν πάστε ή μεταφέρετε το εργαλείο.** Η μεταφορά εργαλείων με το δάχτυλο στον διακόπτη ή η ενεργοποίηση εργαλείων με τον διακόπτη στη θέση on μπορεί να οδηγήσει σε ατυχήματα.
- Πριν θέσετε το ηλεκτρικό εργαλείο σε λειτουργία, αφαιρέστε τυχόν εργαλεία ή κλειδιά ρύθμισης.** Ενα εργαλείο ή κλειδί συναρμολογημένο στο περιστρεφόμενο εξάρτημα ενός ηλεκτρικού εργαλείου μπορεί να προκαλέσει τραυματισμούς.

- e. Μην τεντώνεστε. Φροντίστε πάντοτε να έχετε την κατάλληλη στάση και να διατηρείτε την ισορροπία σας. Αυτό σας επιτρέπει τον καλύτερο έλεγχο του ηλεκτρικού εργαλείου σε περιπτώσεις απροσδόκητων καταστάσεων.
- f. Φοράτε κατάλληλη ενδυμασία εργασίας. Μη φοράτε φαρδιά ρούχα ή κοσμήματα. Κρατάτε τα μαλλιά, τα ενδύματα και τα γάντια σας μακριά από τα κινούμενα εξαρτήματα. Τα φαρδιά ρούχα, τα κοσμήματα και τα μακριά μαλλιά μπορεί να εμπλακούν στα κινούμενα εξαρτήματα.
- g. Αν προβλέπονται διατάξεις απαγωγής και συλλογής της σκόνης, βεβαιωθείτε ότι είναι συνδεδεμένες και ότι χρησιμοποιούνται σωστά. Η χρήση της συλλογής της σκόνης μπορεί να μειώσει τους κινδύνους σχετικά με τη σκόνη.

4. Χρήση και συντήρηση του ηλεκτρικού εργαλείου

- a. Μην υπερφορτώνετε το ηλεκτρικό εργαλείο. Χρησιμοποιείτε για την εκάστοτε εργασία σας το ηλεκτρικό εργαλείο που προορίζεται γι' αυτήν. Με το κατάλληλο ηλεκτρικό εργαλείο εργάζεστε καλύτερα και ασφαλέστερα στην ονομαστική περιοχή ισχύος του.
- b. Μη χρησιμοποιήσετε ποτέ ένα ηλεκτρικό εργαλείο του οποίου ο διακόπτης λειτουργίας είναι χαλασμένος. Ένα ηλεκτρικό εργαλείο του οποίου η λειτουργία δεν μπορεί να ελεγχθεί με το διακόπτη είναι επικίνδυνο και πρέπει να επισκευαστεί.
- c. Αποσυνδέστε το βύσμα από τη πυγνή ρεύματος και/ή το συγκρότημα μπαταρίας πριν κάνετε κάποια ρύθμιση, αλλάζετε τα αξεσουάρ, ή αποθηκεύετε τα ηλεκτρικά εργαλεία. Αυτά τα προληπτικά μέτρα ασφαλείας μειώνουν τον κίνδυνο να τεθεί το μηχάνημα αθέλητα σε λειτουργία.
- d. Να φυλάτε τα ηλεκτρικά εργαλεία που δεν χρησιμοποιείτε μακριά από παιδιά. Μην αφήνετε άτομα που δεν είναι εξοικειωμένα με το ηλεκτρικό εργαλείο ή που δεν έχουν διαβάσει αυτές τις οδηγίες χρήσης να το χρησιμοποιήσουν. Τα ηλεκτρικά εργαλεία είναι επικίνδυνα όταν χρησιμοποιούνται από άπειρα άτομα.
- e. Να συντηρείτε τα ηλεκτρικά εργαλεία. Ελέγξτε εάν τα κινούμενα μέρη είναι σωστά ευθυγραμμισμένα ή αν έχουν μπλοκάρει, εάν έχουν σπάσει κομμάτια και εάν πληρούνται όλες οι υπολοίπες συνθήκες που ενδεχομένως να επηρεάσουν τη σωστή λειτουργία του εργαλείου. Δώστε τυχόν χαλασμένα εξαρτήματα του ηλεκτρικού εργαλείου για επισκευή πριν το χρησιμοποιήσετε πάλι. Η ανεπαρκής συντήρηση των ηλεκτρικών εργαλείων αποτελεί αιτία πολλών ατυχημάτων.
- f. Διατηρείτε τα κοπτικά εργαλεία κοφτερά και καθαρά. Τα κοπτικά εργαλεία με αιχμηρά κοπτικά άκρα που

συντηρούνται σωστά έχουν λιγότερες πιθανότητες να μπλοκάρουν και ελέγχονται ευκολότερα.

- g. Να χρησιμοποιείτε το ηλεκτρικό εργαλείο, τα εξαρτήματα και τις μύτες κλπ σύμφωνα με αυτές τις οδηγίες, λαμβάνοντας υπόψη τις καταστάσεις εργασίας και την εργασία προς εκτέλεση. Η χρήση του ηλεκτρικού εργαλείου για άλλες εκτός από τις προβλεπόμενες εργασίες μπορεί να δημιουργήσει επικίνδυνες καταστάσεις.

5. Σέρβις

- a. Το σέρβις του ηλεκτρικού σας εργαλείου πρέπει να αναλαμβάνει έμπειρος τεχνικός που θα χρησιμοποιεί μόνο γνήσια ανταλλακτικά. Ετσι εξασφαλίζεται η διατήρηση της ασφάλειας του ηλεκτρικού εργαλείου.

Συμπληρωματικές προειδοποιήσεις ασφαλείας για ηλεκτρικά εργαλεία



Προειδοποίηση! Συμπληρωματικές προειδοποιήσεις ασφαλείας για τριβεία

- ◆ Κρατήστε το εργαλείο από τις μονωμένες επιφάνειες λαβών γιατί η ζώνη μπορεί να ακουμπάει το καλώδιο του. Η κοπή ενός καλωδίου με ρεύμα μπορεί να εκθέτει μεταλλικά κομμάτια του εργαλείου που έχουν ρεύμα και ο χειριστής να υποστεί ηλεκτροπληξία.
- ◆ Χρησιμοποιήστε σφινκτères η κάποιο άλλο πρακτικό μέσο για να ασφαλίστε και στηρίξτε το τεμάχιο εργασίας σε μια σταθερή επιφάνεια. Το κράτημα με το χέρι η με το σώμα σας το κάνει ασταθές και μπορεί να οδηγήσει στο χάσιμο ελέγχου.
- ◆ Προειδοποίηση! Η επαφή με την σκόνη που σηκώνεται από τις εφαρμογές λείανσης ή η εισπνοή της μπορεί να βάλει σε κίνδυνο τη ζωή του χειριστή και των πιθανών παρευρισκόμενων. Φορέστε μάσκα σκόνης ειδικά σχεδιασμένη για προστασία έναντι της σκόνης και των αναθυμιάσεων από χρώματα με μόλυβδο και βεβαιωθείτε ότι τα άτομα που βρίσκονται, ή εισέρχονται, στο χώρο εργασίας είναι επίσης προστατευμένα.
- ◆ Μετά τη λείανση, καθαρίστε καλά τη σκόνη.
- ◆ Να προσέχετε ιδιαίτερα κατά τη λείανση χρωμάτων, τα οποία ενδέχεται να έχουν ως βάση τον μόλυβδο ή κατά τη λείανση ορισμένων ειδών ξύλου και μετάλλου, τα οποία ενδέχεται να παράγουν τοξική σκόνη:
 - Μην επιτρέπετε σε παιδιά ή εγκύους να εισέρχονται στο χώρο εργασίας.
 - Μην τρώτε, πίνετε ή καπνίζετε στο χώρο εργασίας.
 - Αφαιρέστε όλα τα σωματίδια της σκόνης και τα άλλα υπολείμματα.
- ◆ Αυτό το εργαλείο δεν προσδιορίζεται για χρήση από άτομα (συμπεριλαμβανόμενα και τα παιδιά) με

ελαττωμένες φυσικές, αισθητήριες και ψυχικές δυνατότητες, ή έλλειψη εμπειρίας και γνώσης, εκτός αν υπάρχει επιτήρηση ή οδηγίες για τη χρήση της συσκευής από έναν υπεύθυνο άτομο για την ασφάλεια τους.

Τα παιδιά πρέπει να επιτηρηθούν για να βεβαιωθείτε ότι δεν παίζουν με το εργαλείο.

- ◆ Η ενδεδειγμένη χρησιμοποίηση αναφέρεται σε αυτές τις οδηγίες χρήσεως. Τόσο η χρήση εξαρτημάτων ή προσθηκών όσο και η πραγματοποίηση εργασιών που δεν συνιστώνται στις οδηγίες αυτές εγκυμονεί κίνδυνο τραυματισμού και/ή περιουσίας.

Ασφάλεια άλλων

- ◆ Αυτή η συσκευή δεν προσδιορίζεται για χρήση από άτομα (συμπεριλαμβανοντας και τα παιδιά) με ελαττωμένες φυσικές, αισθητήριες και ψυχικές δυνατότητες, ή έλλειψη εμπειρίας και γνώσης, εκτός αν υπάρχει επιτήρηση ή οδηγίες για τη χρήση της συσκευής από έναν υπεύθυνο άτομο για την ασφάλεια τους.
- ◆ Τα παιδιά πρέπει να επιτηρηθούν για να βεβαιωθείτε ότι δεν παίζουν με τη συσκευή.

Αναπόφευκτοι κίνδυνοι.

Μπορεί να προκληθούν επιπρόσθετοι αναπόφευκτοι κίνδυνοι όταν χρησιμοποιείτε το εργαλείο οι οποίοι μπορεί να μη συμπεριλαμβάνονται στις προειδοποιήσεις ασφαλείας που εσωκλείονται. Αυτοί οι κίνδυνοι μπορεί να προκληθούν από κακή χρήση, παρατεταμένη χρήση κτλ.

Ακόμα και με την τήρηση των σχετικών κανονισμών ασφαλείας και τη χρήση μέσων προστασίας, ορισμένοι κίνδυνοι δεν είναι δυνατό να εξαλειφθούν. Αυτοί περιλαμβάνουν:

- ◆ Τραυματισμούς από το άγγιγμα των περιστρεφόμενων/κινούμενων μερών.
- ◆ Τραυματισμούς από αλλαγή οποιωνδήποτε εξαρτημάτων, λεπίδων ή αξεσουάρ.
- ◆ Τραυματισμούς από παρατεταμένη χρήση του εργαλείου. Όταν χρησιμοποιείτε οποιοδήποτε εργαλείο για παρατεταμένες χρονικές περιόδους βεβαιωθείτε ότι κάνετε τακτικά διαλείμματα.
- ◆ Προβλήματα ακοής.
- ◆ Κίνδυνοι στην υγεία που προκαλούνται από την εισπνοή σκόνης όταν χρησιμοποιείτε το εργαλείο (παραδείγματα:- όταν επεξεργάζεστε ξύλο, ειδικά δρυς, οξιά και MDF.)

Δόνηση

Οι δηλωμένες τιμές εκπομπής δόνησης στον τομέα τεχνικών χαρακτηριστικών και στη δήλωση συμμόρφωσης έχουν μετρηθεί σύμφωνα με μια πρότυπη μέθοδος δοκιμής παρεχόμενη από το EN 60745 και μπορεί να χρησιμοποιηθεί για την σύγκριση ενός εργαλείου με ένα άλλο. Η δηλωμένη τιμή

εκπομπής δόνησης μπορεί να χρησιμοποιηθεί επίσης σε μια προκαταρκτική εκτίμηση έκθεσης.

Προσοχή! Η τιμή εκπομπής δόνησης κατά τη παρόν χρήση του ηλεκτρικού εργαλείου μπορεί να διαφέρει από τη δηλωμένη τιμή αναλόγως με τον τρόπο που χρησιμοποιείται το εργαλείο. Το επίπεδο δόνησης μπορεί να αυξηθεί πάνω από το δηλωμένο επίπεδο.

Κατά την εκτίμηση έκθεσης στη δόνηση για να αποφασιστούν τα μέτρα ασφαλείας που απαιτούνται από το 2002/44/ΕΚ για την προστασία ατόμων που χρησιμοποιούν τακτικά το εργαλείο, πρέπει να ληφθεί υπόψη μια εκτίμηση έκθεσης δόνησης, οι παρόν καταστάσεις χρήσης και ο τρόπος χρήσης εργαλείου, συμπεριλαμβανοντας όλα τα μερί του κύκλου εργασίας όπως πόσες φορές σβήνεται το εργαλείο και όταν δουλεύει χωρίς φορτίο πρόσθετα πόσες φορές πατιέται η σκανδάλη.

Ετικέτες επάνω στο εργαλείο

Πάνω στο εργαλείο υπάρχουν οι εξής σχηματικές απεικονίσεις:



Προσοχή! Για να μειώσετε τον κίνδυνο τραυματισμού, ο χρήστης πρέπει να διαβάσει το εγχειρίδιο οδηγιών.

Ασφαλής χρήση του ηλεκτρικού ρεύματος



Αυτό το εργαλείο φέρει διπλή μόνωση, επομένως δεν απαιτείται σύρμα γείωσης. Ελέγχετε πάντοτε αν η τάση τροφοδοσίας αντιστοιχεί σε αυτήν που αναγράφεται στην πινακίδα στοιχείων του εργαλείου.

- ◆ Αν το καλώδιο ρεύματος έχει υποστεί βλάβη, πρέπει να αντικατασταθεί από τον κατασκευαστή ή από εξουσιοδοτημένο Κέντρο Επισκευών Black & Decker ώστε να αποφευχθούν οι κίνδυνοι.

Χρήση καλωδίου προέκτασης

- ◆ Να χρησιμοποιείτε πάντα εγκεκριμένο καλώδιο προέκτασης για την ηλεκτρική τροφοδοσία αυτού του εργαλείου (δείτε τα τεχνικά στοιχεία). Πριν τη χρήση, ελέγξτε προσεκτικά το καλώδιο προέκτασης για σημάδια ζημιάς, φθοράς και παλαιώσης. Αντικαταστήστε το καλώδιο προέκτασης αν είναι κατεστραμμένο ή ελαττωματικό. Όταν χρησιμοποιείτε καρούλι καλωδίου, πάντα να ξετυλίγετε τελείως το καλώδιο. Η χρήση καλωδίου επιμήκυνσης που είναι ακατάλληλο για την απαιτούμενη ισχύ του εργαλείου ή που έχει καταστραφεί ή είναι ελαττωματικό μπορεί να αποτελέσει κίνδυνο πυρκαϊάς και ηλεκτροπληξίας.

Χαρακτηριστικά

Το εργαλείο διαθέτει όλα ή ορισμένα από τα εξής χαρακτηριστικά.

1. Διακόπτης on/off
2. Έξοδος σκόνης
3. Βάση λείανσης
4. Μοχλός σύσφιξης γυαλόχαρτου
5. Κουμπί ρύθμισης ταχύτητας

Συναρμολογηση

Προειδοποίηση! Πριν από τη συναρμολογηση, βεβαιωθείτε ότι το εργαλείο είναι σβηστό και ότι το φως του δεν είναι στην πρίζα.

Τοποθέτηση φύλλων γυαλόχαρτου (εικ. A & B1 - B3)

Προειδοποίηση! Ποτέ μη χρησιμοποιείτε το εργαλείο χωρίς να έχετε τοποθετήσει φύλλο γυαλόχαρτου ή κάποιο άλλο αξεσουάρ.

Τοποθέτηση φύλλων γυαλόχαρτου με νάιλον άγκιστρα (εικ. A)

- ◆ Βεβαιωθείτε ότι το εργαλείο είναι σβηστό και ότι το φως του δεν είναι στην πρίζα.
- ◆ Πατήστε το φύλλο καλά και μοιόμορφα πάνω στη βάση λείανσης (3) και βεβαιωθείτε ότι οι σπές του φύλλου συμπίπτουν με τις σπές της βάσης.

Τοποθέτηση κανονικών φύλλων γυαλόχαρτου (εικ. B1 - B3)

- ◆ Βεβαιωθείτε ότι το εργαλείο είναι σβηστό και ότι το φως του δεν είναι στην πρίζα.
- ◆ Μαλακώστε το γυαλόχαρτο τρίβοντας τη μη λειαντική πλευρά του στην ακμή του πάγκου εργασίας.
- ◆ Πιέστε τους μοχλούς σύσφιξης γυαλόχαρτου (4) προς τα πάνω, για να τους ελευθερώσετε από τα αυλάκια συγκράτησης και ανοίξτε τις σιαγόνες γυαλόχαρτου, πιέζοντάς τις προς τα κάτω (εικ. B1).
- ◆ Τοποθετήστε το φύλλο στη βάση λείανσης (3), και βεβαιωθείτε ότι οι σπές του φύλλου συμπίπτουν με τις σπές της βάσης (εικ. B2).
- ◆ Τοποθετήστε το άκρο του φύλλου γυαλόχαρτου στη μπροστινή σιαγόνα γυαλόχαρτου, όπως φαίνεται στην εικόνα (εικ. B3).
- ◆ Πιέστε το μπροστινό μοχλό σύσφιξης γυαλόχαρτου (4) προς τα κάτω και τοποθετήστε τον στο αυλάκι συγκράτησης.
- ◆ Πιέζοντας ελαφρά το γυαλόχαρτο, τοποθετήστε το πίσω άκρο του φύλλου γυαλόχαρτου στην πίσω σιαγόνα γυαλόχαρτου.
- ◆ Πιέστε τον πίσω μοχλό σύσφιξης γυαλόχαρτου (4) προς τα κάτω και τοποθετήστε τον στο αυλάκι συγκράτησης.

Τοποθέτηση και αφαίρεση του σάκου σκόνης (εικ. C)

- ◆ Τοποθετήστε το σάκο σκόνης (6) στην έξοδο σκόνης (2).

- ◆ Σύρετε το σάκο συλλογής σκόνης στο εργαλείο και βεβαιωθείτε ότι έχει ασφαλιστεί σωστά.
- ◆ Για να αφαιρέσετε το σάκο σκόνης, τραβήξτε το σάκο σκόνης προς τα πίσω και βγάλτε τον από την έξοδο.

Χρήση

Προειδοποίηση! Αφήστε το εργαλείο να λειτουργήσει με το δικό του ρυθμό. Μην το υπερφορτώνετε.

KA320E - Έλεγχος μεταβλητής ταχύτητας

Η ρύθμιση ταχυτήτων σας επιτρέπει να προσαρμόσετε την ταχύτητα του εργαλείου με το υλικό τεμαχίου εργασίας.

- ◆ Ρυθμίστε το κουμπί ελέγχου (5) στην επιθυμητή θέση. Χρησιμοποιήστε υψηλή ταχύτητα για χρήση σε ξύλο, μέση ταχύτητα για χρήση σε καπλαμά και συνθετικά, και χαμηλή ταχύτητα για χρήση σε μη σιδηρούχα μέταλλα και για την αφαίρεση βαφής.

Θέση εντός και εκτός λειτουργίας (εικ. D)

- ◆ Για να θέσετε σε λειτουργία το εργαλείο, πατήστε το μπροστινό τμήμα I του διακόπτη on/off (1).
- ◆ Για να σβήσετε το εργαλείο, πατήστε το πίσω τμήμα O του διακόπτη on/off.

Αδειασμα του σάκου συλλογής σκόνης (εικ. C)

Πρέπει να αδειάζετε το σάκο συλλογής σκόνης (6) μετά από κάθε 10 λεπτά χρήσης.

- ◆ Βάλτε το σάκο συλλογής σκόνης (6) στο πίσω εξωτερικό μέρος του εργαλείου.
- ◆ Κρατήστε προς τα κάτω το σωλήνα και τινάξτε το σάκο συλλογής σκόνης (6) για να αδειάσει το περιεχόμενο αυτού.
- ◆ Σύρετε το σάκο συλλογής σκόνης (6) στο εργαλείο και βεβαιωθείτε ότι έχει ασφαλιστεί σωστά.

Συμβουλές για άριστη χρήση (εικ. E)

- ◆ Πάντα να κρατάτε το εργαλείο και με τα δυο χέρια.
- ◆ Μην ασκείτε μεγάλη πίεση στο εργαλείο.
- ◆ Ελέγχετε τακτικά την κατάσταση του φύλλου γυαλόχαρτου. Να το αντικαθιστάτε όταν το κρίνετε απαραίτητο.
- ◆ Να λειανείτε πάντα σύμφωνα με τη φορά των "νερών" του ξύλου.
- ◆ Όταν λειανείτε νέα στρώματα βαφής πριν να χρησιμοποιήσετε άλλη βαφή, χρησιμοποιήστε πολύ ψιλό γυαλόχαρτο.
- ◆ Σε πολύ ανώμαλες επιφάνειες, ή όταν αφαιρείτε στρώματα βαφής, ξεκινήστε με χοντρό γυαλόχαρτο μέσου μεγέθους κόκκου. Και στις δυο περιπτώσεις, αλλάξτε σταδιακά σε φιλότερο γυαλόχαρτο για να είναι λεία η επιφάνεια μετά την επεξεργασία.
- ◆ Συμβουλευτείτε τον έμπορό σας για περισσότερες πληροφορίες σχετικά με τα διαθέσιμα αξεσουάρ.

Εξαρτήματα

Η απόδοση του εργαλείου σας εξαρτάται από τα εξαρτήματα που χρησιμοποιείτε. Τα εξαρτήματα Black & Decker και Piganha είναι σχεδιασμένα σύμφωνα με πρότυπα υψηλής ποιότητας για να βελτιώνουν την απόδοση του εργαλείου σας. Χρησιμοποιώντας τα θα επιτύχετε τη βέλτιστη απόδοση του εργαλείου.

Συντήρηση

Το εργαλείο σας έχει σχεδιαστεί έτσι ώστε να λειτουργεί για μεγάλη χρονική περίοδο με την ελάχιστη δυνατή συντήρηση. Η αδιάλειπτη και κανονική λειτουργία του εργαλείου εξαρτάται από τη φροντίδα και τον τακτικό καθαρισμό.

Προειδοποίηση! Πριν από οποιαδήποτε εργασία συντήρησης στο εργαλείο, θα πρέπει να το σβήσετε και να το βγάλετε από την πρίζα.

- ◆ Να καθαρίζετε τακτικά τις εγκοπές εξαιρισμού του εργαλείου σας χρησιμοποιώντας μαλακή βούρτσα ή στεγνό πανί.
- ◆ Να καθαρίζετε τακτικά το περίβλημα του μοτέρ χρησιμοποιώντας ένα υγρό πανί. Μη χρησιμοποιείτε αποξεστικά καθαριστικά ή υγρά καθαρισμού που περιέχουν διαλύτες.

Διάθεση εργαλείων και περιβάλλον



Ξεχωριστή συλλογή. Αυτό το προϊόν δεν πρέπει να απορριφθεί με συνηθισμένα σπιτικά απορρίμματα.

Εάν κάποια μέρα διαπιστώσετε ότι το προϊόν σας Black & Decker χρειάζεται αντικατάσταση ή δεν σας χρησιμεύει πλέον, μην το απορρίψετε με τα σπιτικά απορρίμματα. Κάντε αυτό το προϊόν διαθέσιμο για ξεχωριστή συλλογή.



Η ξεχωριστή συλλογή χρησιμοποιημένων προϊόντων και συσκευασιών επιτρέπει την ανακύκλωση υλικών. Η επανάχρηση ανακυκλωμένων υλικών βοηθάει την προστασία του περιβάλλον και μειώνει την ζήτηση για σπάνια υλικά.

Οι τοπικοί κανονισμοί μπορεί να παρέχουν ξεχωριστή συλλογή ηλεκτρικών προϊόντων από κατοικίες, δημοτικές τοποθεσίες απορριμμάτων ή από τον έμπορα όταν αγοράσατε το καινούργιο προϊόν.

Η Black & Decker δίνει τη δυνατότητα συλλογής και ανακύκλωσης των προϊόντων της που έχουν συμπληρώσει τη διάρκεια ζωής τους. Αν θέλετε να χρησιμοποιήσετε την εν λόγω υπηρεσία, επιστρέψτε το προϊόν σας σε οποιοδήποτε εξουσιοδοτημένο κέντρο επισκευών, όπου θα το παραλάβουν εκ μέρους σας.

Ενημερωθείτε για το πλησιέστερο κέντρο επισκευών της περιοχής σας, επικοινωνώντας με τα γραφεία της Black & Decker στη διεύθυνση που αναγράφεται στο εγχειρίδιο. Επίσης, για να πληροφορηθείτε τα εξουσιοδοτημένα κέντρα επισκευών της Black & Decker και τις λεπτομέρειες και τους αρμόδιους των υπηρεσιών που παρέχονται μετά την πώληση, μπορείτε ανατρέξετε στο Διαδίκτυο στη διεύθυνση: www.2helpU.com

Τεχνικά χαρακτηριστικά

	KA310 Typ.1	KA320E Typ.1
Τάση	V_{AC} 230	230
Ισχύς εισόδου	W 240	240
Παλμοί ανά λεπτό (χωρίς φορτίο)	min^{-1} 30.000	14.000 - 30.000
Περιστροφές ανά λεπτό (χωρίς φορτίο)	min^{-1} 15.000	7.000 - 15.000
Επιφάνεια της βάσης λείανσης	mm 90 x 187	90 x 187
Βάρος	kg 1,3	1,3

Στάθμη πίεσης ήχου σύμφωνα με το πρότυπο EN 60745:

Πίεση ήχου (L_{pA}) 87 dB(A), αβεβαιότητα (K) 3 dB(A)

Ακουστική ισχύς (L_{WA}) 98 dB(A), αβεβαιότητα (K) 3 dB(A)

Τιμές συνολικής δόνησης (άθροισμα τριαξονικών ανυσμάτων)

αποφασισμένο σύμφωνα με EN 60745:

Τιμή εκπομπής δόνησης (a_h) 9,8 m/s^2 ,

αβεβαιότητα (K) 1,5 m/s^2

Δήλωση συμμόρφωσης με την Ευρωπαϊκή Κοινότητα

ΟΔΗΓΙΑ ΠΕΡΙ ΜΗΧΑΝΗΜΑΤΩΝ



KA310/KA320E

Η Black & Decker δηλώνει ότι αυτά τα προϊόντα που περιγράφονται στον τομέα "τεχνικά χαρακτηριστικά" είναι σε συμμόρφωση με:

2006/42/ΕΚ, EN 60745-1, EN 60745-2-4

Για περισσότερες πληροφορίες, επικοινωνήστε με τη Black & Decker στη διεύθυνση που ακολουθεί ή στο πίσω μέρος του εγχειριδίου.

Ο υπογεγραμμένος είναι υπεύθυνος για τη σύνταξη του τεχνικού αρχείου και κάνει την παρών δήλωση εκ μέρους της Black & Decker.

Kevin Hewitt
Vice-President Global Engineering
Black & Decker Europe, 210 Bath Road, Slough,
Berkshire, SL1 3YD
Ηνωμένο Βασίλειο
15/03/2010

Εγγύηση

Η Black & Decker είναι σίγουρη για την ποιότητα των προϊόντων της και παρέχει σημαντική εγγύηση. Η παρούσα γραπτή εγγύηση αποτελεί πρόσθετο δικαίωμά σας και δεν ζημιώνει τα συνταγματικά σας δικαιώματα. Η εγγύηση ισχύει εντός της επικράτειας των Κρατών Μελών της Ευρωπαϊκής Ένωσης και της Ευρωπαϊκής Ζώνης Ελευθέρων Συναλλαγών.

Σε περίπτωση που κάποιο προϊόν της Black & Decker παρουσιάσει βλάβη εξαιτίας ελαττωματικών υλικών, ποιότητας εργασίας ή έλλειψης συμφωνίας με τις προδιαγραφές εντός 24 μηνών από την ημερομηνία αγοράς, η Black & Decker εγγυάται την αντικατάσταση των ελαττωματικών τμημάτων, την επισκευή προϊόντων που έχουν υποστεί εύλογη φθορά λόγω χρήσης ή την αντικατάσταση των προϊόντων προκειμένου να εξασφαλίσει την ελάχιστη ενόχληση στους πελάτες της, εκτός αν:

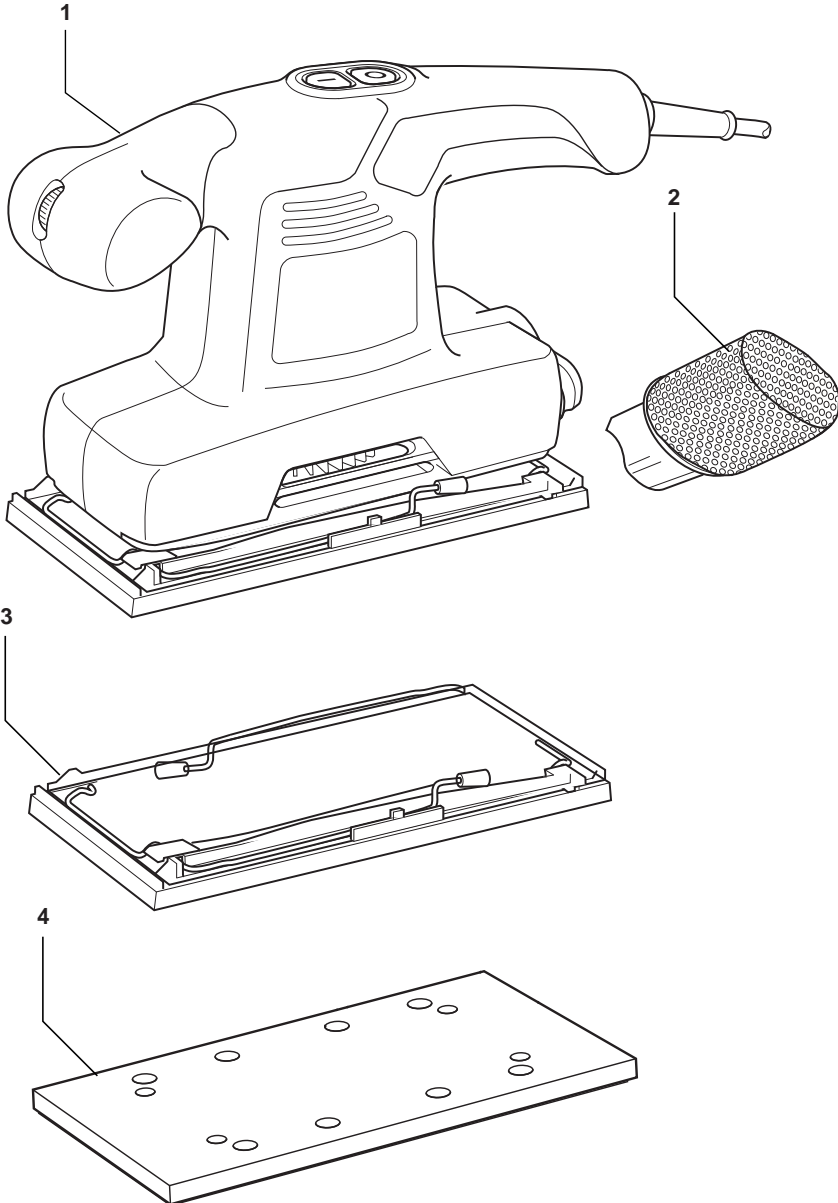
- ◆ Το προϊόν έχει χρησιμοποιηθεί σε εργασιακό, επαγγελματικό περιβάλλον ή αν έχει εννοικιαστεί
- ◆ Έχει γίνει εσφαλμένη χρήση του προϊόντος ή αν έχει παραμεληθεί
- ◆ Το προϊόν έχει υποστεί βλάβη από άλλα αντικείμενα, από ουσίες ή λόγω ατυχήματος
- ◆ Έχει γίνει προσπάθεια επισκευής από μη εξουσιοδοτημένα κέντρα επισκευών ή από προσωπικό που δεν ανήκει στο προσωπικό της Black & Decker

Για να ισχύσει η εγγύηση, πρέπει να υποβάλετε απόδειξη αγοράς στον πωλητή ή το εξουσιοδοτημένο κέντρο επισκευών. Ενημερωθείτε για το πλησιέστερο κέντρο επισκευών της περιοχής σας, επικοινωνώντας με τα γραφεία της Black & Decker στη διεύθυνση που αναγράφεται στο εγχειρίδιο. Επίσης, για να πληροφορηθείτε για τα εξουσιοδοτημένα κέντρα επισκευών της Black & Decker, τις λεπτομέρειες και τους αρμόδιους των υπηρεσιών που παρέχονται μετά την πώληση, μπορείτε να ανατρέξετε στο Διαδίκτυο στη διεύθυνση: www.2helpU.com

Παρακαλούμε να επισκεφθείτε την ιστοσελίδα μας www.blackanddecker.eu για να καταχωρήσετε το νέο σας προϊόν Black & Decker και για να ενημερώνεστε για τα νέα προϊόντα και τις ειδικές προσφορές.

Περισσότερες πληροφορίες σχετικά με τη μάρκα Black & Decker και τη σειρά προϊόντων μας θα βρείτε στη διεύθυνση www.blackanddecker.eu

Partial support - Only parts shown available
Nur die aufgeführten teile sind lieferbar
Reparation partielle - Seules les pieces indiquees sont disponibles
Supporto parziale - Sono disponibili soltanto le parti evidenziate
Solo estan disponibles las peizas listadas
So se encontram disponibles as pecas listadas
Gedeeltelijke ondersteuning - alleen de getoonde onderdelen
zijn beschikbaar



ENGLISH

Do not forget to register your product!

www.blackanddecker.co.uk/productregistration

Register your product online at www.blackanddecker.co.uk/productregistration or send your name, surname and product code to Black & Decker in your country.

DEUTSCH

Vergessen Sie nicht, Ihr Produkt registrieren zu lassen!

www.blackanddecker.de/productregistration

Lassen Sie Ihr Produkt unter www.blackanddecker.de/productregistration online registrieren oder schicken Sie Ihren Nachnamen, Vornamen und den Produktcode an Black & Decker in Ihrem Land.

FRANÇAIS

N'oubliez pas d'enregistrer votre produit !

www.blackanddecker.fr/productregistration

Enregistrez votre produit en ligne sur www.blackanddecker.fr/productregistration ou envoyez vos nom, prénom et code produit à Black & Decker dans votre pays.

ITALIANO

Non dimenticate di registrare il prodotto!

www.blackanddecker.it/productregistration

Registrate il prodotto online su www.blackanddecker.it/productregistration o inviate nome, cognome e codice del prodotto al centro Black & Decker del vostro paese.

NEDERLANDS

Vergeet niet uw product te registreren!

www.blackanddecker.nl/productregistration

U kunt uw product online registreren op www.blackanddecker.nl/productregistration of u kunt uw voornaam, achternaam en productcode opsturen naar Black & Decker in uw land.

ESPAÑOL

¡No olvide registrar su producto!

www.blackanddecker.es/productregistration

Registre su producto on-line en www.blackanddecker.es/productregistration o envíe su nombre, apellidos y código de producto a Black & Decker en su país.

PORTUGUÊS

Não se esqueça de registar o seu produto!

www.blackanddecker.pt/productregistration

Registe o seu produto online em www.blackanddecker.pt/productregistration ou envie o seu nome, apelido e código do produto para a Black & Decker no seu país.

SVENSKA

Glöm inte att registrera produkten!

www.blackanddecker.se/productregistration

Registrera produkten online på www.blackanddecker.se/productregistration eller skicka namn och produktkod till Black & Decker i landet du bor i.

NORSK

Ikke glem å registrere produktet ditt!

www.blackanddecker.no/productregistration

Registrer produktet ditt online på www.blackanddecker.no/productregistration, eller send ditt navn, etternavn og produktkode til Black & Decker i ditt eget land.

DANSK

Glem ikke at registrere dit produkt!

www.blackanddecker.dk/productregistration

Registrer dit produkt på internettet på: www.blackanddecker.dk/productregistration eller send dit navn, efternavn og produktkode til Black & Decker i dit eget land.

SUOMI

Muistathan rekisteröidä tuotteesi!

www.blackanddecker.fi/productregistration

Rekisteröi tuotteesi verkossa osoitteessa www.blackanddecker.fi/productregistration tai lähetä etunimesi, sukunimesi ja tuotekoodi oman maasi Black & Decker -edustajalle.

ΕΛΛΗΝΙΚΑ

Μην ξεχάσετε να καταχωρίσετε το προϊόν σας!

www.blackanddecker.gr/productregistration

Καταχωρίστε το προϊόν σας σε σύνδεση στη σελίδα www.blackanddecker.gr/productregistration ή στείλτε το όνομα, επίθετο σας και τον κωδικό πριονωτός στη Black & Decker στη χώρα σας.

België/Belgique	Black & Decker (Belgium) N.V. Nieuwlandlaan 7 I.Z. Aarschot B156 3200 Aarschot	Tel. Fax	016 68 91 00 016 68 91 11
Danmark	Black & Decker Sluseholmen 2-4, 2450 København SV Internet: www.blackanddecker.dk	Tel. Fax	70 20 15 10 70 22 49 10
Deutschland	Black & Decker GmbH Black & Decker Str. 40, D - 65510 Idstein	Tel. Fax	06126/21 - 0 06126/21 29 80
Ελλάδα	Black & Decker (Ελλάς) Α.Ε. Σπύρωνος 7 & Λεωφ. Βουλιαγμένης 159 166 74 Γλυφάδα - Αθήνα	Τηλ. Φαξ www.blackanddecker.eu	210 8981616 210 8983285
España	Black & Decker Ibérica, S.C.A. Parc de Negocis "Mas Blau" Edificio Muntadas, c/Bergadá, 1, Of. A6 08820 El Prat de Llobregat (Barcelona)	Tel. Fax	934 797 400 934 797 419
France	Black & Decker (France) S.A.S. 5 allée des Hêtres B.P. 30084 69579 Limonest Cédex	Tel. Fax	04 72 20 39 20 04 72 20 39 00
Helvetia	ROFO AG Gewerbezone Seeblick 3213 Kleinbödingen	Tel. Fax	026-6749391 026-6749394
Italia	Black & Decker Italia SpA Viale Elvezia 2 20052 Monza (MI)	Tel. Fax Numero verde	039-23871 039-2387592/2387594 800-213935
Nederland	Black & Decker Benelux Joulehof 12, 4622 RG Bergen op Zoom	Tel. Fax	0164 - 283000 0164 - 283100
Norge	Black & Decker (Norge) A/S Postboks 4814, Nydalen, 0422 Oslo Internet: www.blackanddecker.no	Tlf. Fax	22 90 99 00 22 90 99 01
Österreich	Black & Decker Vertriebsges.m.b.H Oberlaaerstraße 246, A1100 Wien	Tel. Fax	01 66116-0 01 66116-14
Portugal	Black & Decker Rua Egas Moniz 173 S. João do Estoril 2766-651 Estoril	Tel. Fax	214667500 214667580
Suomi	Black & Decker Oy Keilasatama 3, 02150 Espoo Black & Decker Oy, Kägelhamnen 3, 02150 Esbo	Puh. Faksi Tel. Fax	010 400 430 (09) 2510 7100 010 400 430 (09) 2510 7100
Sverige	Black & Decker AB Box 94, 431 22 Mölndal	Tel. Fax	031-68 60 60 031-68 60 80
United Kingdom	Black & Decker 210 Bath Road Slough, Berkshire SL1 3YD	Tel. Fax Helpline	01753 511234 01753 551155 01753 574277
Middle East & Africa	Black & Decker (Overseas) A.G. PB 5420, Dubai, United Arab Emirates	Tel. Fax	+971 4 2826464 +971 4 2826466