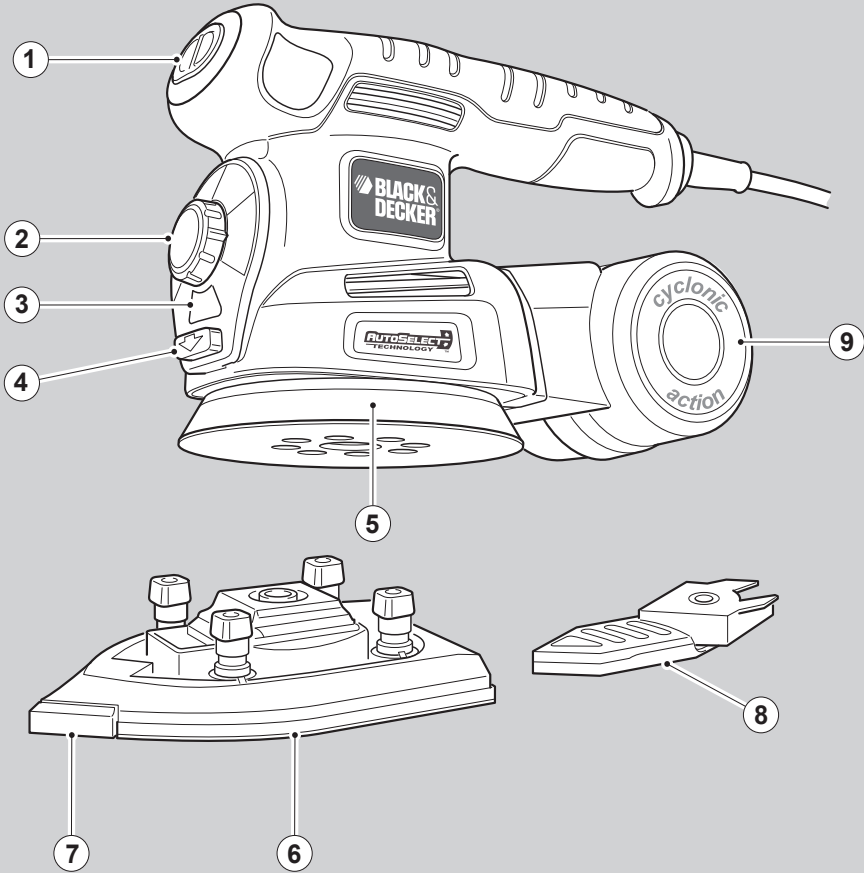
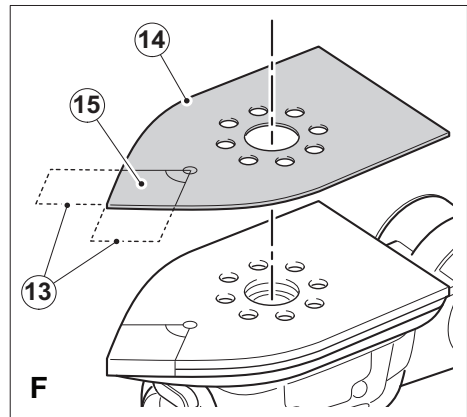
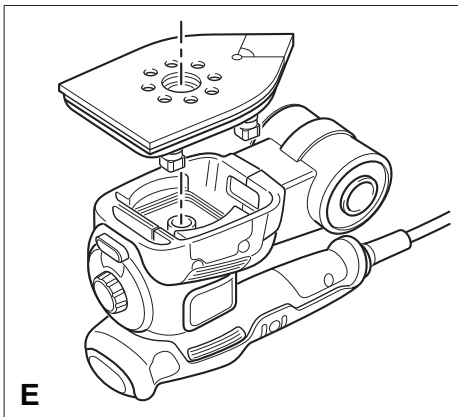
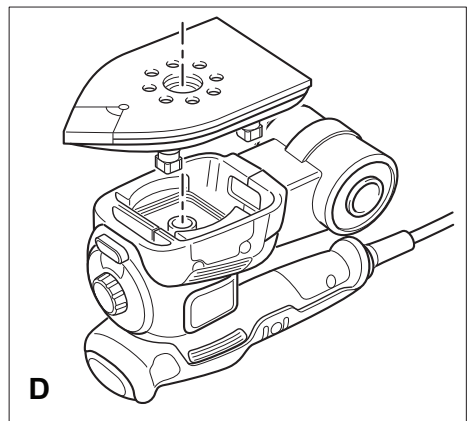
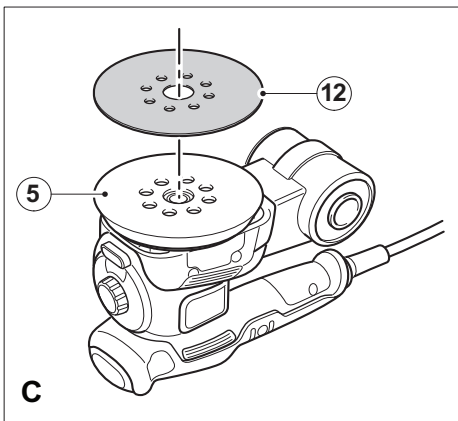
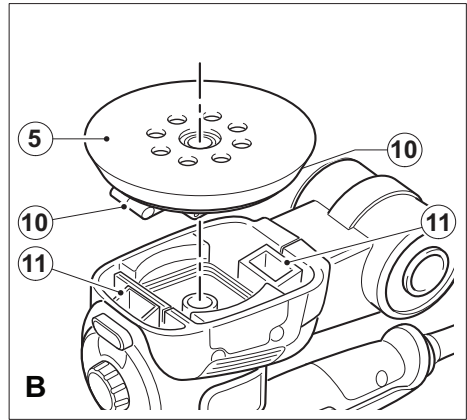
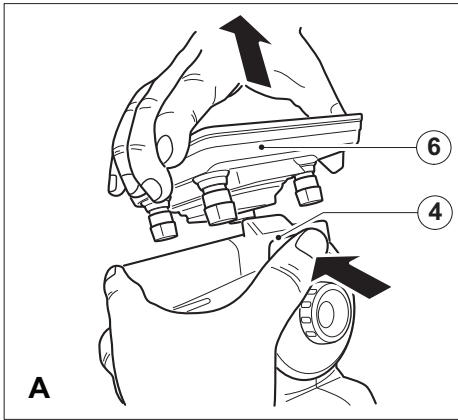


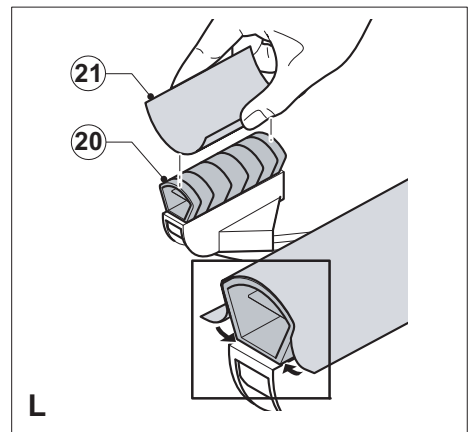
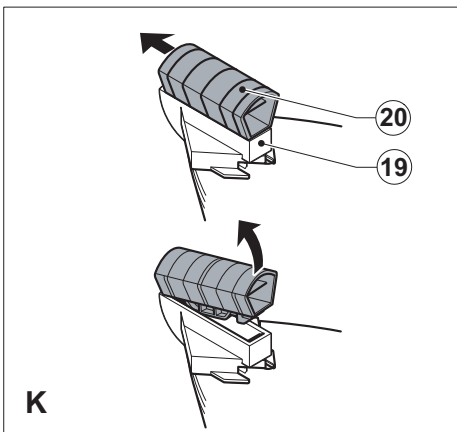
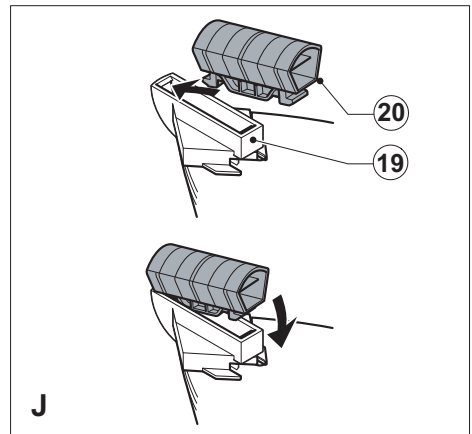
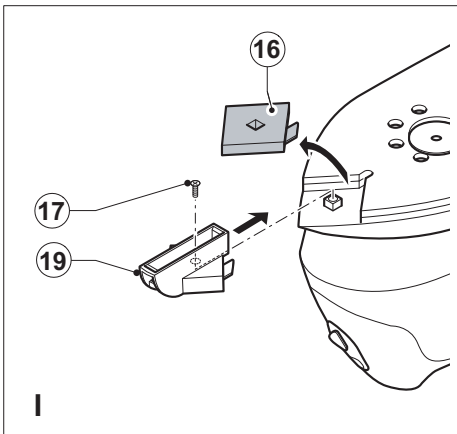
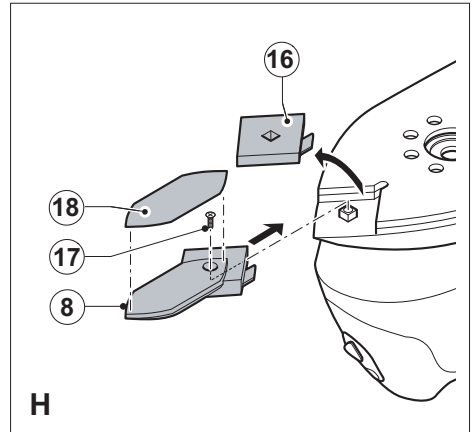
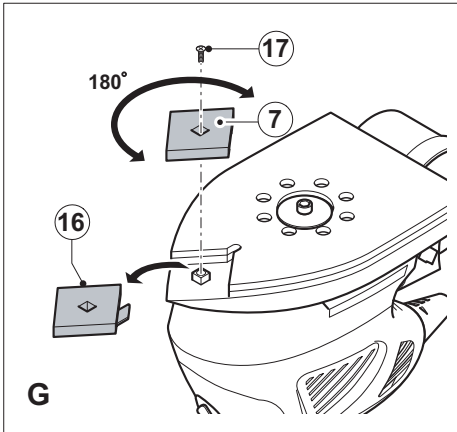


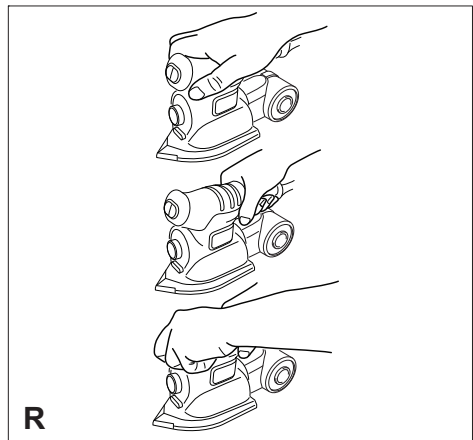
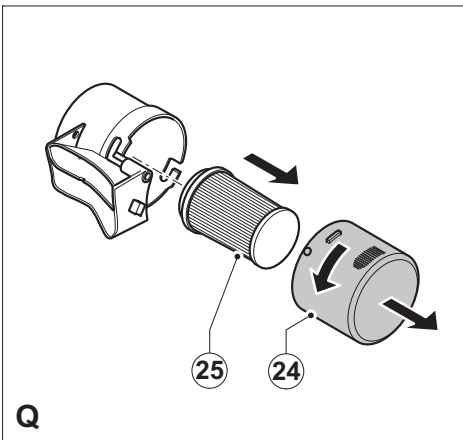
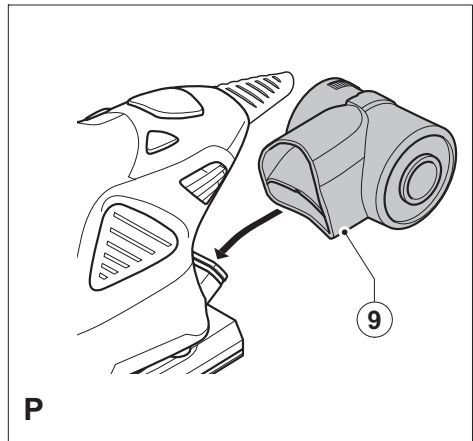
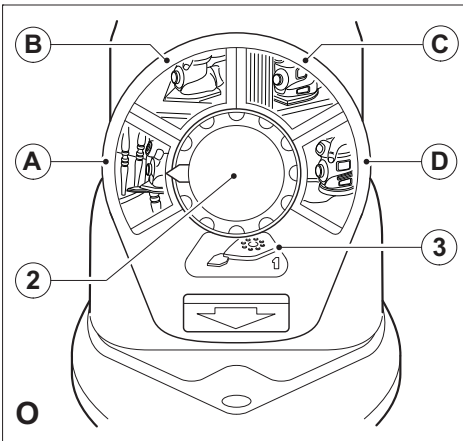
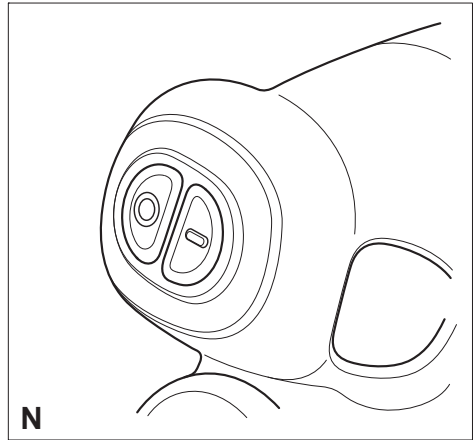
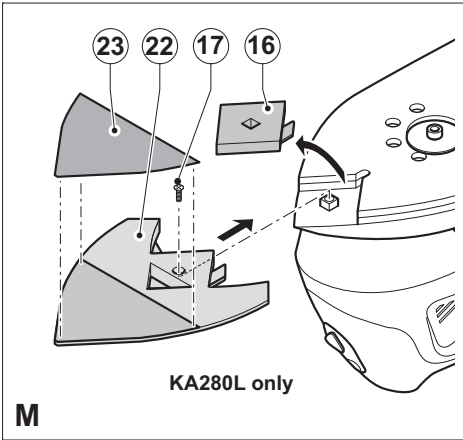
# BLACK & DECKER®











## Intended use

Your Black & Decker sander has been designed for sanding wood, metal, plastics and painted surfaces. This tool is intended for consumer use only.

## Safety instructions

### General power tool safety warnings



**Warning! Read all safety warnings and all instructions.** Failure to follow all instructions may result in electric shock, fire and/or serious injury.

### Save all warnings and instructions for future reference.

The term "power tool" in all of the warnings listed below refers to your mains operated (corded) power tool or battery operated (cordless) power tool.

1. **Work area safety**
  - a. **Keep work area clean and well lit.** Cluttered and dark areas invite accidents.
  - b. **Do not operate power tools in explosive atmospheres, such as in the presence of flammable liquids, gases or dust.** Power tools create sparks which may ignite the dust or fumes.
  - c. **Keep children and bystanders away while operating a power tool.** Distractions can cause you to lose control.
2. **Electrical safety**
  - a. **Power tool plugs must match the outlet. Never modify the plug in any way. Do not use any adapter plugs with earthed (grounded) power tools.** Unmodified plugs and matching outlets will reduce risk of electric shock.
  - b. **Avoid body contact with earthed or grounded surfaces such as pipes, radiators, ranges and refrigerators.** There is an increased risk of electric shock if your body is earthed or grounded.
  - c. **Do not expose power tools to rain or wet conditions.** Water entering a power tool will increase the risk of electric shock.
  - d. **Do not abuse the cord. Never use the cord for carrying, pulling or unplugging the power tool. Keep cord away from heat, oil, sharp edges or moving parts.** Damaged or entangled cords increase the risk of electric shock.
  - e. **When operating a power tool outdoors, use an extension cord suitable for outdoor use.** Use of a cord suitable for outdoor use reduces the risk of electric shock.
3. **Personal safety**
  - a. **Stay alert, watch what you are doing and use common sense when operating a power tool. Do not use a power tool while you are tired or under the influence of drugs, alcohol or medication.** A moment of inattention while operating power tools may result in serious personal injury.
  - b. **Use personal protective equipment. Always wear eye protection.** Protective equipment such as dust mask, non-skid safety shoes, hard hat, or hearing protection used for appropriate conditions will reduce personal injuries.
  - c. **Prevent unintentional starting. Ensure the switch is in the off-position before connecting to power source and/or battery pack, picking up or carrying the tool.** Carrying power tools with your finger on the switch or energising power tools that have the switch on invites accidents.
  - d. **Remove any adjusting key or wrench before turning the power tool on.** A wrench or a key left attached to a rotating part of the power tool may result in personal injury.
  - e. **Do not overreach. Keep proper footing and balance at all times.** This enables better control of the power tool in unexpected situations.
  - f. **Dress properly. Do not wear loose clothing or jewellery. Keep your hair, clothing and gloves away from moving parts.** Loose clothes, jewellery or long hair can be caught in moving parts.
  - g. **If devices are provided for the connection of dust extraction and collection facilities, ensure these are connected and properly used.** Use of these devices can reduce dust related hazards.
4. **Power tool use and care**
  - a. **Do not force the power tool. Use the correct power tool for your application.** The correct power tool will do the job better and safer at the rate for which it was designed.
  - b. **Do not use the power tool if the switch does not turn it on and off.** Any power tool that cannot be controlled with the switch is dangerous and must be repaired.
  - c. **Disconnect the plug from the power source and/or the battery pack from the power tool before making any adjustments, changing accessories, or storing power tools.** Such preventive safety measures reduce the risk of starting the power tool accidentally.
5. **If operating a power tool in a damp location is unavoidable, use a Residual Current Device (RCD) protected supply.** Use of an RCD reduces the risk of electric shock.

- d. **Store idle power tools out of the reach of children and do not allow persons unfamiliar with the power tool or these instructions to operate the power tool.** Power tools are dangerous in the hands of untrained users.
  - e. **Maintain power tools. Check for misalignment or binding of moving parts, breakage of parts and any other condition that may affect the power tools operation. If damaged, have the power tool repaired before use.** Many accidents are caused by poorly maintained power tools.
  - f. **Keep cutting tools sharp and clean.** Properly maintained cutting tools with sharp cutting edges are less likely to bind and are easier to control.
  - g. **Use the power tool, accessories and tool bits etc. in accordance with these instructions, taking into account the working conditions and the work to be performed.** Use of the power tool for operations different from those intended could result in a hazardous situation.
5. **Service**
- a. **Have your power tool serviced by a qualified repair person using only identical replacement parts.** This will make sure that the safety of the power tool is maintained.

#### Additional power tool safety warnings



**Warning!** Additional safety warnings for sanders.

- ◆ **Hold the power tool by insulated gripping surfaces, because the sanding belt / sanding base may contact its own cord.** Cutting a "live" wire may make exposed metal parts of the power tool "live" and could give the operator an electric shock.
- ◆ **Use clamps or another practical way to secure and support the workpiece to a stable platform.** Holding the work by hand or against your body leaves it unstable and may lead to loss of control.
- ◆ **Warning!** Contact with or inhalation of dust arising from sanding applications may endanger the health of the operator and possible bystanders. Wear a dust mask specifically designed for protection against dust and fumes and ensure that persons within or entering the work area are also protected.
- ◆ Thoroughly remove all dust after sanding.
- ◆ Take special care when sanding paint which is possibly lead based or when sanding some woods and metal which may produce toxic dust:
  - Do not let children or pregnant women enter the work area.
  - Do not eat, drink or smoke in the work area.

- Dispose of dust particles and any other debris safely.
- ◆ The intended use is described in this instruction manual. The use of any accessory or attachment or performance of any operation with this tool other than those recommended in this instruction manual may present a risk of personal injury and/or damage to property.

#### Safety of others

- ◆ This tool is not intended for use by persons (including children) with reduced physical, sensory or mental capabilities, or lack of experience and knowledge, unless they have been given supervision or instruction concerning the use of the appliance by a person responsible for their safety.
- ◆ Children should be supervised to ensure that they do not play with the appliance.

#### Vibration

The declared vibration emission values stated in the technical data and the declaration of conformity have been measured in accordance with a standard test method provided by EN 60745 and may be used for comparing one tool with another. The declared vibration emission value may also be used in a preliminary assessment of exposure.

**Warning!** The vibration emission value during actual use of the power tool can differ from the declared value depending on the ways in which the tool is used. The vibration level may increase above the level stated.

When assessing vibration exposure to determine safety measures required by 2002/44/EC to protect persons regularly using power tools in employment, an estimation of vibration exposure should consider, the actual conditions of use and the way the tool is used, including taking account of all parts of the operating cycle such as the times when the tool is switched off and when it is running idle in addition to the trigger time.

#### Labels on tools

The following pictograms are shown on the tool:



**Warning!** To reduce the risk of injury, the user must read the instruction manual.

#### Electrical safety



This tool is double insulated; therefore no earth wire is required. Always check that the power supply corresponds to the voltage on the rating plate.

- ◆ If the supply cord is damaged, it must be replaced by the manufacturer or an authorised Black & Decker Service Centre in order to avoid a hazard.

### Features

1. On/off switch
2. Autoselect® dial
3. Base / speed setting indicator
4. Base release button
5. Random orbital sanding base
6. Large detail sanding base
7. Sanding base tip
8. Detail finger attachment
9. Dust canister

### Assembly

**Warning!** Before assembly, make sure that the tool is switched off and unplugged.

#### Removing sanding bases (fig. A)

- ◆ To remove the sanding base, press the release button (4) and pull the base (6) from the tool.

#### Attaching the random orbit sanding base (fig. B)

- ◆ Hold the tool and the sanding base (5) facing upwards as shown in fig. B.
- ◆ Align the dust openings (10) in the sanding base with the dust openings (11) in the tool base.
- ◆ Press in on the sanding base until you hear it click into place.

#### Fitting sanding sheets (fig. C)

- ◆ Hold the tool with the sanding base (5) facing upwards.
- ◆ Place the sanding sheet (12) onto the sanding base (5) making sure that the holes in the sheet line up with the holes in the base.

#### Large detail sanding base

With this sanding base, you can use the tool as a detail sander or a flush sander.

#### Attaching the large detail sanding base (fig. D & E)

For detail sanding, the pointed end should face forward (fig. D).

For sanding large areas, the pointed end should face to the rear (fig. E).

- ◆ Attach the sanding base as described above under "Attaching the random orbit sanding base".
- ◆ Press in on the sanding base until you hear it click into place.

#### Fitting sanding sheets (fig. F)

- ◆ Detach the two diamond-shaped tips (13) from the sanding sheet (14).

- ◆ Hold the tool with the sanding base facing upwards.
- ◆ Place the sanding sheet (14) onto the sanding base, making sure that the holes in the sheet line up with the holes in the base.

The diamond-shaped tip (15) can be reversed and replaced when worn.

- ◆ When the front part of the tip is worn, detach it from the sheet, reverse it and press it onto the sanding base again.
- ◆ When the whole tip is worn, remove it from the sanding base and fit a new diamond shaped tip (13).

#### Tip of the sanding base (fig. G)

When the sanding base tip (7) is worn, it can be reversed or replaced. When the diamond shaped tip holder (16) is worn, it can be replaced. Spare parts are available from your Black & Decker dealer.

- ◆ Remove the screw (17).
- ◆ Reverse or replace the worn part.
- ◆ Fit and tighten the screw (17).

#### Finger attachment (fig. H)

The finger attachment is used for fine detail sanding.

- ◆ Remove the screw (17).
- ◆ Remove the diamond-shaped tip holder (16) from the sanding base.
- ◆ Fit the finger attachment (8) onto the sanding base (6).
- ◆ Fit and tighten the screw (17).
- ◆ Fit the appropriate sanding sheet (18) onto the finger attachment.

#### Profile attachment

The profile attachment is used for contour sanding.

#### Fitting the profile attachment (fig. I)

- ◆ Remove the screw (17).
- ◆ Remove the diamond-shaped tip holder (16) from the sanding base.
- ◆ Fit the profile attachment (19) onto the sanding base.
- ◆ Fit and tighten the screw (17).

#### Fitting and removing a sanding profile (fig. J & K)

- ◆ Choose the sanding profile most suitable for your application.
- ◆ Place one end of the sanding profile (20) into the recess at the front end of the profile attachment (19).
- ◆ Push the other end of the sanding profile until it clicks into place.
- ◆ To remove the sanding profile (20), push it forward and pull the rear end out of the profile attachment (19).

### Fitting a sanding sheet onto a sanding profile (fig. L)

- ◆ Align the sanding sheet (21) with the sanding profile (20).
- ◆ Press the sanding sheet onto the sanding profile, making sure that the sanding sheet follows the shape of the profile.

### Louvre attachment (fig. M) (KA280L only)

With the louvre attachment you can work in crevices.

- ◆ Remove the screw (17).
- ◆ Remove the diamond-shaped tip holder (16) from the sanding base.
- ◆ Fit the louvre attachment (22) onto the sanding base.
- ◆ Fit and tighten the screw.
- ◆ Fit the appropriate sanding sheet onto the louvre attachment.

The additional piece of hook and loop fastener (23) can be attached to the top surface of the louvre attachment to allow for sanding using both sides.

- ◆ Remove the backing paper from the hook and loop fastener (23).
- ◆ Stick the hook and loop fastener to the top surface of the louvre attachment (22).
- ◆ Fit the sanding piece to the hook and loop fastener.

### Residual risks

Additional residual risks may arise when using the tool which may not be included in the enclosed safety warnings. These risks can arise from misuse, prolonged use etc.

Even with the application of the relevant safety regulations and the implementation of safety devices, certain residual risks cannot be avoided. These include:

- ◆ Injuries caused by touching any rotating/moving parts.
- ◆ Injuries caused when changing any parts, blades or accessories.
- ◆ Injuries caused by prolonged use of a tool. When using any tool for prolonged periods make sure you take regular breaks.
- ◆ Impairment of hearing.
- ◆ Health hazards caused by breathing dust developed when using your tool (example:- working with wood, especially oak, beech and MDF).

### Use

**Warning!** Let the tool work at its own pace. Do not overload.

**Warning!** Do not cover the ventilation slots when using the tool. Hold the tool as shown in fig. R. Make sure that the sanding base is flat on the workpiece.

- ◆ Store the tool with a base in place.
- ◆ Keep hands away from the spindle area on the tool.
- ◆ Do not turn the Autoselect® dial while the unit is running.

- ◆ Do not rest fingers on the base during use.

### Switching on and off (fig. N)

- ◆ To switch the tool on, set the on/off switch (1) to position I.
- ◆ To switch the tool off, set the on/off switch (1) to position O.

### Autoselect® Technology (fig.O)









This sander is fitted with an Autoselect® dial (2) which shows various sanding applications. They are used to select the correct operating mode for your particular sanding operation.

- ◆ Using the Autoselect® dial (2), choose from one of the following applications:
  - Detail sanding (A).
  - Corner sanding (B).
  - Flush sanding (C).
  - Random orbit sanding (D).

The correct base to be used and the recommended sanding speed will be displayed in the base/speed setting window (3).

**Note:** You can override the selected speed at any time by moving the Autoselect® dial to positions (A) and (B), slower speeds, or positions (C) and (D), higher speeds.

## Autoselect® dial application chart

Setting	Application	Recommended base		Base colour	Speed setting
	Small area sanding. Allows you to easily get into tight areas	Detail finger attachment		Orange	(1) Low
	Large sanding. Allows you to get up to the edge of a 90° angle	Large detail base, tip facing forward		Blue	(1) Low
	Flush sanding. Allows you to get up to the edge of a 90° angle	Flush sanding base, 90° edge facing forward.		Blue	(2) High
	Large area sanding. Allows you to remove the most amount of paint quickly.	Random orbit base		Green	(2) High

### Automatic brake system (ABS)

This tool has an automatic brake system. When the tool is not on the work surface, this feature keeps the speed of the disc below the speed of the motor. When the tool is switched off, the disc will stop very quickly.

### Emptying the dust canister (fig. P & Q)

The dust canister (9) should be emptied after every ten minutes of use.

- ◆ Pull the dust canister (9) to the rear and off the tool.
- ◆ Remove the cover (24) by twisting it counter clockwise.
- ◆ Hold the dust canister (9) with the filter (25) facing down and shake the canister to empty the contents. Shake the cover (24) to empty the contents.

- ◆ Refit the cover (24) onto the dust canister, twisting it clockwise until it locks into place.
- ◆ Refit the dust canister (9) onto the tool.

### Cleaning the dust canister filter

The dust canister filter is re-usable and should be cleaned regularly.

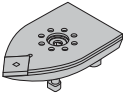
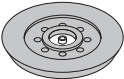

- ◆ Empty the dust canister (9) as described above.
- ◆ Pull the filter (25) off the dust canister.
- ◆ Shake off excess dust by tapping the filter into a dustbin.




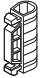
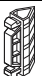
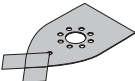
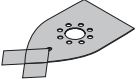
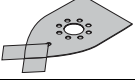
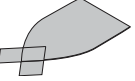
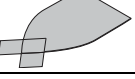
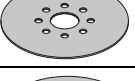
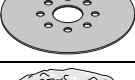

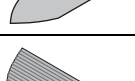

**Warning!** Do not brush or use compressed air or sharp objects to clean the filter. Do not wash the filter.

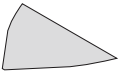
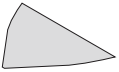
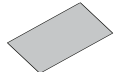
- ◆ Replace the filter (25).
- ◆ Refit the cover (24).
- ◆ Refit the dust canister (9) onto the tool.

### Accessories

The accessories supplied with your sander depend upon the model that you have purchased. All the accessories listed below are available in our Piranha® range. If you require an accessory that is listed below but is not supplied with your sander please visit our website at [www.blackanddecker.eu](http://www.blackanddecker.eu).

Item	Description	Purpose
	Large detail sanding base (6).	For medium to large areas. The large detail base can be used to sand into corners and to the edge of the workpiece.
	Random orbit sanding base (5).	For large areas. The random orbit base can be used for curved surfaces and when you need a high-quality finish.
	Detail finger (8).	For small hard-to-reach areas. The detail finger can be used for light sanding and for sanding into corners.

Item	Description	Purpose
	Louvre attachment (22).	For intricate areas such as shutters and louvre doors.
	Sanding profile attachment (19).	An attachment to hold the various profiles listed below.
	Concave curved sanding profile.	For detailed sanding to suit this shape.
	Convex curved sanding profile (20).	For detailed sanding to suit this shape.
	Pointed curved sanding profile.	For detailed sanding to suit this shape.
	240 grit large detail sanding sheet with two replacement tips.	For a fine finish for large detail sanding.
	120 grit large detail sanding sheet with two replacement tips.	For a medium finish for large detail sanding.
	60 grit large detail sanding sheet with two replacement tips.	For a coarse finish for large detail sanding.
	High-gloss large detail finish sheet (grey) with two replacement tips.	For applying polish.
	Cleaning sheet (red) for wood or metal with two replacement tips.	For cleaning or polishing tasks on wood or metal.
	240 grit random orbit sanding sheet.	For a fine finish for random orbit sanding.
	60 grit random orbit sanding sheet.	For a coarse finish for random orbit sanding.
	Round polishing bonnet (white).	For polishing tasks.
	120 grit detailed finger sanding sheet.	For a medium finish for detailed sanding.
	Replacement louvre sanding sheet attachment.	For attaching louvre sanding sheets.

Item	Description	Purpose
	60 grit louvre sanding sheet.	For a course finish for louvre sanding.
	120 grit louvre sanding sheet.	For a medium finish for louvre sanding.
	120 grit profile sanding sheet.	For a medium finish for profile sanding.

### Hints for optimum use

- ◆ For user comfort, the tool can be operated with one or two hands (fig. R). Do not place your hands over the ventilation slots.
- ◆ Do not exert too much pressure on the tool.
- ◆ Regularly check the condition of the sanding sheet. Replace when necessary.
- ◆ Always sand with the grain of the wood.
- ◆ When sanding new layers of paint before applying another layer, use extra fine grit.
- ◆ On very uneven surfaces, or when removing layers of paint, start with a coarse grit. On other surfaces, start with a medium grit. In both cases, gradually change to a fine grit for a smooth finish.
- ◆ Consult your retailer for more information on available accessories.

### Accessories

The performance of your tool depends on the accessory used. Black & Decker and Piranha accessories are engineered to high quality standards and designed to enhance the performance of your tool. By using these accessories you will get the very best from your tool.

### Maintenance

Your Black & Decker corded/cordless appliance/tool has been designed to operate over a long period of time with a minimum of maintenance. Continuous satisfactory operation depends upon proper tool care and regular cleaning.

**Warning!** Before performing any maintenance on corded/cordless power tools:

- ◆ Switch off and unplug the appliance/tool.
- ◆ Or switch off and remove the battery from the appliance/tool if the appliance/tool has a separate battery pack.
- ◆ Or run the battery down completely if it is integral and then switch off.
- ◆ Unplug the charger before cleaning it. Your charger does not require any maintenance apart from regular cleaning.

Regularly clean the ventilation slots in your appliance/tool/charger using a soft brush or dry cloth.  
Regularly clean the motor housing using a damp cloth. Do not use any abrasive or solvent-based cleaner.  
Regularly open the chuck and tap it to remove any dust from the interior (when fitted).

### Mains plug replacement (U.K. & Ireland only)

If a new mains plug needs to be fitted:

- ◆ Safely dispose of the old plug.
- ◆ Connect the brown lead to the live terminal in the new plug.
- ◆ Connect the blue lead to the neutral terminal.

**Warning!** No connection is to be made to the earth terminal. Follow the fitting instructions supplied with good quality plugs. Recommended fuse: 5 A.

### Protecting the environment



Separate collection. This product must not be disposed of with normal household waste.

Should you find one day that your Black & Decker product needs replacement, or if it is of no further use to you, do not dispose of it with household waste. Make this product available for separate collection.



Separate collection of used products and packaging allows materials to be recycled and used again. Re-use of recycled materials helps prevent environmental pollution and reduces the demand for raw materials.

Local regulations may provide for separate collection of electrical products from the household, at municipal waste sites or by the retailer when you purchase a new product.

Black & Decker provides a facility for the collection and recycling of Black & Decker products once they have reached the end of their working life. To take advantage of this service please return your product to any authorised repair agent who will collect them on our behalf.

You can check the location of your nearest authorised repair agent by contacting your local Black & Decker office at the address indicated in this manual. Alternatively, a list of authorised Black & Decker repair agents and full details of our after-sales service and contacts are available on the Internet at: [www.2helpU.com](http://www.2helpU.com).

#### Technical data

KA280 TYPE 1	
Voltage	Vac 230
Power input	W 220
Orbits (no load)	min-1 8500 / 13000
Oscillations (no load)	min-1 17000 / 26000
Weight	kg 1.9

Level of sound pressure according to EN 60745:

Sound pressure ( $L_{pA}$ ) 78.5 dB(A), uncertainty (K) 3 dB(A)

Sound power ( $L_{WA}$ ) 89.5 dB(A), uncertainty (K) 3 dB(A)

Vibration total values (triax vector sum) according to EN 60745:

Vibration emission value ( $a_h$ ) 7.8 m/s<sup>2</sup>, uncertainty (K) 1.5 m/s<sup>2</sup>

## EC declaration of conformity

MACHINERY DIRECTIVE



### KA280

Black & Decker declares that these products described under "technical data" are in compliance with: 2006/42/EC, EN60745-1, EN60745-2-4

For more information, please contact Black & Decker at the following address or refer to the back of the manual.

The undersigned is responsible for compilation of the technical file and makes this declaration on behalf of Black & Decker.

Kevin Hewitt  
Vice-President Global Engineering  
Black & Decker Europe,  
210 Bath Road, Slough,  
Berkshire, SL1 3YD  
United Kingdom  
18-02-2010

### Guarantee

Black & Decker is confident of the quality of its products and offers an outstanding guarantee. This guarantee statement is in addition to and in no way prejudices your statutory rights. The guarantee is valid within the territories of the Member States of the European Union and the European Free Trade Area.

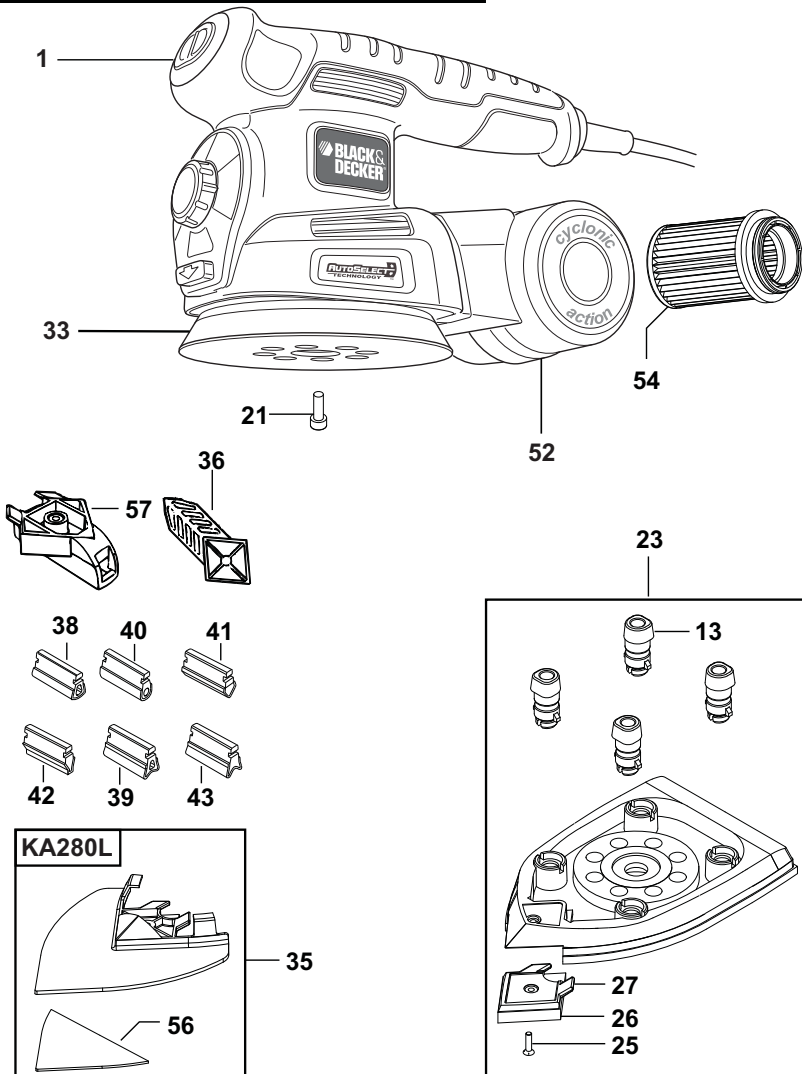
If a Black & Decker product becomes defective due to faulty materials, workmanship or lack of conformity, within 24 months from the date of purchase, Black & Decker guarantees to replace defective parts, repair products subjected to fair wear and tear or replace such products to make sure of the minimum inconvenience to the customer unless:

- ◆ The product has been used for trade, professional or hire purposes.
- ◆ The product has been subjected to misuse or neglect.
- ◆ The product has sustained damage through foreign objects, substances or accidents.
- ◆ Repairs have been attempted by persons other than authorised repair agents or Black & Decker service staff.

To claim on the guarantee, you will need to submit proof of purchase to the seller or an authorised repair agent. You can check the location of your nearest authorised repair agent by contacting your local Black & Decker office at the address indicated in this manual. Alternatively, a list of authorised Black & Decker repair agents and full details of our after-sales service and contacts are available on the Internet at: **[www.2helpU.com](http://www.2helpU.com)**.

Please visit our website **[www.blackanddecker.co.uk](http://www.blackanddecker.co.uk)** to register your new Black & Decker product and to be kept up to date on new products and special offers. Further information on the Black & Decker brand and our range of products is available at **[www.blackanddecker.co.uk](http://www.blackanddecker.co.uk)**.

Partial support - Only parts shown available  
 Nur die aufgeführten teile sind lieferbar  
 Réparation partielle - Seules les pièces indiquées sont disponibles  
 Supporto parziale - Sono disponibili soltanto le parti evidenziate  
 Solo estan disponibles las piezas listadas  
 So se encontram disponíveis as peças listadas  
 Gedeeltelijke ondersteuning - alleen de getoonde onderdelen  
 zijn beschikbaar









ENGLISH

**Do not forget to register your product!**

**[www.blackanddecker.co.uk/productregistration](http://www.blackanddecker.co.uk/productregistration)**

Register your product online at **[www.blackanddecker.co.uk/productregistration](http://www.blackanddecker.co.uk/productregistration)** or send your name, surname and product code to Black & Decker in your country.

**Australia**

Black & Decker (Australia) Pty. Ltd.  
20 Fletcher Road, Mooroolbark,  
Victoria, 3138

Tel. 03-8720 5100  
Fax 03-9727 5940

**New Zealand**

Black & Decker  
5 Te Apunga Place  
Mt Wellington  
Auckland 1060

Tel. +64 9 259 1133  
Fax +64 9 259 1122

**United Kingdom**

Black & Decker  
210 Bath Road  
Slough, Berkshire SL1 3YD

Tel. 01753 511234  
Fax 01753 551155  
Helpline 01753 574277