

**DEWALT®**

**[www.DEWALT.com](http://www.DEWALT.com)**

**DWE6411**



Figure 1

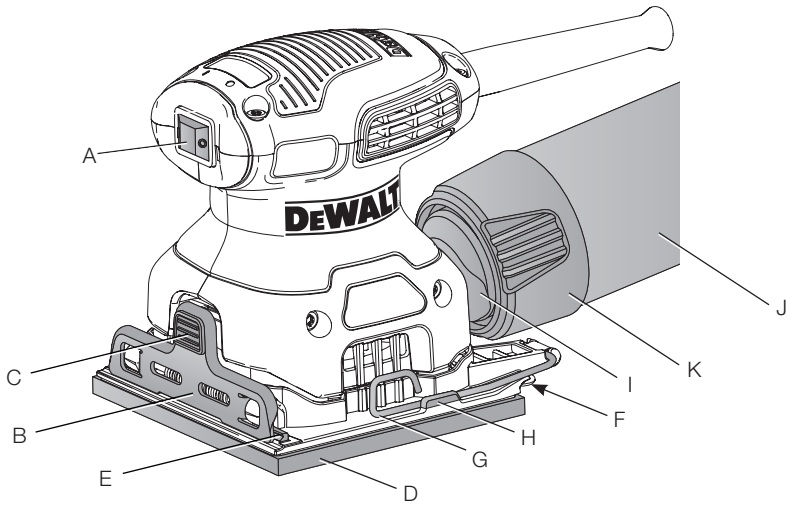


Figure 2

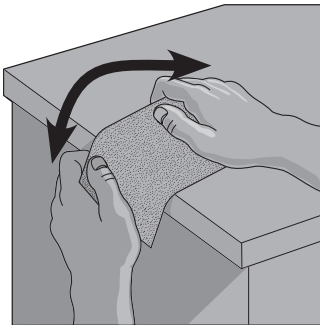


Figure 3

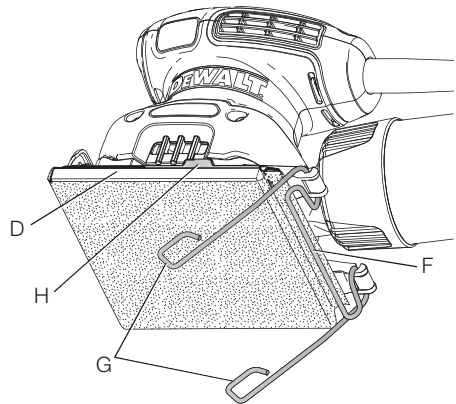


Figure 4

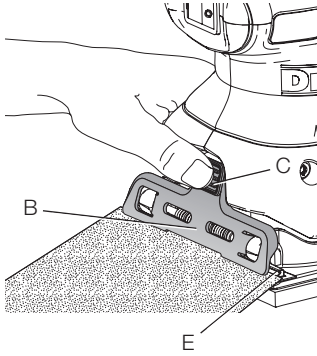


Figure 5

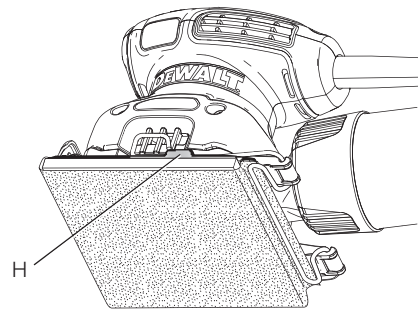


Figure 6

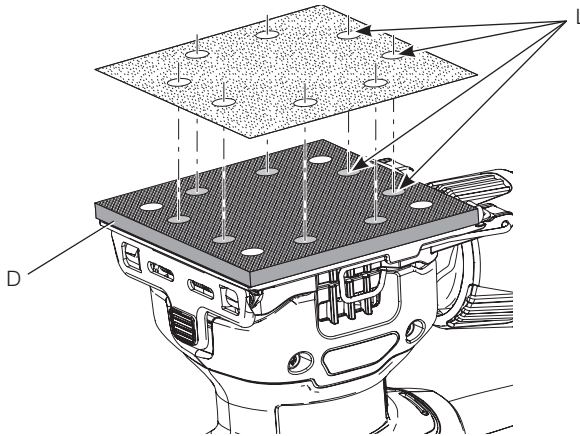


Figure 7

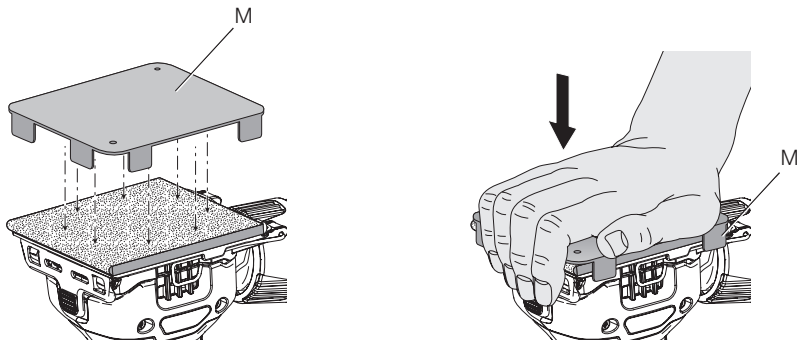


Figure 8

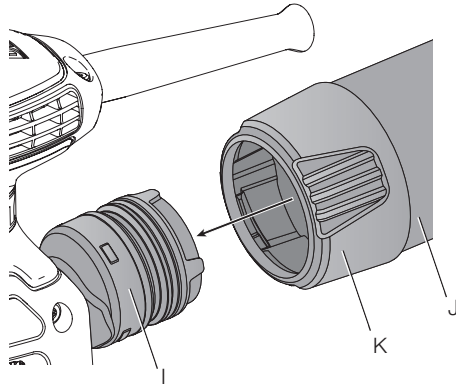


Figure 9A

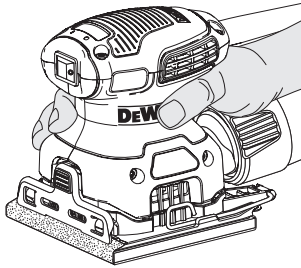
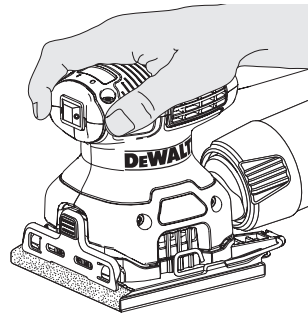


Figure 9B



# PALM GRIP SANDER DWE6411

## Congratulations!

You have chosen a DEWALT tool. Years of experience, thorough product development and innovation make DEWALT one of the most reliable partners for professional power tool users.

## Technical data

		DWE6411
Voltage	V <sub>AC</sub>	230
UK & Ireland	V <sub>AC</sub>	230/115
Type		1
Power input	W	230
Pad size	mm	108 x 115
Orbits	min <sup>-1</sup>	14,000
Orbit	mm	1.6
Weight	kg	1.28

Noise values and vibration values (tri-ax vector sum) according to EN60745-2-4:

L <sub>PA</sub> (emission sound pressure level)	dB(A)	82
L <sub>WA</sub> (sound power level)	dB(A)	93
K (uncertainty for the given sound level)	dB(A)	3

Vibration emission value a <sub>h</sub> =	m/s <sup>2</sup>	<4.0
Uncertainty K =	m/s <sup>2</sup>	1.5

The vibration emission level given in this information sheet has been measured in accordance with a standardised test given in EN60745 and may be used to compare one tool with another. It may be used for a preliminary assessment of exposure.



**WARNING:** The declared vibration emission level represents the main applications of the tool. However if the tool is used for different applications, with different accessories or poorly maintained, the vibration emission may differ. This may significantly increase the exposure level over the total working period.

An estimation of the level of exposure to vibration should also take into account the times when the tool is switched off or when it is running but not actually doing the job. This may significantly reduce the exposure level over the total working period.

Identify additional safety measures to protect the operator from the effects of vibration such as: maintain the tool and the accessories, keep the hands warm, organisation of work patterns.

## Fuses

Europe	230 V tools	10 Amperes, mains
U.K. & Ireland	230 V tools	13 Amperes, in plugs

## Definitions: Safety Guidelines

The definitions below describe the level of severity for each signal word. Please read the manual and pay attention to these symbols.



**DANGER:** Indicates an imminently hazardous situation which, if not avoided, **will** result in **death or serious injury**.



**WARNING:** Indicates a potentially hazardous situation which, if not avoided, **could** result in **death or serious injury**.



**CAUTION:** Indicates a potentially hazardous situation which, if not avoided, **may** result in **minor or moderate injury**.

**NOTICE:** Indicates a practice **not related to personal injury** which, if not avoided, **may** result in **property damage**.



Denotes risk of electric shock.



Denotes risk of fire.



Denotes risk of explosion.

## EC-Declaration of Conformity

### MACHINERY DIRECTIVE



### PALM GRIP SANDER DWE6411

DEWALT declares that these products described under **Technical Data** are in compliance with: 2006/42/EC, EN60745-1:2009 +A11:2010, EN60745-2-4:2009 +A11:2011.

These products also comply with Directive 2004/108/EC (until 19.04.2016), 2014/30/EU (from

20.04.2016) and 2011/65/EU. For more information, please contact DEWALT at the following address or refer to the back of the manual.

The undersigned is responsible for compilation of the technical file and makes this declaration on behalf of DEWALT.



Markus Rempel  
 Director Engineering  
 DEWALT, Richard-Klinger-Strasse 11,  
 D-65510, Idstein, Germany  
 25.09.2015



**WARNING:** To reduce the risk of injury, read the instruction manual.

## General Power Tool Safety Warnings



**WARNING! Read all safety warnings and instructions** Failure to follow the warnings and instructions may result in electric shock, fire and/or serious injury.

### SAVE ALL WARNINGS AND INSTRUCTIONS FOR FUTURE REFERENCE

The term "power tool" in the warnings refers to your mains-operated (corded) power tool or battery-operated (cordless) power tool.

#### 1) WORK AREA SAFETY

- Keep work area clean and well lit.** Cluttered or dark areas invite accidents.
- Do not operate power tools in explosive atmospheres, such as in the presence of flammable liquids, gases or dust.** Power tools create sparks which may ignite the dust or fumes.
- Keep children and bystanders away while operating a power tool.** Distractions can cause you to lose control.

#### 2) ELECTRICAL SAFETY

- Power tool plugs must match the outlet. Never modify the plug in any way. Do not use any adapter plugs with earthed (grounded) power tools.** Unmodified plugs and matching outlets will reduce risk of electric shock.
- Avoid body contact with earthed or grounded surfaces such as pipes, radiators, ranges and refrigerators.** There is an increased risk of electric shock if your body is earthed or grounded.
- Do not expose power tools to rain or wet conditions.** Water entering a power tool will increase the risk of electric shock.

- Do not abuse the cord. Never use the cord for carrying, pulling or unplugging the power tool. Keep cord away from heat, oil, sharp edges or moving parts.** Damaged or entangled cords increase the risk of electric shock.
- When operating a power tool outdoors, use an extension cord suitable for outdoor use.** Use of a cord suitable for outdoor use reduces the risk of electric shock.
- If operating a power tool in a damp location is unavoidable, use a residual current device (RCD) protected supply.** Use of an RCD reduces the risk of electric shock.

#### 3) PERSONAL SAFETY

- Stay alert, watch what you are doing and use common sense when operating a power tool. Do not use a power tool while you are tired or under the influence of drugs, alcohol or medication.** A moment of inattention while operating power tools may result in serious personal injury.
- Use personal protective equipment. Always wear eye protection.** Protective equipment such as dust mask, non-skid safety shoes, hard hat, or hearing protection used for appropriate conditions will reduce personal injuries.
- Prevent unintentional starting. Ensure the switch is in the off position before connecting to power source and/or battery pack, picking up or carrying the tool.** Carrying power tools with your finger on the switch or energising power tools that have the switch on invites accidents.
- Remove any adjusting key or wrench before turning the power tool on.** A wrench or a key left attached to a rotating part of the power tool may result in personal injury.
- Do not overreach. Keep proper footing and balance at all times.** This enables better control of the power tool in unexpected situations.
- Dress properly. Do not wear loose clothing or jewellery. Keep your hair, clothing and gloves away from moving parts.** Loose clothes, jewellery or long hair can be caught in moving parts.
- If devices are provided for the connection of dust extraction and collection facilities, ensure these are connected and properly used.** Use of dust collection can reduce dust-related hazards.

#### 4) POWER TOOL USE AND CARE

- Do not force the power tool. Use the correct power tool for your application.** The correct power tool will do the job

better and safer at the rate for which it was designed.

- b) **Do not use the power tool if the switch does not turn it on and off.** Any power tool that cannot be controlled with the switch is dangerous and must be repaired.
- c) **Disconnect the plug from the power source and/or the battery pack from the power tool before making any adjustments, changing accessories, or storing power tools.** Such preventive safety measures reduce the risk of starting the power tool accidentally.
- d) **Store idle power tools out of the reach of children and do not allow persons unfamiliar with the power tool or these instructions to operate the power tool.** Power tools are dangerous in the hands of untrained users.
- e) **Maintain power tools. Check for misalignment or binding of moving parts, breakage of parts and any other condition that may affect the power tool's operation. If damaged, have the power tool repaired before use.** Many accidents are caused by poorly maintained power tools.
- f) **Keep cutting tools sharp and clean.** Properly maintained cutting tools with sharp cutting edges are less likely to bind and are easier to control.
- g) **Use the power tool, accessories and tool bits etc., in accordance with these instructions taking into account the working conditions and the work to be performed.** Use of the power tool for operations different from those intended could result in a hazardous situation.

**5) SERVICE**

- a) **Have your power tool serviced by a qualified repair person using only identical replacement parts.** This will ensure that the safety of the power tool is maintained.

**Additional Specific Safety Rules for Sanders**



**WARNING:** Take special care when sanding some woods (e.g. beech, oak) and metal which may produce toxic dust. Wear a dust mask specifically designed for protection against toxic dust and fumes and ensure that persons within or entering the work area are also protected.



**WARNING:** Use this tool in a well-ventilated area when sanding ferrous metals. Do not operate the tool near flammable liquids, gases or dust. Sparks or hot particles from sanding

or arcing motor brushes may ignite combustible materials.



**WARNING:** We recommend the use of a residual current device with a residual current rating of 30mA or less.

**Sanding Paint**



**WARNING:** Observe the applicable regulations for sanding paint. Pay special attention to the following:

- Whenever possible, use a vacuum extractor for dust collection.
- Take special care when sanding paint which is possibly lead based:
  - Do not let children or pregnant women enter the work area.
  - All persons entering the work area should wear a mask specially designed for protection against lead paint dust and fumes.
  - Do not eat, drink or smoke in the work area.
- Dispose of dust particles and any other removal debris safely.

**Residual Risks**

In spite of the application of the relevant safety regulations and the implementation of safety devices, certain residual risks cannot be avoided. These are:

- Impairment of hearing.
- Risk of personal injury due flying particles.
- Risk of burns due to accessories becoming hot during operation.
- Risk of personal injury due to prolonged use.

**Markings on Tool**

The following pictograms are shown on the tool:



Read instruction manual before use.

**DATE CODE POSITION**

The Date Code, which also includes the year of manufacture, is printed into the housing.

Example:

2015 XX XX

Year of Manufacture

**Package Contents**

The package contains:

- 1 Palm grip sander
- 1 Dustbag

- 1 Sheet of sanding paper
- 1 Paper punch
- 1 Instruction manual
- Check for damage to the tool, parts or accessories which may have occurred during transport.
- Take the time to thoroughly read and understand this manual prior to operation.

## Description (Fig. 1)



**WARNING:** Never modify the power tool or any part of it. Damage or personal injury could result.

- |                        |                    |
|------------------------|--------------------|
| A. On/Off switch       | G. Side clamps     |
| B. Front paper clamp   | H. Holding tabs    |
| C. Front clamp button  | I. Vac-adaptor     |
| D. Base plate/pad      | J. Dust bag        |
| E. Paper-limiting ribs | K. Dust bag collar |
| F. Rear paper clamp    |                    |

### INTENDED USE

Your palm grip sander DWE6411 has been designed for sanding of wood, metal and plastics in a professional environment.

**DO NOT** use under wet conditions or in presence of flammable liquids or gases.

This sander is a professional power tool.

**DO NOT** let children come into contact with the tool. Supervision is required when inexperienced operators use this tool.

- **Young children and the infirm.** This appliance is not intended for use by young children or infirm persons without supervision.
- This product is not intended for use by persons (including children) suffering from diminished physical, sensory or mental abilities; lack of experience, knowledge or skills unless they are supervised by a person responsible for their safety. Children should never be left alone with this product.

## Electrical Safety

The electric motor has been designed for one voltage only. Always check that the power supply corresponds to the voltage on the rating plate.



Your DEWALT tool is double insulated in accordance with EN60745; therefore no earth wire is required.

If the supply cord is damaged, it must be replaced by a specially prepared cord available through the DEWALT service organisation.

## Mains Plug Replacement (U.K. & Ireland Only)

If a new mains plug needs to be fitted:

- Safely dispose of the old plug.
- Connect the brown lead to the live terminal in the plug.
- Connect the blue lead to the neutral terminal.



**WARNING:** No connection is to be made to the earth terminal.

Follow the fitting instructions supplied with good quality plugs. Recommended fuse: 13 A.

## Using an Extension Cable

If an extension cable is required, use an approved 3-core extension cable suitable for the power input of this tool (see **Technical Data**). The minimum conductor size is 1.5 mm<sup>2</sup>; the maximum length is 30 m.

When using a cable reel, always unwind the cable completely.

## ASSEMBLY AND ADJUSTMENTS



**WARNING:** To reduce the risk of injury, turn unit off and disconnect machine from power source before installing and removing accessories, before adjusting or changing set-ups or when making repairs. Be sure the trigger switch is in the OFF position. An accidental start-up can cause injury.

## Fitting Sanding Sheets (Fig. 2–6)

### FITTING REGULAR SANDING SHEETS (FIG. 2–5)

1. Soften the stiff sandpaper by pulling it over the 90° edge of a table or other straight edge, as shown in Figure 2. Concentrate on softening the edges to be clamped.
2. Release the rear paper clamp (F) by pulling up on the side clamp levers (G) and disengaging them from the tabs (H) on the base plate/pad (D) as shown in Figure 3.
3. Disengage the front paper clamp (B, Fig. 4) by applying and holding pressure on the front clamp button (C) while inserting the 115 mm (4-1/2") edge of the abrasive paper under the front paper clamp (B) until it hits the paper-limiting ribs (E). Release the front paper clamp to secure the front of the paper.
4. Stretch paper over the base plate/pad (D) and begin to pivot the rear paper clamp (F) around

to its locking position. Lock one side clamp lever (G) by placing it behind the tab (H, Fig. 5) on the base plate/pad (D) and then repeat with the second side clamp lever.

5. If you are using the dust extraction feature, perforate the sandpaper (see **Paper Punch**).

**FITTING HOOK AND LOOP SANDING SHEETS (FIG. 6)**

1. Place the tool on a table, base plate/pad (D) up.
2. Place the sanding sheet directly on top of the base plate/pad (D).
3. Hold the base plate/pad with one hand and align the dust extraction holes (L).
4. Press the sheet firmly onto the base plate/pad.

**Paper Punch (Fig. 7)**

A paper punch (M) is provided with your sander to let you perforate regular sandpaper to make dust collection possible.

**TO PERFORATE YOUR SANDPAPER**

Install the sandpaper on the tool as instructed in this manual. With the sander turned off and unplugged, place the paper punch on the paper so that the tabs at the edges of the punch are against any two adjacent sides of the sanding pad, as shown. Press the punch against the pad so that the 8 points penetrate the paper, as shown in Figure 7. (Press the punch into the pad as far as it will go.) Remove the paper punch and the paper is ready.

An alternate method of perforating the paper is to securely fasten the punch to a suitable work surface. Two holes are provided in the punch for this purpose. Use #8 flat head screws. Press the sander (with the paper attached) down on the punch.

**Dust Extraction (Fig. 1, 8)**



**WARNING:** Since woodworking with a sander produces dust, always install a dustbag designed in compliance with the applicable directives regarding dust emission.



**WARNING:** Do not use a dustbag or vacuum extractor without proper spark protection when sanding metal.

The tool is supplied with an adapter for connecting a dustbag or a vacuum extractor.

Your sander has a built-in vac-adapter (I) which allows either the supplied dust bag (J) or a shop vacuum system to be connected. The built-in outlet utilizes the DEWALT AirLock connection making it compatible with the DEWALT dust extractor.

**TO ATTACH THE DUST BAG**

1. While holding the sander, fit the dust bag collar (K) to the vac-adapter (I) as shown in Figure 8.

2. Turn the collar (K) clockwise to lock the dust bag (J) in place.

**TO EMPTY THE DUST BAG**

1. While holding the sander, turn the collar (K) anticlockwise to unlock the dust bag (J).
2. Remove dust bag from the sander and gently shake or tap the dust bag to empty.
3. Reattach the dust bag back onto the outlet and lock into place by turning the dust bag collar clockwise.

You may notice that all the dust will not come free from the bag. This will not affect sanding performance but will reduce the sander's dust collection efficiency. To restore your sander's dust collection efficiency, depress the spring inside the dust bag when you are emptying it and tap it on the side of the trash can or dust receptacle.

**OPERATION**

**Instructions for Use**



**WARNING:** Always observe the safety instructions and applicable regulations.



**WARNING:** To reduce the risk of injury, turn unit off and disconnect machine from power source before installing and removing accessories, before adjusting or changing set-ups or when making repairs. Be sure the trigger switch is in the OFF position. An accidental start-up can cause injury.



**WARNING:**

- Make sure all materials to be sanded are well secured.
- Apply only a gentle pressure to the workpiece. Excessive pressure does not improve the sanding effect, but only results in an increased load on the machine and causes the abrasive to tear.
- Avoid overloading.



**WARNING:** Do not sand magnesium!

**Proper Hand Position (Fig. 9A, 9B)**



**WARNING:** To reduce the risk of serious personal injury, ALWAYS use proper hand position as shown.



**WARNING:** To reduce the risk of serious personal injury, ALWAYS hold securely in anticipation of a sudden reaction.

Proper hand position requires one hand on the main handle or on the top of the unit as shown in Figures 9A and 9B.

## Switching On and Off (Fig. 1)

To switch the tool on, set the on/off switch (A) to position I.

To switch the tool off, set the on/off switch to position O.

## Sanding

1. Start with the coarsest grit size.
2. As the tool produces small scratch marks in all directions, it is not necessary to sand with the grain.
3. Check your work at short intervals.
4. Always switch off the tool when work is finished and before unplugging.

## MAINTENANCE

Your DEWALT power tool has been designed to operate over a long period of time with a minimum of maintenance. Continuous satisfactory operation depends upon proper tool care and regular cleaning.



**WARNING:** To reduce the risk of injury, turn unit off and disconnect machine from power source before installing and removing accessories, before adjusting or changing set-ups or when making repairs. Be sure the trigger switch is in the OFF position. An accidental start-up can cause injury.



## Lubrication

Your power tool requires no additional lubrication.



## Cleaning



**WARNING:** Blow dirt and dust out of the main housing with dry air as often as dirt is seen collecting in and around the air vents. Wear approved eye protection and approved dust mask when performing this procedure.



**WARNING:** Never use solvents or other harsh chemicals for cleaning the non-metallic parts of the tool. These chemicals may weaken the materials

*used in these parts. Use a cloth dampened only with water and mild soap. Never let any liquid get inside the tool; never immerse any part of the tool into a liquid.*

- After the tool is used in metal sanding applications without dustbag, clean the tool using low-pressure air.

## Optional Accessories



**WARNING:** Since accessories, other than those offered by DEWALT, have not been tested with this product, use of such accessories with this tool could be hazardous. To reduce the risk of injury, only DEWALT, recommended accessories should be used with this product.

Consult your dealer for further information on the appropriate accessories.

## Protecting the Environment



Separate collection. Products and batteries marked with this symbol must not be disposed of with normal household waste.

Products and batteries contain materials that can be recovered or recycled reducing the demand for raw materials. Please recycle electrical products and batteries according to local provisions. Further information is available at [www.2helpU.com](http://www.2helpU.com).

<b>Belgique et Luxembourg België en Luxemburg</b>	DEWALT - Belgium BVBA Egide Walschaertsstraat 16 2800 Mechelen	Tel: NL 32 15 47 37 63 Tel: FR 32 15 47 37 64 Fax: 32 15 47 37 99	www.dewalt.be enduser.BE@sbdinc.com
<b>Danmark</b>	DEWALT Roskildevej 22 2620 Albertslund	Tel: 70 20 15 10 Fax: 70 22 49 10	www.dewalt.dk kundeservice.dk@sbdinc.com
<b>Deutschland</b>	DEWALT Richard Klinger Str. 11 65510 Idstein	Tel: 06126-21-1 Fax: 06126-21-2770	www.dewalt.de infodwge@sbdinc.com
<b>Ελλάς</b>	DEWALT (Ελλάς) Α.Ε. ΕΔΡΑ-ΓΡΑΦΕΙΑ : Στρόβωνος 7 & Λ. Βουλιαγμένης, Γλυφάδα 166 74, Αθήνα SERVICE : Ημερος Τόπος 2 (Χάνι Αδάμ) – 193 00 Ασπρόπυργος	Τηλ: 00302108981616 Φαξ: 00302108983570	www.dewalt.gr Greece.Service@sbdinc.com
<b>España</b>	DEWALT Ibérica, S.C.A. Parc de Negocios "Mas Blau" Edificio Muntadas, c/Bergadá, 1, Of. A6 08820 El Prat de Llobregat (Barcelona)	Tel: 934 797 400 Fax: 934 797 419	www.dewalt.es respuesta.postventa@sbdinc.com
<b>France</b>	DEWALT 5, allée des Hêtres BP 30084, 69579 Limonest Cedex	Tel: 04 72 20 39 20 Fax: 04 72 20 39 00	www.dewalt.fr scufr@sbdinc.com
<b>Schweiz Suisse Svizzera</b>	DEWALT In der Luberzen 42 8902 Urdorf	Tel: 044 - 755 60 70 Fax: 044 - 730 70 67	www.dewalt.ch service@rofoag.ch
<b>Ireland</b>	DEWALT Calpe House Rock Hill Black Rock, Co. Dublin	Tel: 00353-2781800 Fax: 00353-2781811	www.dewalt.ie
<b>Italia</b>	DEWALT via Energypark 20871 Vimercate (MB), IT	Tel: 800-014353 39 039 9590200 Fax: 39 039 9590313	www.dewalt.it
<b>Nederlands</b>	DEWALT Netherlands BV Holtum Noordweg 35 6121 RE BORN, Postbus 83, 6120 AB BORN	Tel: 31 164 283 063 Fax: 31 164 283 200	www.dewalt.nl
<b>Norge</b>	DEWALT Postboks 4613, Nydalen 0405 Oslo	Tel: 45 25 13 00 Fax: 45 25 08 00	www.dewalt.no kundeservice.no@sbdinc.com
<b>Österreich</b>	DEWALT Werkzeug Vertriebsges m.b.H Oberlaaerstrasse 248, A-1230 Wien	Tel: 01 - 66116 - 0 Fax: 01 - 66116 - 614	www.dewalt.at service.austria@sbdinc.com
<b>Portugal</b>	DEWALT Limited, SARL Centro de Escritórios de Sintra Avenida Almirante Gago Coutinho, 132/134, Edifício 14 2710-418 Sintra	Tel: 214 66 75 00 Fax: 214 66 75 80	www.dewalt.pt resposta.posvenda@sbdinc.com
<b>Suomi</b>	DEWALT PL 47 00521 Helsinki	Puh: 010 400 4333 Faksi: 0800 411 340	www.dewalt.fi asiakaspalvelu.fi@sbdinc.com
<b>Sverige</b>	DEWALT Box 94 431 22 Mölndal	Tel: 031 68 61 60 Fax: 031 68 60 08	www.dewalt.se kundservice.se@sbdinc.com
<b>Türkiye</b>	KALE Hırdavat ve Makina A.Ş. Defterdar Mah. Savaklar Cad. No:15 Edimekapı / Eyüp / İSTANBUL 34050 TÜRKİYE	Tel: 0212 533 52 55 Faks: 0212 533 10 05	www.dewalt.com.tr
<b>United Kingdom</b>	DEWALT, 210 Bath Road; Slough, Berks SL1 3YD	Tel: 01753-567055 Fax: 01753-572112	www.dewalt.co.uk emeaservice@sbdinc.com
<b>Australia</b>	DEWALT 82 Taryn Drive, Epping VIC 3076 Australia	Tel: Aust 1800 338 002 Tel: NZ 0800 339 258	www.dewalt.com.au www.dewalt.co.nz
<b>Middle East Africa</b>	DEWALT P.O. Box - 17164, Jebel Ali Free Zone (South), Dubai, UAE	Tel: 971 4 812 7400 Fax: 971 4 2822765	www.dewalt.ae Service.MEA@sbdinc.com